

**9010**  
10.19

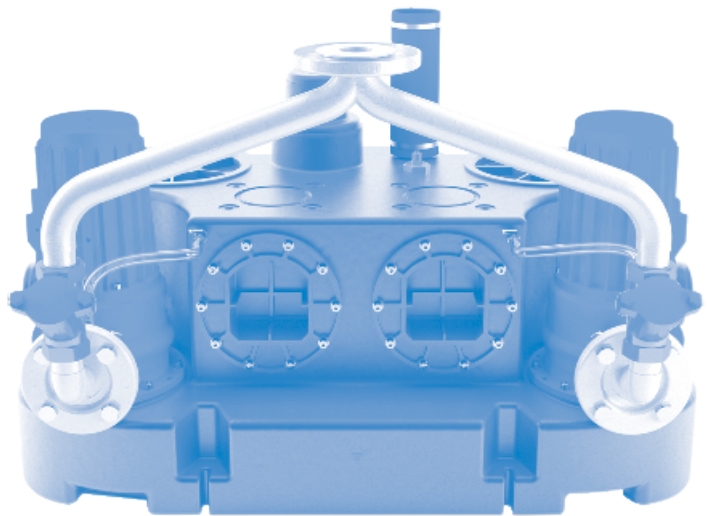
# SFA

## SANICUBIC® GR

### SANICUBIC® 1 GR



### SANICUBIC® 2 GR



- UK** Sewage Lifting unit with cutting system • Operation manual
- DE** Abwasserhebeanlagen mit Schneidwerk • Betriebsanleitung
- FR** Station de relevage des eaux usées à pompe dilacératrice • Mode d'emploi
- IT** Stazione di pompaggio acque reflue con trituratore • Istruzioni per l'uso

- NL** Afvalwater opvoerinstallaties met versnijder • Gebruikshandleiding
- ES** Equipos elevadores de aguas residuales con bomba trituradora • Manual de instrucciones
- PT** Unidades elevatórias de águas residuais com unidade de corte • Manual de instruções

<b>English</b> .....	<b>3</b>
<b>Deutsch</b> .....	<b>17</b>
<b>Français</b> .....	<b>32</b>
<b>Italiano</b> .....	<b>48</b>
<b>Nederlands</b> .....	<b>64</b>
<b>Español</b> .....	<b>80</b>
<b>Português</b> .....	<b>96</b>

# CONTENTS

<b>1. SAFETY</b> .....	<b>pg.4</b>
1.1 Marking of instructions in the operating manual .....	pg.4
1.2 Personnel qualifications and training .....	pg.5
1.3 Dangers from non-observance of the safety instructions .....	pg.5
1.4 Safety-awareness at work.....	pg.5
1.5 Safety instructions for the customer/operator .....	pg.5
1.6 Safety instructions for maintenance, inspection and assembly work.....	pg.5
1.7 Unauthorised re-equipping and spare-part production.....	pg.6
1.8 Prohibited methods of operation .....	pg.6
<b>2. GENERAL</b> .....	<b>pg.6</b>
2.1 Introduction .....	pg.6
2.2 Queries and orders .....	pg.6
2.3 Technical specifications .....	pg.7
2.4 Area of usage .....	pg.7
2.5 Scope of delivery .....	pg.7
<b>3. TRANSPORT AND INTERIM STORAGE</b> .....	<b>pg.7</b>
3.1 Transport.....	pg.7
3.2 Interim storage/conservation .....	pg.7
<b>4. DESCRIPTION</b> .....	<b>pg.8</b>
4.1 General .....	pg.8
4.2 Construction and work method .....	pg.8
<b>5. INSTALLATION</b> .....	<b>pg.8</b>
5.1 Preparations .....	pg.8
5.2 Assembly .....	pg.8
<b>6. INITIAL OPERATION</b> .....	<b>pg.9</b>
<b>7. MAINTENANCE/REPAIRS</b> .....	<b>pg.10</b>
7.1 Inspection and maintenance intervals .....	pg.10
7.2 Maintenance work .....	pg.10
<b>8. MALFUNCTIONS, CAUSES AND TROUBLESHOOTING</b> .....	<b>pg.10</b>
<b>9. WARRANTY</b> .....	<b>pg.11</b>
<b>10. TECHNICAL MODIFICATIONS</b> .....	<b>pg.11</b>
Appendix A: Main dimensions.....	pg.12
Appendix B: Power diagram .....	pg.14
Appendix C: Spare parts list .....	pg.14
Appendix D: Section diagram and spare parts list of the pump ..	pg.15

# 1. SAFETY

## WARNING

This device can be used by children who are at least 8 years old and by people with reduced physical, sensory or mental capacities or those without knowledge or experience, if they are properly supervised or if they have been given instructions on safely using the device and the associated risks have been understood. Children should not play with the device. Children should not clean or perform maintenance on the device without supervision.

## ELECTRICAL CONNECTIONS:

The electrical installation must be done by a qualified electrical engineer. The device's power supply must be connected to ground (class I) and protected by a high sensitivity differential circuit breaker (30 mA). Devices without plugs must be connected to a main switch on the power supply which disconnects all poles (contact separation distance of at least 3 mm). The connection must be used exclusively to provide the power to the product.

If the power cord is damaged, to prevent possible danger, it must be replaced by the manufacturer, customer service team or a similarly qualified individual.

This Operating Manual contains fundamental instructions that are to be observed when setting up, operating and maintaining the machine/system. Hence it is imperative that this Operating Manual be read by the technician and the responsible specialist personnel/operators before assembly and initial operation and be permanently available at the site of usage of the machine/system.

You are bound to observe not only the general safety instructions that can be found under the main point Safety, but also other special safety instructions added to other main points, for example for private usage

### 1.1 Labelling of notes in the operating instructions



#### **Danger**

This term defines a high risk of danger, which can lead to death or serious injury, if not avoided.



#### **Dangerous area**

This symbol characterises hazards that could lead to death or injury.



#### **Dangerous voltage**

This symbol characterises dangers associated with the voltage and provides information on voltage protection.

ATTENTION



#### **Property damage**

This symbol, in combination with the keyword **ATTENTION**, characterises dangers to the machine and its proper operation.

It is imperative to observe signs that are attached directly to the machine (for example, rotational direction arrow, sign for fluid connections) and they must be kept fully legible.

## **1.2 Personnel qualifications and training**

The personnel responsible for operating, maintaining, inspection and assembly of the machine/system must be appropriately qualified for whatever work they do. The customer is responsible for exactly regulating areas of responsibility, authority and monitoring of personnel. Should personnel not avail of the necessary knowledge, they are to be trained and instructed. This can be done, if necessary, by the manufacturer/supplier, on commission of the purchase of the machine. Furthermore, the customer has to ensure that the relevant personnel have fully understood the contents of the Operating Manual.

## **1.3 Dangers from non-observance of the safety instructions**

Non-observance of the safety instructions can result in danger to persons and damage to the environment and the machine. Non-observance of the safety instructions can lead to loss of any claims for damage compensation.

In detail, non-observance can for instance involve the following hazards :

- Failure of important machine/system functions
- Failure of prescribed methods for maintenance and repairs
- Danger to persons through electrical, mechanical and chemical hazards
- Danger to the environment through leakage of harmful substances

## **1.4 Safety-awareness at work**

The safety instructions described in this Operating Manual, the valid national regulations on accident prevention, and possible internal regulations of the customer on work, operation and safety are to be observed.

## **1.5 Safety instructions for the customer/operator**

- The possibility of hot or cold machinery means that parts could become a hazard, the customer has make provisions to avoid these parts being touched.
- Protective devices to prevent touching moving machinery (e.g. coupling) may not be removed from operating machines.
- Leakage (e.g. shaft seals) of dangerous conveyed products (e.g. explosive, poisonous, hot) has to be led off in such a way that there is no endangerment to persons or environment. Legal stipulations are to be maintained.
- Hazards through electric energy are to be eradicated (for details, see national regulations and those of the local power supply companies).

## **1.6 Safety instructions for maintenance, inspection and assembly work**

The customer has to ensure that all maintenance, inspection and assembly work is carried out by authorised and qualified specialist personnel, who have been sufficiently informed through relevant and adequate study of the Operating Manual.

Work on the machine is to be done on principle only when it is shut down. The procedure for shutting down the machine is described in the Operating Manual and is to be followed without deviation.

Pumps, or pump units that convey hazardous media have to be decontaminated. Immediately after finishing work, all safety and protective devices have to be re-attached and put into effect.

Prior to initial (re-)start-up, you are to take heed of the points listed in the section Initial Operation.

### 1.7 Unauthorised re-equipping and spare-part production

Re-equipment and modification of the machine are only permitted after consultation with the manufacturer. Original spare parts and accessories authorised by the manufacturer are all part of the safety strategy. Use of other parts can eliminate liability for the consequences that ensue.

### 1.8 Prohibited methods of operation

Operational safety of the delivered machine is only guaranteed when it is used appropriately according to Section 2 - *General* in the Operating Manual. The limit values specified in the data sheet may on no account be exceeded.

## 2. GENERAL

### 2.1 Introduction

This Operating Manual applies to the effluent lifting units with cutting unit pump(s) of the SANICUBIC® GR production series.

**The warranty automatically expires if the Operating Manual is not observed - especially the safety instructions - and also if the device undergoes unauthorised re-equipping, or if non-original spare parts are installed into it. The manufacturer is not liable for any damage resulting from this!**

**As with other electrical devices, this product is also liable to fail through lack of main power supply or a technical defect. Damage may ensue for you for these reasons, you should plan an emergency power supply unit according to usage, a manual diaphragm pump, a second system (double system) and/or an alarm unit independent of the mains. As manufacturers, we are happy to advise you at any time, also after purchase. Please consult your dealers in case of any defects or in case of damage.**

### Products in the range :

SANICUBIC® 1 GR SE71.1 S	SANICUBIC® 2 GR SE71.1 T
SANICUBIC® 1 GR SE71.1 T	SANICUBIC® 2 GR SE71.2 T
SANICUBIC® 1 GR SE71.2 T	SANICUBIC® 2 GR SE71.3 T
SANICUBIC® 1 GR SE71.3 T	SANICUBIC® 2 GR SE71.4 T
SANICUBIC® 1 GR SE71.4 T	

### 2.2 Queries and orders

Please send your queries and orders to your specialist dealer.

## 2.3 Technical specifications

### Power specifications

Typ SANICUBIC® GR	Power P1 [kW]	Power P2 [kW]	Voltage U [V]	Power reception I <sub>n</sub> [A]	Rotational speed [n <sup>-1</sup> ]	Flage Pump	Inlet	Inlet height h [mm]
SE71.1 S	2,2	1,7	230	10,5	2 800	DN 50	single unit: DN 100 DN 50/100	250 576
SE71.1 T	2,1	1,7	400	3,7	2 800	DN 50		
SE71.2 T	2,1	1,7	400	3,7	2 800	DN 50		
SE71.3 T	3,9	3,2	400	6,5	2 800	DN 50	double unit: DN 100 DN 100/150	250 586
SE71.4 T	3,9	3,2	400	6,5	2 800	DN 50		

Maximum medium temperature: 55°C

### Materials

<b>Container</b>	PE HD	<b>Cutting blade</b>	Stainless steel
<b>Pump housing</b>	GG 20	<b>Motor shaft</b>	Stainless steel
<b>Rotor</b>	GG 20	<b>Seals</b>	NBR, FPM
<b>Seal supports</b>	GG 20	<b>Axial face seals</b>	SiC (silicon carbide)
<b>Cutting flange</b>	Stainless steel		

### 2.4 Area of usage

The effluent lifting units of the SANICUBIC® GR production series are used for the disposal (collection and conveying) of domestic and industrial effluent that develops underneath the canal backflow level. The model with cutting unit pumps enables pumping off over greater conveying heights and pressure main lengths. The pressure main may be laid at a dimension of DN 50.

Double systems are used wherever an interruption of the effluent disposal system is not permitted to occur, in terms of DIN 1986.

### 2.5 Scope of delivery

The effluent lifting units of the SANICUBIC® GR production series are delivered with:

- assembled cutting unit pump(s) of the SANIPUMP® ZFS 71 production series
- connection for emergency evacuation
- pneumatic control and switch boxes
- inflow bend DN 100
- flexible connection for ventilation of the collection chamber
- pressure decrease bend DN 50
- back-kick flap(s) DN 50
- forked pipe DN 50/50/50 (only for double system)

## 3. TRANSPORT AND INTERIM STORAGE

### 3.1 Transport

The effluent lifting units of the SANICUBIC® GR production series may not be thrown or dropped. Moreover, they are to be transported in a horizontal position.

### 3.2 Interim storage/conservation

The machine can be kept in interim storage and conserved in a cool, dark, dry and frost-free site. The systems should stand in horizontal position.

## 4. DESCRIPTION

### 4.1 General

The effluent lifting units of the SANICUBIC® GR production series are single systems that are ready to plug in and safe against flooding, with collection chambers made of gas- and odour-proof plastic. They work with vertical cutting unit pumps with automatic pneumatic level control. They are completely equipped with switch boxes and all necessary switching elements.

### 4.2 Construction and work method

The effluent falls into the collection chamber of the SANICUBIC® GR effluent lifting unit through the DN 100 (HT pipe) inflow.

The water rises in the back-up pipe screwed onto the top side of the chamber and compresses the air located in the back-up pipe until the pressure activates the banking up pressure switch in the switch box. This switches on the pump and conveys the water out of the chamber via the pressure main in the canal lying above.

The back-kick flaps in the pressure main prevent the return flow of the water from the pressure main into the chamber.

The switching system is provided with an acoustic alarm which is activated when the pump(s) fail(s) or when the supply flow is too strong. The motor is automatically switched off at overload (excessive current consumption or excessive coil temperature).

## 5. INSTALLATION

### 5.1 Preparations

A fault-free operation of the lifting unit is not least dependent on a correct and flawless assembly. For this reason you have to note the following points:

- The set-up site should be a room that is well ventilated, dry and free of frost.
- The set-up site must be sufficient in dimensions. The height of the room should be around 2 to 2.5 m. According to DIN 1986 (German standard) part 3: "...All system parts...(and)... all operating elements... have to be accessible at all times and be operable without difficulties. ...These system parts are not to be blocked by stored commodities, furniture, cladding, casings and so forth..."
- The substructure of the set-up site is to be designed to bear the potential loads, depending on system size.
- Lower interior spaces tend to collect water from the water table or percolation water. Therefore there should be a small tank in the corner of the room, where these liquids collect and can be disposed of with a cellar drainage pump.
- A hook in the ceiling above the set-up site of the lifting unit facilitates assembly and potential maintenance and repair work on the pump.
- Prior to assembly, all construction and connection measurements should be checked and compared with the dimensions of the system. Here you should pay special attention that the constantly downward-inclining supply connection never lies lower than the inflow height of the collection chamber.

### 5.2 Assembly

Pay urgent heed during assembly to a voltage-free and leak-proof installation of the pipelines and fittings.

#### 5.2.1 Set-up

The effluent lifting units of the SANICUBIC® GR production series are aligned on the set-up site according to whatever pipelines are provided. It is set up horizontally and fastened to the floor by means of the fixing screws supplied in delivery.

DIN 19 760 (German standrad) Part 1: "...The excrement lifting installation is to be designed so that distortion and buoying upwards caused by fixing devices are avoided ..."



### 5.2.2 Supply

The supply connection is attached at the inflow bend supplied in delivery (single system) or directly onto the chamber (double system). It must always lie at a downward incline. Ascending stretches along the supply line are prohibited.

#### IMPORTANT:

When using the minimum supply height of 250 mm, note that the level control system is adjusted so that during normal operation the water level in the chamber rises a little above the lower edge until the supply pipe is filled to a maximum of  $\frac{1}{2}$  before the pump switches on. Hence, a corresponding water level adjusts for all pipes that are connected lower. This may mean that dirt deposits cannot be excluded in supply lines in this area and in extreme cases may cause a stoppage of the pipe.

### 5.2.3 Pressure main

A bend DN 50, 90° is mounted as standard on the horizontal pressure discharge of the pump, which ends in a vertical direction drilled with 5/4" internal thread.

The installation back-kick flaps is imperative in the pressure main of the lifting unit. DIN 19 760 (German standard) Part 3: "...After interruption of the supply flow, back-flow inhibitors have to prevent back-flow of the effluent from the pressure main automatically. When the inflow supply starts, the back-flow inhibitor must open automatically..."

We thus recommend the installation of a gate valve behind the back-kick flap, to facilitate any cleaning or exchange of the back-kick flap.

The pressure main has to ascend continuously and without unnecessary jumps in a bend above the backflow level and then fall continuously to the canal connection. Pipe connection and fittings may have to be supported with pipe clips or brackets.

### 5.2.4 Ventilation

The chamber ventilation system DN 65 is either connected directly to the ventilation pipe of the building or separately installed via the roof.

### 5.2.5 Electrical Connection

The switch box has to be attached in such a way that the pneumatic hose for the pneumatic level control system lies at a continuous ascending incline. Only thus can a fault-free function of the automatic control system be guaranteed. The system plug (CEE, shockproof socket for single systems) is plugged in directly before initial operation. Pay heed at this point that the electrical system corresponds to the valid directives. The mains supply for double systems is designed according to the circuit diagram.

The circuit diagram for wiring the lifting unit is in the switch box and should be left there for the convenience of the maintenance and customer service personnel.

## 6. INITIAL OPERATION

Prior to initial operation, all connections should be checked once more for correct assembly, the gate valve must be open.

Now insert the plug into the socket and, for rotary current systems, check the rotational direction of the pump. This can be done by setting the manual/0/automatic switch briefly to "Manual". When the motor runs down, the rotational direction seen at the viewing port on the top side can be compared with the correct rotational direction (rotational direction arrow). Should the pump be running in a reverse direction, two of the three phases have to be exchanged.

 **DANGER**



**Disconnect the lifting station from the mains electricity before you do any work to the system !**

Now set the manual/0/automatic switch to "Automatic" and do a trial run. To do this, the collection chamber is filled through the normal inflow (washbasin, toilet, etc.). The system has to switch on automatically, pump the chamber empty and switch on again. After switch-off, no water may run back into the chamber from the pressure main.

Correct the follow-up time according to installation conditions and conveying height so that the pump evacuates the collection chamber to a maximum and only runs dry for a short time (loud noise when pumping). The back-flow pipe may no longer be immersed into the liquid after the pumping process is finished. The follow-up time can be changed by means of the digital potentiometer on the switch device. During the trial run, recheck all connections and fittings for leakage and re-seal where necessary. If the lifting unit is running properly, the switch remains in the "Automatic" setting.

## 7. MAINTENANCE / REPAIRS

### 7.1 Inspection and maintenance intervals

Inspection and maintenance intervals according to DIN 1986 (German standard) Part 31: "Effluent lifting installations should be checked once a month by the customer by monitoring one switching cycle for operational capability and leakage...The system is to be serviced by a specialist. Inspection and maintenance intervals should be no longer than :

- 3 months for systems in commercial operations
- 6 months for systems in multiple family residences
- 1 year for systems in single family houses"

### 7.2 Maintenance work

 **DANGER**



**Disconnect the lifting station from the mains electricity before you do any work to the system !**

#### 7.2.1 Collection chambers

Open the inspection lid and spray out the chamber with a hose to remove dirt layers on the chamber walls.

#### 7.2.2 Back-kick flap

Open the inspection lid and clean the back-kick flap from within.

#### 7.2.3 Other

All other maintenance work has to be carried out by the customer service department.

## 8. MALFUNCTIONS, CAUSES AND TROUBLESHOOTING

 **DANGER**



**Disconnect the lifting station from the mains electricity before you do any work to the system !**

<b>Fault</b>	<b>Cause</b>	<b>Elimination</b>
1. Motor is not running	<ul style="list-style-type: none"> <li>- Voltage too low, lack of voltage</li> <li>- Wrong power connection</li> <li>- Electric cable defective</li>   <li>- Fault at condenser</li>   <li>- Rotor blocked</li> <li>- Motor protection system switched off because of overheating, blocking, voltage error</li> <li>- Control system error / Pressure switch defective</li> <li>- Pneumatic hose or connection leaking</li> <li>- Motor defective</li> </ul>	<ul style="list-style-type: none"> <li>- Check main supply</li> <li>- Correction</li> <li>- Replacement/ Customer service department</li> <li>- Replacement/ Customer service department</li> <li>- Clean</li> <li>- Check/Customer service department</li> <li>- Check/Customer service department</li> <li>- Check/Replace</li> <li>- Replacement/ Customer service department</li> </ul>
2. Motor running but is not conveying	<ul style="list-style-type: none"> <li>- Rotor stopped up or worn</li> <li>- Back-kick flap fowled up</li> <li>- Gate valve fowled up or closed</li> <li>- Pressure main fowled up</li> <li>- Suction joints fowled up</li> <li>- Rotational direction wrong</li> <li>- Lack of water in the chamber</li>   <li>- Chamber ventilation stopped up</li> <li>- Pump housing ventilation stopped up</li> </ul>	<ul style="list-style-type: none"> <li>- Clean/replace</li> <li>- Clean</li> <li>- Clean/open</li> <li>- Clean</li> <li>- Clean</li> <li>- Correction</li> <li>- Switch off/ Customer service department</li> <li>- Clean</li> <li>- Clean</li> </ul>
3. Motor runs then switches off	<ul style="list-style-type: none"> <li>- Voltage error, or fluctuates</li>   <li>- Thermo-protection wrongly set</li>   <li>- Current consumption too high</li> </ul>	<ul style="list-style-type: none"> <li>- Correction/Customer service department</li> <li>- Check/Customer service department</li> <li>- Customer service department</li> </ul>
4. Motor does not switch off	<ul style="list-style-type: none"> <li>- Control system fault</li> <li>- Pressure switch function not in order</li> </ul>	<ul style="list-style-type: none"> <li>- Customer service department</li> <li>- Replacement/ Customer service department</li> </ul>

## **9. WARRANTY**

As manufacturer, we assume a warranty for this device for 24 months as of purchase date if lifting station has been correctly installed as per the installation instructions.

The legal document certifying this is your purchase invoice. Within this warranty term we eliminate by repair or replacement according to our option all deficiencies caused by material or manufacturing faults.

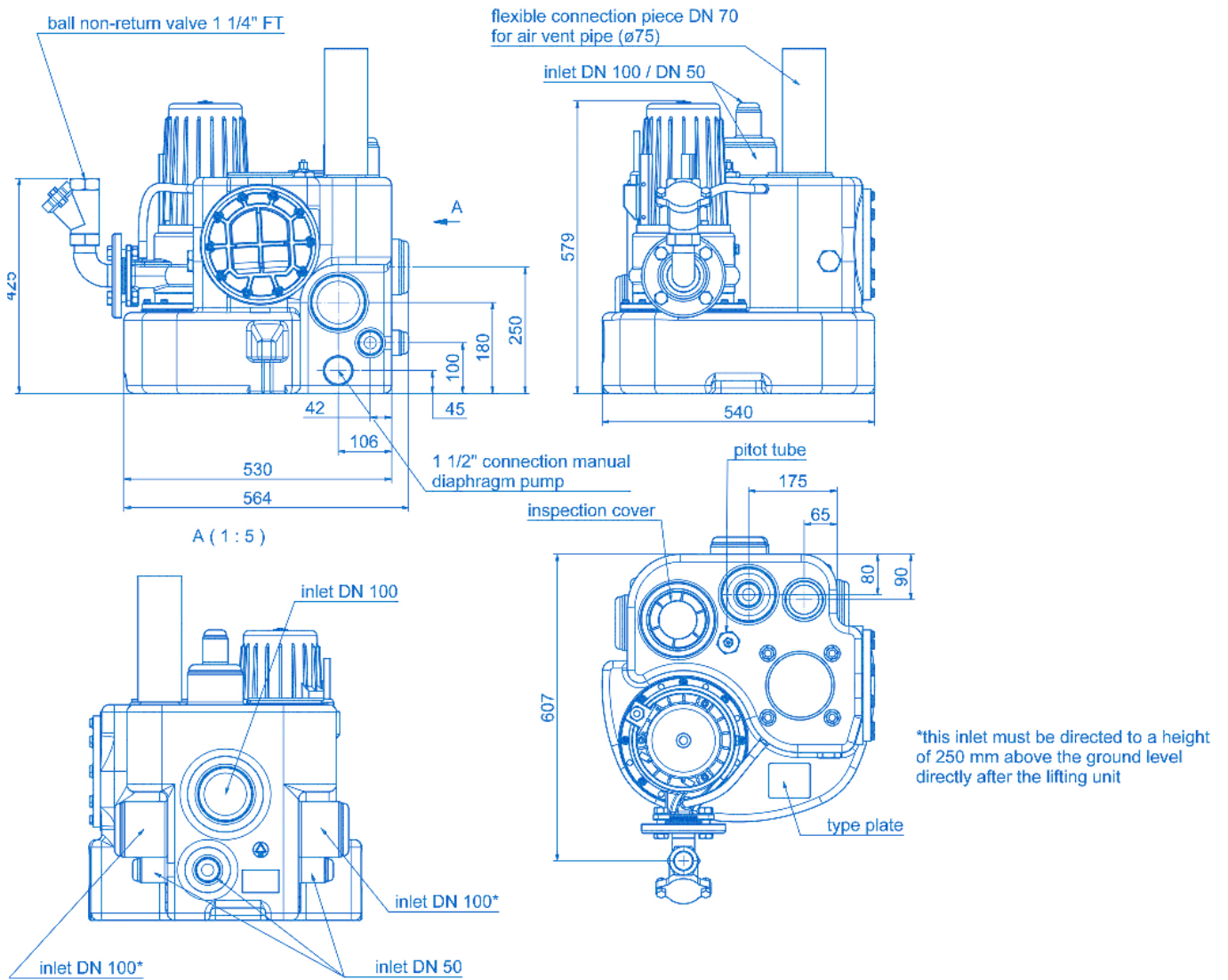
Excluded from the warranty is damage that is caused by inappropriate use and wear and tear. We are not liable for damage consequent to a failure of the device.

## **10. TECHNICAL MODIFICATIONS**

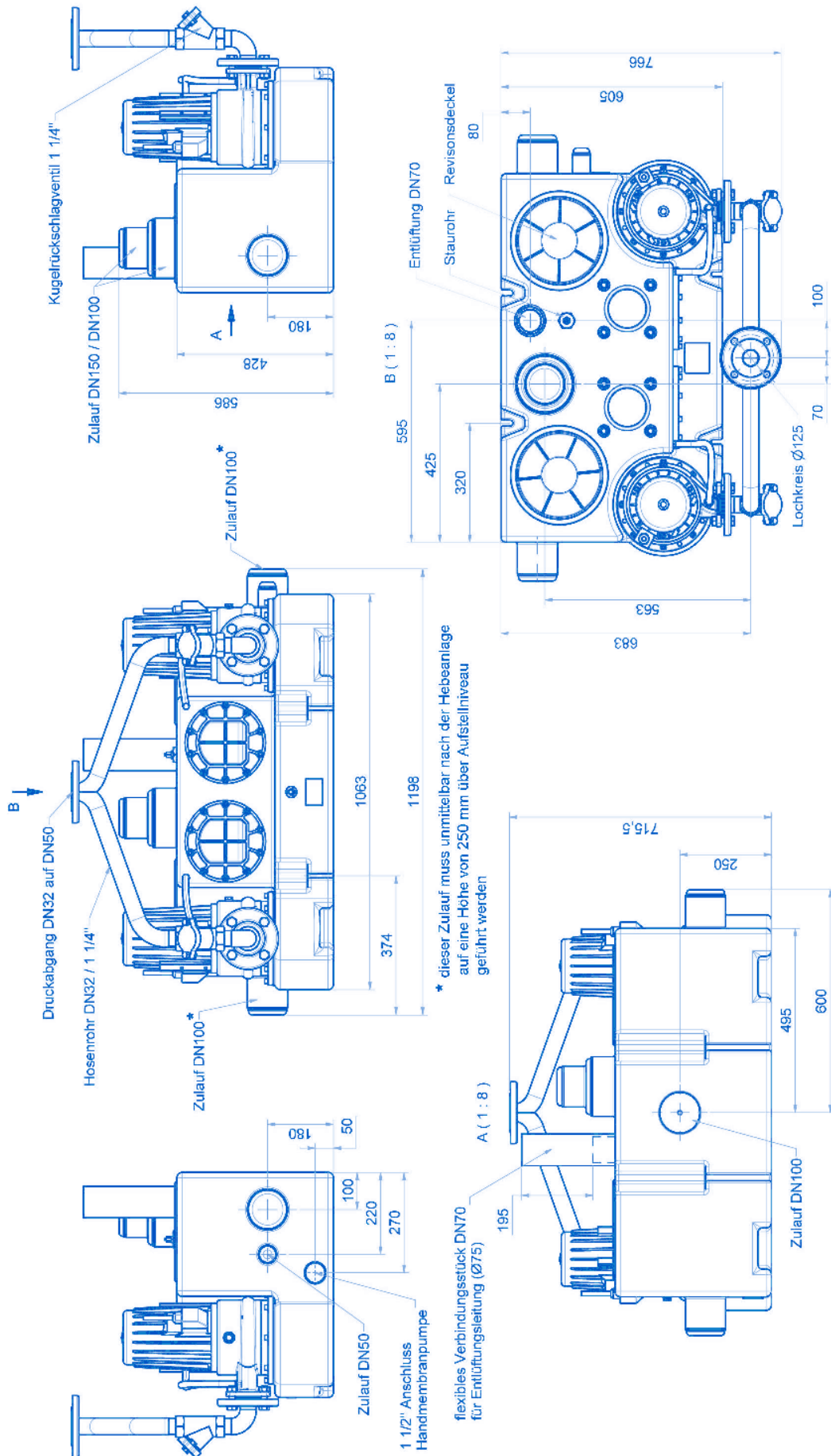
We reserve all rights for technical modifications in terms of further development.

# Appendix A : Main dimensions

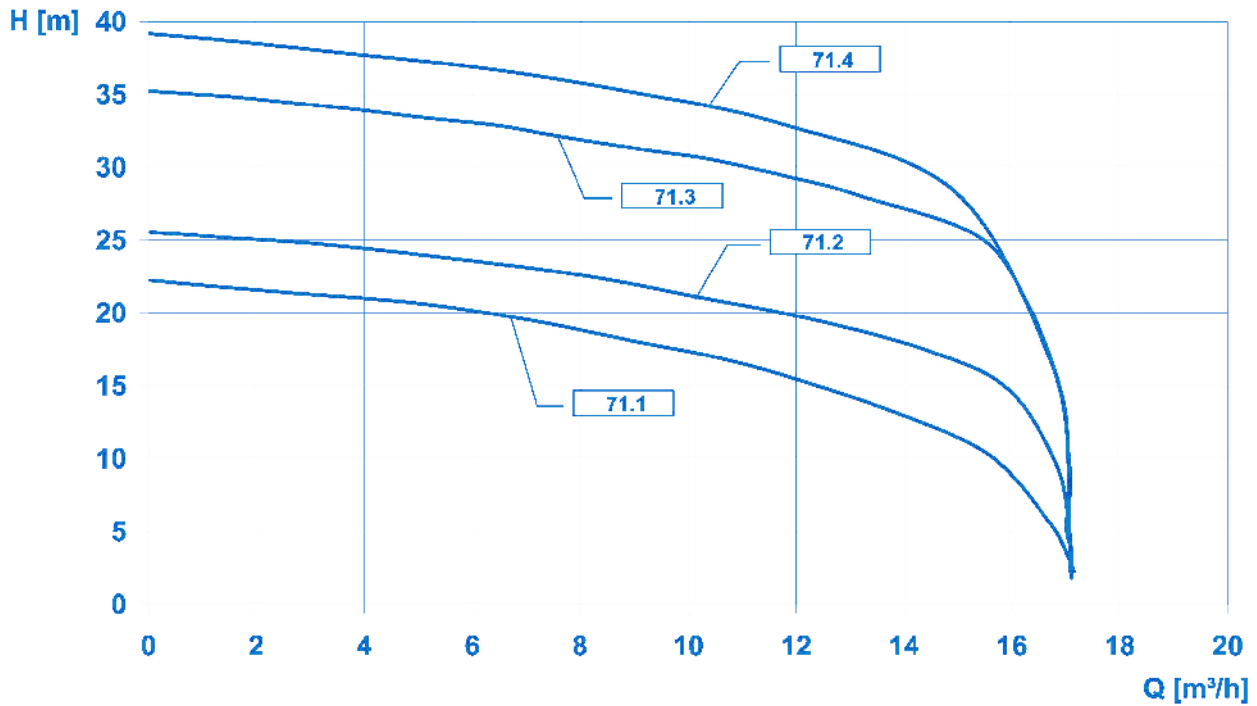
## SANICUBIC® 1 GR



# SANICUBIC® 2 GR



## Appendix B : Power diagram

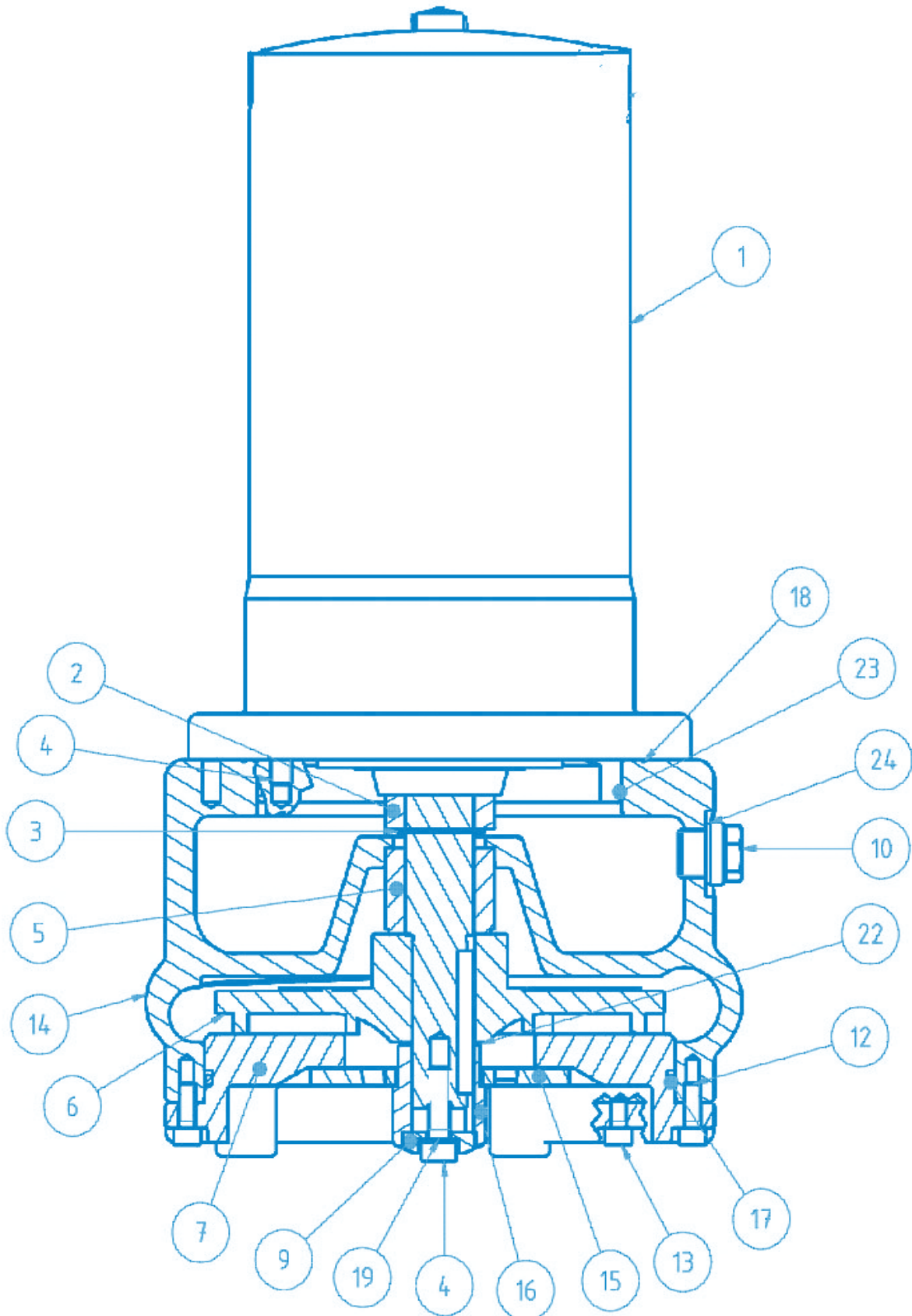


## Appendix C : Spare parts list

Pos.	Item	Designation	Article no.
	1	Chamber SANICUBIC® GR SE 71	117337
	(1)	Chamber SANICUBIC® 2 GR SE 71	
	1 (2)	Suction nozzle SANICUBIC® GR SE 71	17481
	1 (2)	Hose nozzle straight R 3/8"	117191
	1	Pitot tube complete	60219
	1	Inspection cover with sealing	117012
	(2)	Inspection cover duplex unit	
	(2)	Sealing for inspection cover duplex unit	
	1	Switchgear SANICUBIC® GR SE 71 230 V	200102
	1	Switchgear SANICUBIC® GR SE 71 400 V	255302
	(1)	Switchgear SANICUBIC® 2 GR SE 71 400 V	

# Appendix D: Section diagram and spare parts list of the pump

## Section diagram



## Spare parts list, pump

Pos.	Art. Nr.	Designation	Quantity
	17749	Pump for SANICUBIC® 1 GR SE71.1 S	1
	17463	Pump for SANICUBIC® GR SE71.1 T	1 (2)
	17562	Pump for SANICUBIC® GR SE71.2 T	1 (2)
	17563	Pump for SANICUBIC® GR SE71.3 T	1 (2)
	17564	Pump for SANICUBIC® GR SE71.4 T	1 (2)
1	17587	Pot-type motor SANICUBIC® 1 GR SE71.1 S	1
1	17586	Pot-type motor SANICUBIC® GR SE71.1 T and SE71.2 T	1
1	17588	Pot-type motor SANICUBIC® GR SE71.3 T and SE71.4 T	1
2	17356	GLRD LD1/25-G38 motor side	1
3	11679	Securing collar DIN471-A25x1,2	1
4	16381	Hexagonal socket head screw M8x25-A2	5
5	17377	GLRD MG1/25-G6 medium side	1
6	17373	Impeller SANIPUMP® ZFS 71.1 Ø135	1
6	17371	Impeller SANIPUMP® ZFS 71.2 Ø145	1
6	17372	Impeller SANIPUMP® ZFS 71.3 Ø160	1
6	17351	Impeller SANIPUMP® ZFS 71.4 Ø170	1
7	17391	Cover SANIPUMP® ZFS 71 for tank top mounting	1
8	17109	Countersunk screw M5x10-A2 DIN965	3
9	17352	Knife fitting SANIPUMP® ZFS 71	1
10	11640	Sealing screw, bea. G 3/8 (Entlüftung)	1
10	11639	Sealing screw G3/8 DIN910 (Öl)	1
11	11663	Ring screw DIN 580-M8-A2	1
12	15320	Hexagonal socket head screw M6x20-A2	4
13	10008	Hexagonal socket head screw M6x10-A2	4
14	17355	Pump housing SANIPUMP® ZFS 71	1
15	17353	Cutting plate SANIPUMP® ZFS 71	1
16	17354	Cutting knife SANIPUMP® ZFS 71	1
17	11822	O-ring 160 x 3,5-NBR70	1
18	11629	O-ring 147 x 3	1
19	11672	Sealing ring 8x14x1 Cu	1
20	11659	Handle	1
21	10666	Hexagonal socket head screw M6x12-A2 DIN 912	2
22	17375	Shim ring 10x30x0,1 1.4301	2
22	17376	Shim ring 10x30x0,5 1.4301	2
23	11656	O-ring 125x2-NBR70	1
24	11646	Sealing ring 17x22x1,5 Cu for Pos 230	2
70	11645	Tooth lock washers S8x13x0,8 A2	4
	11690	Wisura technical white oil NFW	0,4L



<b>1. SICHERHEIT</b> .....	<b>S.18</b>
1.1 Kennzeichnung von Hinweisen in der Betriebsanleitung .....	S.18
1.2 Personalqualifikation und Schulung .....	S.19
1.3 Gefahren bei Nichtbeachtung der Sicherheitshinweise.....	S.19
1.4 Sicherheitsbewußtes Arbeiten .....	S.19
1.5 Sicherheitshinweise für den Betreiber / Bediener .....	S.19
1.6 Sicherheitshinweise für Wartungs-, Inspektions- und Montagearbeiten	S.19
1.7 Eigenmächtiger Umbau und Ersatzteillherstellung .....	S.20
1.8 Unzulässige Betriebsweisen .....	S.20
<b>2. ALLGEMEINES</b> .....	<b>S.20</b>
2.1 Einleitung .....	S.20
2.2 Anfragen und Bestellungen.....	S.20
2.3 Technische Daten .....	S.21
2.4 Einsatzbereich .....	S.21
2.5 Lieferumfang .....	S.21
<b>3. TRANSPORT UND ZWISCHENLAGERUNG</b> .....	<b>S.22</b>
3.1 Transport.....	S.22
3.2 Zwischenlagerung/Konservierung .....	S.22
<b>4. BESCHREIBUNG</b> .....	<b>S.22</b>
4.1 Allgemeines .....	S.22
4.2 Aufbau und Arbeitsweise .....	S.22
<b>5. INSTALLATION</b> .....	<b>S.22</b>
5.1 Vorbereitung.....	S.22
5.2 Montage .....	S.23
<b>6. INBETRIEBNAHME</b> .....	<b>S.24</b>
<b>7. WARTUNG/INSTANDHALTUNG</b> .....	<b>S.25</b>
7.1 Inspektions- und Wartungsintervalle .....	S.25
7.2 Wartungsarbeiten .....	S.25
<b>8. STÖRUNGEN; URSACHEN UND BESEITIGUNG</b> .....	<b>S.26</b>
<b>9. GEWÄHRLEISTUNG</b> .....	<b>S.26</b>
<b>10. TECHNISCHE ÄNDERUNGEN</b> .....	<b>S.26</b>
Anhang A: Hauptabmessungen .....	S.27
Anhang B: Leistungsdiagramm .....	S.29
Anhang C: Ersatzteilliste.....	S.29
Anhang D: Schnittzeichnung und Ersatzteilliste der Pumpe .....	S.30

# 1. SICHERHEIT

( aus: "VDMA-Einheitsblatt 24 292" )

## ACHTUNG

Dieses Gerät darf von Kindern im Alter von mindestens 8 Jahren und von Personen mit eingeschränkten physischen, sensorischen und mentalen Fähigkeiten sowie von Personen ohne Erfahrung und Kenntnisse der Bedienung nur unter der Voraussetzung benutzt werden, dass sie ordnungsgemäß beaufsichtigt werden und in die sichere Bedienung des Geräts eingewiesen wurden und dass sie die möglichen Risiken verstanden haben. Kinder dürfen nicht mit dem Gerät spielen. Die Reinigung und Wartung durch den Nutzer darf nicht von unbeaufsichtigten Kindern durchgeführt werden.

## STROMANSCHLUSS :

Die elektrische Montage muss von einem Elektrotechniker realisiert werden. Die Versorgungsleitung des Geräts muss geerdet (Klasse I) und durch einen hochempfindlichen Schutzschalter (30 mA) geschützt sein. Geräte ohne Steckdose müssen an einen Hauptschalter an das Stromnetz angeschlossen werden, der die Trennung aller Pole gewährleistet (mindestens 3 mm Kontaktabstand). Der Anschluss darf ausschließlich der Stromzufuhr des Geräts dienen.

Wenn das Stromkabel beschädigt ist, muss es vom Hersteller, seinem Kundendienst oder ähnlich qualifiziertem Fachpersonal ersetzt werden, um Gefahren zu vermeiden.

Diese Betriebsanleitung enthält grundlegende Hinweise, die bei Aufstellung, Betrieb und Wartung zu beachten sind. Daher ist diese Betriebsanleitung unbedingt vor Montage und Inbetriebnahme vom Monteur sowie dem zuständigen Fachpersonal/Betreiber zu lesen und muß ständig am Einsatzort der Maschine/Anlage verfügbar sein.

Es sind nicht nur die unter diesem Hauptpunkt Sicherheit aufgeführten, allgemeinen Sicherheitshinweise zu beachten, sondern auch die unter anderen Hauptpunkten eingefügten, speziellen Sicherheitshinweise, so z.B. für den privaten Gebrauch.

## 1.1 Kennzeichnung von Hinweisen in der Betriebsanleitung



### Gefahr

Dieser Begriff definiert eine Gefahr mit erhöhtem Risiko, das zum Tod oder schweren Verletzungen führen kann, wenn sie nicht vermieden wird.



### Gefahrenbereich

Dieses Symbol warnt in Kombination mit einem Schlüsselwort vor Gefahren, die zum Tod oder zu Verletzungen führen können.



### Gefährliche elektrische Spannung

Dieses Symbol warnt in Kombination mit einem Schlüsselwort vor Gefahren der elektrischen Spannung und informiert über den Schutz vor elektrischer Spannung.

ACHTUNG



### Sachschäden

Dieses Symbol warnt in Kombination mit dem Schlüsselwort **ACHTUNG** vor Gefahren für die Maschine.

Direkt an der Maschine angebrachte Hinweise wie z.B. drehrichtungspfeil, kennzeichen der Fluidanschlüsse, müssen unbedingt beachtet und in vollständig lesbarem Zustand gehalten werden.

## **1.2 Personalqualifikation und Schulung**

Das Personal für Bedienung, Wartung, Inspektion und Montage muß die entsprechende Qualifikation für diese Arbeiten aufweisen. Verantwortungsbereich, Zuständigkeit und die Überwachung des Personals müssen durch den Betreiber genau geregelt sein. Liegen bei dem Personal nicht die notwendigen Kenntnisse vor, so ist dieses zu schulen und zu unterweisen. Dies kann, falls erforderlich, im Auftrag des Betreibers der Maschine durch den Hersteller/Lieferer erfolgen. Weiterhin ist durch den Betreiber sicherzustellen, daß der Inhalt der Betriebsanleitung durch das Personal voll verstanden wird.

## **1.3 Gefahren bei Nichtbeachtung der Sicherheitshinweise**

Die Nichtbeachtung der Sicherheitshinweise kann sowohl eine Gefährdung für Personen als auch für Umwelt und Maschine zur Folge haben. Die Nichtbeachtung der Sicherheitshinweise kann zum Verlust jeglicher Schadensersatzansprüche führen:

Im Einzelnen kann Nichtbeachtung beispielsweise folgende Gefährdungen nach sich ziehen:

- Versagen wichtiger Funktionen der Maschine/Anlage
- Versagen vorgeschriebener Methoden zur Wartung und Instandhaltung
- Gefährdung von Personen durch elektrische, mechanische und chemische Einwirkungen
- Gefährdung der Umwelt durch Leckage von gefährlichen Stoffen.

## **1.4 Sicherheitsbewußtes Arbeiten**

Die in dieser Betriebsanleitung aufgeführten Sicherheitshinweise, die bestehenden nationalen Vorschriften zur Unfallverhütung sowie eventuelle interne Arbeits-, Betriebs- und Sicherheitsvorschriften des Betreibers sind zu beachten.

## **1.5 Sicherheitshinweise für den Betreiber/Bediener**

- Führen heiße oder kalte Maschinenteile zu Gefahren, müssen diese Teile bauseitig gegen Berührung gesichert sein.
- Berührungsschutz für sich bewegende Teile (z.B. Kupplung) darf bei sich in Betrieb befindlicher Maschine nicht entfernt werden.
- Leckagen (z.B. der Wellendichtung) gefährlicher Fördergüter (z.B. explosiv, giftig, heiß) müssen so abgeführt werden, daß keine Gefährdung für Personen und Umwelt entsteht. Gesetzliche Bestimmungen sind einzuhalten.
- Gefährdungen durch elektrische Energie sind auszuschließen (Einzelheiten hierzu siehe z.B. in den Vorschriften des VDE und der örtlichen Energieversorgungsunternehmen).

## **1.6 Sicherheitshinweise für Wartungs-, Inspektions- und Montagearbeiten**

Der Betreiber hat dafür zu sorgen, daß alle Wartungs-, Inspektions- und Montagearbeiten von autorisiertem und qualifiziertem Fachpersonal ausgeführt werden, das sich durch eingehendes Studium der Betriebsanleitung ausreichend informiert hat.

Grundsätzlich sind Arbeiten an der Maschine nur im Stillstand durchzuführen. Die in der Betriebsanleitung beschriebene Vorgehensweise zum Stillsetzen der Maschine muß unbedingt eingehalten werden.

Pumpen oder Pumpenaggregate, die gesundheitsgefährdende Medien fördern, müssen dekontaminiert werden. Unmittelbar nach Abschluß der Arbeiten müssen alle Sicherheits- und Schutzeinrichtungen wieder angebracht bzw. in Funktion gesetzt werden.

Vor der (Wieder)inbetriebnahme sind die im Abschnitt Inbetriebnahme aufgeführten Punkte zu beachten.

### **1.7 Eigenmächtiger Umbau und Ersatzteilherstellung**

Umbau oder Veränderungen der Maschine sind nur nach Absprache mit dem Hersteller zulässig. Originalersatzteile und vom Hersteller autorisiertes Zubehör dienen der Sicherheit. Die Verwendung anderer Teile kann die Haftung für die daraus entstehenden Folgen aufheben.

### **1.8 Unzulässige Betriebsweisen**

Die Betriebssicherheit der gelieferten Maschine ist nur bei bestimmungsmäßiger Verwendung entsprechend Abschnitt 2 -*Allgemeines* der Betriebsanleitung gewährleistet. Die im Datenblatt angegebenen Grenzwerte dürfen auf keinen Fall überschritten werden.

## **2. ALLGEMEINES**

### **2.1 Einleitung**

Diese Betriebsanleitung ist gültig für die Abwasserhebeanlagen mit Schneidwerkpumpe(n) der Baureihe SANICUBIC® GR.

**Bei Nichtbeachtung der Betriebsanleitung - insbesondere der Sicherheitshinweise - sowie beim eigenmächtigen Umbau des Geräts oder dem Einbau von Nicht-Originalersatzteilen erlischt automatisch der Garantieanspruch. Für hieraus resultierende Schäden übernimmt der Hersteller keine Haftung!**

**Wie jedes andere Elektrogerät kann auch dieses Produkt durch fehlende Netzspannung oder einen technischen Defekt ausfallen. Wenn Ihnen dadurch ein Schaden entstehen kann, sollte entsprechend der Anwendung ein Notstromaggregat, eine Handmembranpumpe, eine zweite Anlage (Doppelanlage) und/oder eine netzunabhängige Alarmanlage eingeplant werden. Auch nach dem Kauf stehen wir Ihnen als Hersteller zur Beratung gern zur Verfügung. Bei Defekten oder Schadensfällen wenden Sie sich bitte an Ihren Händler.**

### **Baugrößen :**

SANICUBIC® 1 GR SE71.1 S	SANICUBIC® 2 GR SE71.1 T
SANICUBIC® 1 GR SE71.1 T	SANICUBIC® 2 GR SE71.2 T
SANICUBIC® 1 GR SE71.2 T	SANICUBIC® 2 GR SE71.3 T
SANICUBIC® 1 GR SE71.3 T	SANICUBIC® 2 GR SE71.4 T
SANICUBIC® 1 GR SE71.4 T	

### **2.2 Anfragen und Bestellungen**

Anfragen und Bestellungen richten Sie bitte an Ihren Fachhändler.

## 2.3 Technische Daten

Typ SANICUBIC GR	Leistung P1 [kW]	Leistung P2 [kW]	Spannung U [V]	Nennstrom I <sub>N</sub> [A]	Drehzahl bei 50 Hz [n <sup>-1</sup> ]	Flansch Pumpe	Zulauf	Zulauf- höhe h [mm]
SE71.1 S	2,2	1,7	230	10,5	2 800	DN 50	Einzelanlage: DN 100 DN 50/100	250 576
SE71.1 T	2,1	1,7	400	3,7	2 800	DN 50		
SE71.2 T	2,1	1,7	400	3,7	2 800	DN 50	Doppelanlage: DN 100 DN 100/150	250 586
SE71.3 T	3,9	3,2	400	6,5	2 800	DN 50		
SE71.4 T	3,9	3,2	400	6,5	2 800	DN 50		

Maximale Mediumtemperatur: 55°C

Minstdurchmesser der Einbringöffnung für die komplette Einzelhebeanlage: 600 mm

### Werkstoffe

<b>Behälter</b>	PE LD	<b>Schneidmesser</b>	Edelstahl
<b>Pumpengehäuse</b>	GG 20	<b>Motorwelle</b>	Edelstahl
<b>Lauftrad</b>	GG 20	<b>Dichtungen</b>	NBR, FPM
<b>Dichtungsträger</b>	GG 20	<b>Gleitringdichtungen</b>	SiC (Siliziumkarbid)
<b>Schneidflansch</b>	Edelstahl		

## 2.4 Einsatzbereich

Die Abwasserhebeanlagen der Baureihe SANICUBIC® GR dienen zur Entsorgung (Sammeln und Fördern) von häuslichen und industriellen Abwässern, die unterhalb der Kanalrückstauenebene anfallen. Die Ausführung mit Schneidwerkumpen ermöglicht das Abpumpen über größere Förderhöhen und Druckleitungslängen. Die Druckleitung kann in der Dimension DN 50 verlegt werden.

### Einsatzgrenzen :

- **Die Hebeanlage ist nicht für Dauerbetrieb ausgelegt! Die auf dem Fabrikschild genannten Förderdaten gelten nur für Aussetzbetrieb (S3 25 %).**
- **Die maximal zulässige Zulaufmenge muss immer kleiner sein als die Fördermenge einer Pumpe (siehe Typenschild)**

**Nicht eingeleitet werden dürfen u. a.:**

- **Feste Stoffe, Faserstoffe, Teer, Sand, Zement, Asche, grobes Papier, Papierhandtücher, Einmalwaschlappen, Pappe, Schutt, Müll, Schlachtabfälle, Fette, Öle.**
- **Alle über der Rückstauenebene liegenden Entwässerungsgegenstände (EN 12 056-1).**
- **Abwasser mit schädlichen Stoffen (DIN 1986-100), z. B. fetthaltiges Abwasser von Großküchen. Die Einleitung darf nur über einen Fettabscheider nach DIN 4040-1 erfolgen.**

## 2.5 Lieferumfang

Die Abwasserhebeanlagen der Baureihe SANICUBIC® GR werden geliefert mit:

- aufgebauter(en) Schneidwerkpumpe(n) der Baureihe SANIPUMP® ZFS 71
- Anschluss für Notentleerung oder Handmembranpumpe
- Pneumatiksteuerung und Schaltkasten
- flexible Verbindung für die Entlüftung des Sammelraumes
- Druckabgangsbogen DN 32
- Kugelrückschlagventil(e) DN 32
- Hosenrohr DN 32/50/32 (nur für Doppelanlage)

## 3. TRANSPORT UND ZWISCHENLAGERUNG

### 3.1 Transport

Die Abwasserhebeanlagen der Baureihe SANICUBIC® GR dürfen weder geworfen noch fallengelassen werden. Außerdem sollen Sie waagrecht transportiert werden.

### 3.2 Zwischenlagerung/Konservierung

Zur Zwischenlagerung und Konservierung genügt das Aufbewahren an einem kühlen, dunklen, trockenen und frostsicheren Ort. Die Anlagen sollten waagrecht stehen.

## 4. BESCHREIBUNG

### 4.1 Allgemeines

Die Abwasser-Hebeanlagen der Baureihe SANICUBIC® GR sind anschlussfertige, kurzzeitig überflutbare Einzel- oder Doppelhebeanlagen mit gas- und geruchsdichtem Kunststoff-Sammelbehälter. Sie arbeiten mit vertikalen Schneidwerk-pumpen mit automatischer pneumatischer Niveausteu-erung. Ausgerüstet sind sie komplett mit Schaltkasten und allen notwendigen Schaltelementen.

### 4.2 Aufbau und Arbeitsweise

Das Abwasser läuft mit natürlichem Gefälle in den Sammelbehälter der Abwasser-Hebeanlage SANICUBIC® GR.

#### ACHTUNG



Als Zuläufe dürfen nur der seitliche (Einzelanlage) bzw. hintere Anschluss (Doppelanlage) DN 100 mit 250 mm Höhe und der obere Anschluss DN 50/100 (Einzelanlage) DN 100/150 (Doppelanlage) direkt verwendet werden.

**Werden die Zuläufe mit einer Höhe von 180 mm verwendet, so ist die Zulaufleitung unmittelbar nach der Hebeanlage auf 250 mm über Aufstellniveau zu führen.**

Der Sammelbehälter ist für **drucklosen Betrieb** ausgelegt, d. h., das anfallende Abwasser wird drucklos zwischengespeichert und anschließend in den Abwasserkanal gefördert.

In dem an der Behälteroberseite eingeschraubten Staurohr steigt das Wasser an und komprimiert die im Staurohr befindliche Luft solange, bis der Druck den Staudruckschalter im Schaltkasten betätigt. Dadurch wird die Pumpe eingeschaltet und fördert das Wasser aus dem Behälter über die Druckleitung in den höherliegenden Kanal. Bei der Hebeanlage SANICUBIC® 2 GR befindet sich im Schaltkasten ein Wechselschalter, der das wechselweise Einschalten der Pumpen bewirkt. Nur bei Überlastbetrieb (eine Pumpe kann die zulaufende Wassermenge nicht bewältigen) schaltet die zweite Pumpe zu. Ein Kugelrückschlagventil, bei Doppelanlagen zwei Kugelrückschlagventile, verhindern das Zurücklaufen des Wassers aus der Druckleitung in den Behälter. Das Schaltgerät ist mit einem Alarmsummer versehen, der bei Ausfall der Pumpe(n) oder bei zu hohem Wasserstand im Behälter aktiviert wird. Weiterhin sind Alarmkontakte für extern anzuschließende Alarmeinrichtungen (Klingel, Hupe, etc.) im Schaltgerät vorhanden. Die Lage entnehmen Sie bitte dem Schaltplan des Schaltgerätes.

## 5. INSTALLATION

### 5.1 Vorbereitungen

Der störungsfreie Betrieb der Hebeanlage ist nicht zuletzt von einer korrekten und einwandfreien Montage abhängig. Aus diesem Grund müssen folgende Punkte beachtet werden:

- Der Aufstellort sollte ein gut belüfteter, trockener und frostfreier Raum sein.
- Der Aufstellplatz muß ausreichend bemessen sein. Die Raumhöhe sollte ca. 2 bis 2,5 m betragen. Laut DIN 1986 Teil 3 gilt: „...Alle Anlagenteile...(und)...alle Bedienungselemente...müssen jederzeit sicher

zugänglich und ohne Schwierigkeiten zu betätigen sein. ...Diese Anlagenteile dürfen nicht durch Lagergut, Möbel, Verkleidungen oder ähnliches versperrt werden..."

- Das Fundament des Aufstellungsraumes muß den möglichen auftretenden Belastungen, abhängig von der Anlagengröße, entsprechend ausgelegt sein.
- In den oftmals tiefer liegenden Räumen sammelt sich häufig Grund- oder Sickerwasser. Daher sollte in einer Ecke des Raumes ein kleiner Schacht vorhanden sein, wo sich diese Flüssigkeiten sammeln und mit einer Kellerentwässerungspumpe entsorgt werden können.
- Ein Deckenhaken über dem Aufstellungsplatz der Hebeanlage erleichtert die Montage sowie eventuelle Wartungs- und Reparaturarbeiten an der Pumpe.
- Vor Beginn der Montage sollten alle Bau- und Leitungsmaße kontrolliert und mit den Maßen der Anlage verglichen werden. Dabei ist besonders darauf zu achten, daß die stets fallende Zulaufleitung nicht tiefer liegt, als die Einlaufhöhe des Sammelbehälters.

## 5.2 Montage

Bei der Montage ist unbedingt auf eine spannungsfreie und dichte Installation der Rohrleitungen und der Armaturen zu achten.

### 5.2.1 Aufstellung

Die Abwasser-Hebeanlagen der Baureihe SANICUBIC® GR werden am Aufstellungsort nach eventuell vorhandenen Rohrleitungen ausgerichtet. Hier wird sie nun genau waagrecht aufgestellt und mittels der mitgelieferten Fixierungsschrauben am Boden befestigt.

DIN 19 760 Teil 1: "...Die Fäkalien-Hebeanlage ist so zu gestalten, daß durch Befestigungsvorrichtungen ein Verdrehen und Aufschwimmen vermieden wird..."

### 5.2.2 Zulauf

#### ACHTUNG



Als Zuläufe können nur der seitliche Anschluss DN 100 mit 250 mm Höhe und der obere Anschluss DN 50/100 bei Einzelanlagen bzw DN 100/150 bei Doppelanlagen direkt verwendet werden. **Die beiden seitlichen Zuläufe mit einer Höhe von 180 mm sind unmittelbar nach der Hebeanlage auf 250 mm Höhe über Aufstellniveau zu führen!**

Um die Zulaufleitung anzuschließen, ist vom benötigten Zulaufstutzen der Deckel abzusägen. Die Zulaufleitung wird dann auf den Stutzen aufgesteckt. Der hintere Zulauf der Doppelhebeanlage muss mittels Lochkreissäge oder Messer geöffnet werden und darf keinesfalls mit einem Hammer eingeschlagen werden!

#### WICHTIG:

Bei Verwendung der minimalen Zulaufhöhe von 250 mm ist zu beachten, dass die Niveaustellung so eingestellt ist, dass im Normalbetrieb der Wasserstand im Behälter ein wenig über die Unterkante bis maximal  $\frac{1}{2}$  Füllung des Zulaufrohres ansteigt bevor die Pumpe einschaltet. In allen Leitungen die tiefer angeschlossen werden, wird sich deshalb ein entsprechender Wasserstand einstellen. Bei Zulaufleitungen kann das dazu führen, dass in diesem Bereich Schmutzablagerungen nicht auszuschließen sind und es im Extremfall zu einer Verstopfung der Leitung kommen kann. Nach Möglichkeit ist deshalb der Zulauf von oben zu nutzen.

### 5.2.3 Druckleitung

Am horizontalen Druckabgang der Pumpe wird der Flanschbogen DN 32, 900 montiert, der in vertikaler Richtung mit einem Gewinde 5/4" endet.

Der Einbau der zu Lieferumfang gehörenden Kugelrückschlagventile in die Druckleitung der Hebeanlage ist zwingend erforderlich: DIN 19 760 Teil 3: "...Rückflußverhinderer müssen nach dem Unterbrechen des Förderstroms das Zurückfließen des Abwassers aus der Druckleitung selbsttätig verhindern. Bei Einsetzen der Förderung muß der Rückflußverhinderer selbsttätig öffnen..."

Hinter dem Kugelrückschlagventil empfiehlt sich der Einbau eines Absperrschiebers, um die Reinigung bzw. einen eventuellen Austausch der Kugelrückschlagventile zu erleichtern.

Bei Doppelhebeanlagen gehört ein Hosenrohr mit einem Druckabgang DN50 (Flansch) zu Lieferumfang.

Die Druckleitung muß stetig steigend und ohne unnötige Sprünge in einem Bogen über die Rückstauenebene und anschließend stetig fallend zum Kanalanschluß verlegt werden. Rohrleitung und Armaturen müssen, sofern nötig, mit Rohrschellen oder Konsolen abgestützt werden.

#### **5.2.4 Entlüftung**

Die Behälterentlüftung  $\varnothing 75$  mm wird entweder direkt an die Entlüftungsleitung des Gebäudes angeschlossen oder aber separat über das Dach führend installiert.

#### **5.2.5 Elektrischer Anschluß**

##### **Sicherheitsbestimmungen :**

- **Alle verwendeten Elektroanlagen müssen der Norm IEC 364 / VDE 0100 entsprechen, d.h., dass z. B. Steckdosen Erdungsklemmen aufweisen müssen.**
- **Der elektrische Anschluss darf nur von einer Elektrofachkraft durchgeführt werden! Die einschlägigen VDE Vorschriften 0100 beachten!**
- **Das elektrische Netz, an das die Anlage angeschlossen wird, muss über einen hochempfindlichen separaten FI-Schutzschalter IA <30 mA vor der Steuerung verfügen, oder um einem Ausfall der Steuerung beim Ansprechen des FI-Schutzschalters vorzubeugen, ist je Pumpe ein FI-Schutzschalter zwischen Steuerung und Pumpe zu installieren. Bei der Installation in Bade- und Duschräumen sind die entsprechenden DIN VDE 0100 Teil 701-Vorschriften zu beachten.**
- **Bitte beachten Sie die Vorschriften der EN 12 056-4.**
- **Bei Drehstromanschluss ist die externe Absicherung mit Sicherungsautomaten der Charakteristik K generell 3-polig mechanisch verriegelt auszuführen. Damit ist eine komplette Netztrennung sichergestellt und 2-Phasenlauf ausgeschlossen.**
- **Alle elektrischen Geräte wie Steuerung, Alarmgeber und Steckdose müssen in trockenen Räumen überflutungssicher installiert werden.**
- **Achtung! Vor jeder Montage und Demontage der Pumpe oder sonstiger Arbeiten an der Anlage ist diese vom elektrischen Netz zu trennen.**
- **Durch Überlastung kann sich der Motor überhitzen. Bei Überhitzung niemals die heißen Oberflächen am Motor berühren.**
- **Bei Verwendung eines Verlängerungskabels muss dieses qualitativ dem mitgelieferten Anschlusskabel entsprechen.**

Der Schaltkasten muß so angebracht werden, daß der Pneumatikschlauch für die pneumatische Niveausteuerng stetig steigend verlegt ist. Nur so ist eine einwandfreie Funktion der automatischen Steuerung gewährleistet. Der Stecker der Anlage (CEE- bzw. Schuko-Stecker bei einer Einzelanlage) wird erst direkt vor der Inbetriebnahme eingesteckt. Die Doppelanlagen sind direkt mit der Netzleitung zu verbinden. Dabei ist darauf zu achten, daß die elektrische Anlage den geltenden VDE-Richtlinien entspricht.

Der Schaltplan für die Verdrahtung der Hebeanlage befindet sich im Schaltkasten und sollte dort belassen werden, um dem Wartungs- und Kundendienstpersonal die Arbeit zu erleichtern.

## **6. INBETRIEBNAHME**

Vor der Inbetriebnahme müssen alle Anschlüsse nochmals auf korrekte Montage überprüft werden, der oder die Absperrschieber müssen geöffnet werden.

Jetzt wird der Stecker in die Steckdose gesteckt (Einzelanlage) bzw die Spannung zugeschaltet (Doppelanlage) und bei Drehstromanlagen die Drehrichtung der Pumpe überprüft. Dies geschieht, indem der Hand/O/Automatik - Schalter kurz auf „Hand“ gestellt wird. Beim Auslaufen des Motors kann die Drehrichtung am Schauglas an der Oberseite mit der richtigen Drehrichtung (Drehrichtungspfeil) verglichen werden. Dreht die Pumpe verkehrt herum, so müssen zwei der drei Phasen vertauscht werden.



 **GEFAHR**



**Vor allen Arbeiten an der elektrischen Anlage Netzstecker ziehen!**

Für die Nutzung der Zulaufe DN 100 mit 250 mm Zulaufhöhe ist die Steuerung bereits voreingestellt. Wird ausschließlich der obere Zulauf verwendet, können zur Vergrößerung des Stauvolumens andere Schaltpunkte an der Steuerung eingestellt werden.

Minimale Zulaufhöhe	Ausschaltpunkt N1	Einschaltpunkt N2	Einschaltpunkt N3 nur bei Doppelanlage	Hochwasser HW	Schaltvolumen Einzel/Doppel
250 mm	3 cm	14 cm	16 cm	18 cm	26 L / 47 L
428 mm	3 cm	25 cm	26 cm	29 cm	45 L / 80 L

Jetzt werden der oder die Taster „Automatik“ betätigt und ein Probelauf durchgeführt. Dazu wird der Sammelbehälter über den normalen Zulauf (Waschbecken, Toilette etc.) befüllt. Die Anlage muss automatisch einschalten, den Behälter Leerpumpen und wieder abschalten. Nach dem Abschalten darf kein Wasser aus der Druckleitung zurück in den Behälter laufen. Bei Doppelanlagen werden die Beiden Pumpen im Wechsel geschaltet.

Die Nachlaufzeit ist je nach Einbaubedingungen und Förderhöhe so zu korrigieren, dass die Pumpe den Sammelbehälter maximal entleert und nur kurz im Schlürfbetrieb arbeitet (lauteres Geräusch beim Pumpen). Das Staurohr darf nach Beendigung des Pumpvorganges nicht mehr in die Flüssigkeit eintauchen (Anzeige in der Steuerung 0 cm). Die Nachlaufzeit kann am Schaltgerät verändert werden. Während des Probelaufes werden nochmals alle Leitungen und Armaturen auf Dichtheit kontrolliert und gegebenenfalls neu eingedichtet.

Arbeitet die Hebeanlage ordnungsgemäß, so bleibt die Anlage im Automatikbetrieb.

## 7. WARTUNG/INSTANDHALTUNG

### 7.1 Inspektions- und Wartungsintervalle

Inspektions- und Wartungsintervalle nach DIN 1986 Teil 31: *„Abwasserhebeanlagen sollen monatlich einmal vom Betreiber durch Beobachtung eines Schaltspiels auf Betriebsfähigkeit und Dichtheit geprüft werden. ...Die Anlage soll durch einen Fachkundigen gewartet werden. Die Zeitabstände sollen nicht größer sein als :*

- ¼ Jahr bei Anlagen in gewerblichen Betrieben
- ½ Jahr bei Anlagen in Mehrfamilienhäusern
- 1 Jahr bei Anlagen in Einfamilienhäusern“

### 7.2 Wartungsarbeiten

 **GEFAHR**



**Vor allen Arbeiten an der Anlage Netzstecker ziehen!**

#### 7.2.1 Sammelbehälter

Den Revisionsdeckel öffnen und mit Hilfe eines Schlauches den Behälter ausspritzen, um Schmutzablagerungen an den Behälterwänden zu lösen.

#### 7.2.2 Kugelrückschlagventile

Den Revisionsdeckel öffnen und das Ventil von innen reinigen.

#### 7.2.3 Sonstiges

Alle weiterführenden Wartungsarbeiten müssen vom Kundendienst durchgeführt werden.

# 8. STÖRUNGEN; URSACHEN UND BESEITIGUNG



**Vor allen Arbeiten an der Anlage Netzstecker ziehen !**

Störung	Ursache	Behebung
1. Motor dreht nicht	<ul style="list-style-type: none"> <li>- zu geringe Spannung, Spannung fehlt</li> <li>- falscher Stromanschluß</li> <li>- Stromkabel defekt</li> <li>- Fehler am Kondensator (nur bei Wechselstrommotor)</li> <li>- Laufrad oder Schneidwerk blockiert</li> <li>- Motorschutz ausgeschaltet wegen Überhitzung, Blockierung, Spannungsfehler</li> <li>- Steuerungsfehler / Druckschalter defekt</li> <li>- Pneumatikschlauch bzw. -anschluß undicht</li> <li>- Motor defekt</li> </ul>	<ul style="list-style-type: none"> <li>- Versorgung prüfen</li> <li>- Korrektur</li> <li>- Austausch/Kundendienst</li> <li>- Austausch/Kundendienst</li> <li>- Reinigen</li> <li>- Prüfen/Kundendienst</li> <li>- Prüfen/Kundendienst</li> <li>- Prüfen/Austausch</li> <li>- Austausch/Kundendienst</li> </ul>
2. Motor dreht, fördert jedoch nicht	<ul style="list-style-type: none"> <li>- Laufrad verstopft oder verschlissen</li> <li>- Rückschlagklappe verstopft</li> <li>- Absperrschieber verstopft oder verschlossen</li> <li>- Druckleitung verstopft</li> <li>- Ansaugstutzen verstopft</li> <li>- Drehrichtung falsch</li> <li>- Wassermangel im Behälter</li> <li>- Behälterentlüftung verstopft</li> <li>- Pumpengehäuseentlüftung verstopft</li> </ul>	<ul style="list-style-type: none"> <li>- Reinigen/Austausch</li> <li>- Reinigen</li> <li>- Reinigen/Öffnen</li> <li>- Reinigen</li> <li>- Reinigen</li> <li>- Korrektur</li> <li>- Abschalten/Kundendienst</li> <li>- Reinigen</li> <li>- Reinigen</li> </ul>
3. Motor dreht und schaltet ab	<ul style="list-style-type: none"> <li>- Spannung falsch bzw. schwankt</li> <li>- Thermoschutz falsch ausgelegt</li> <li>- Stromaufnahme zu hoch</li> </ul>	<ul style="list-style-type: none"> <li>- Korrektur/Kundendienst</li> <li>- Prüfen/Kundendienst</li> <li>- Kundendienst</li> </ul>
4. Motor schaltet nicht aus	<ul style="list-style-type: none"> <li>- Steuerungsfehler</li> <li>- Druckschalterfunktion nicht ordnungsgemäß</li> </ul>	<ul style="list-style-type: none"> <li>- Kundendienst</li> <li>- Austausch/Kundendienst</li> </ul>

# 9. GEWÄHRLEISTUNG

Als Hersteller übernehmen wir für dieses Gerät eine Gewährleistung von 24 Monaten ab Kaufdatum. Als Nachweis gilt Ihr Kaufbeleg. Innerhalb dieser Gewährleistungszeit beseitigen wir nach unserer Wahl durch Reparatur oder Austausch unentgeltlich alle Mängel, die auf Material- oder Herstellungsfehler zurückzuführen sind.

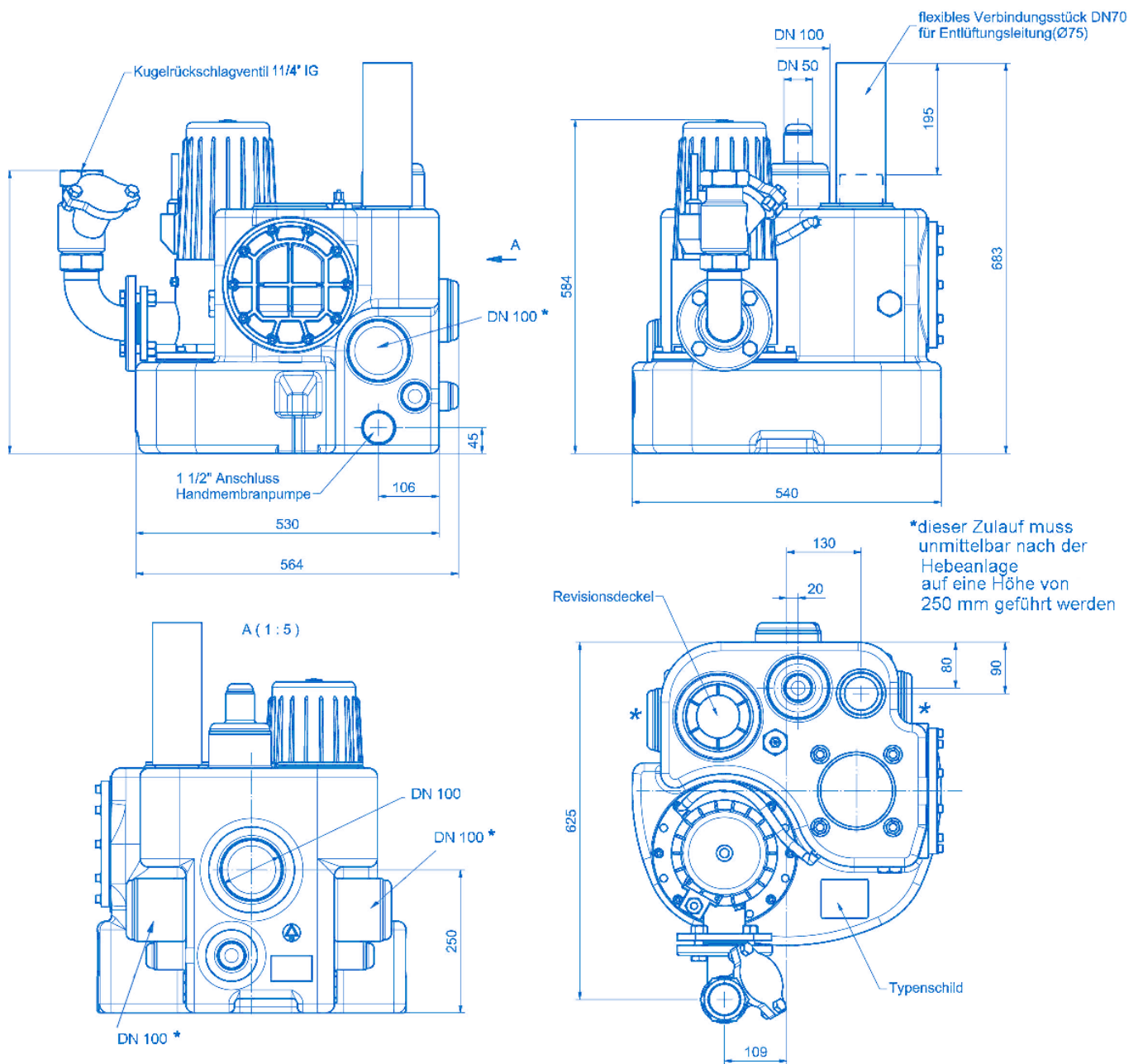
Von der Gewährleistung ausgenommen sind Schäden, die auf unsachgemäßem Gebrauch und Verschleiß zurückzuführen sind. Folgeschäden, die durch Ausfall des Gerätes entstehen, werden von uns nicht übernommen.

# 10. TECHNISCHE ÄNDERUNGEN

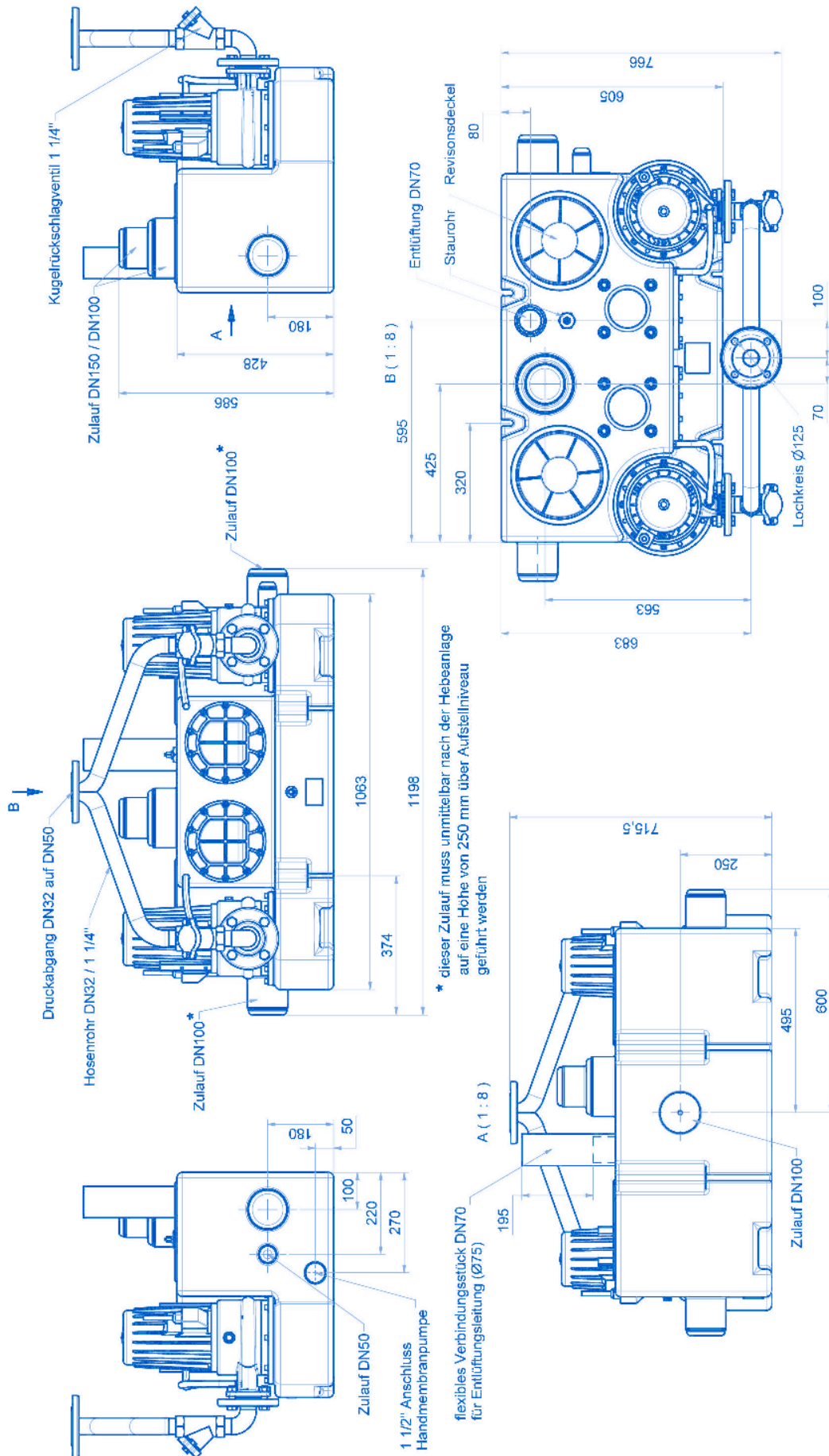
Technische Änderungen im Sinne der Weiterentwicklung vorbehalten wir uns vor.

# Anhang A: Hauptabmessungen

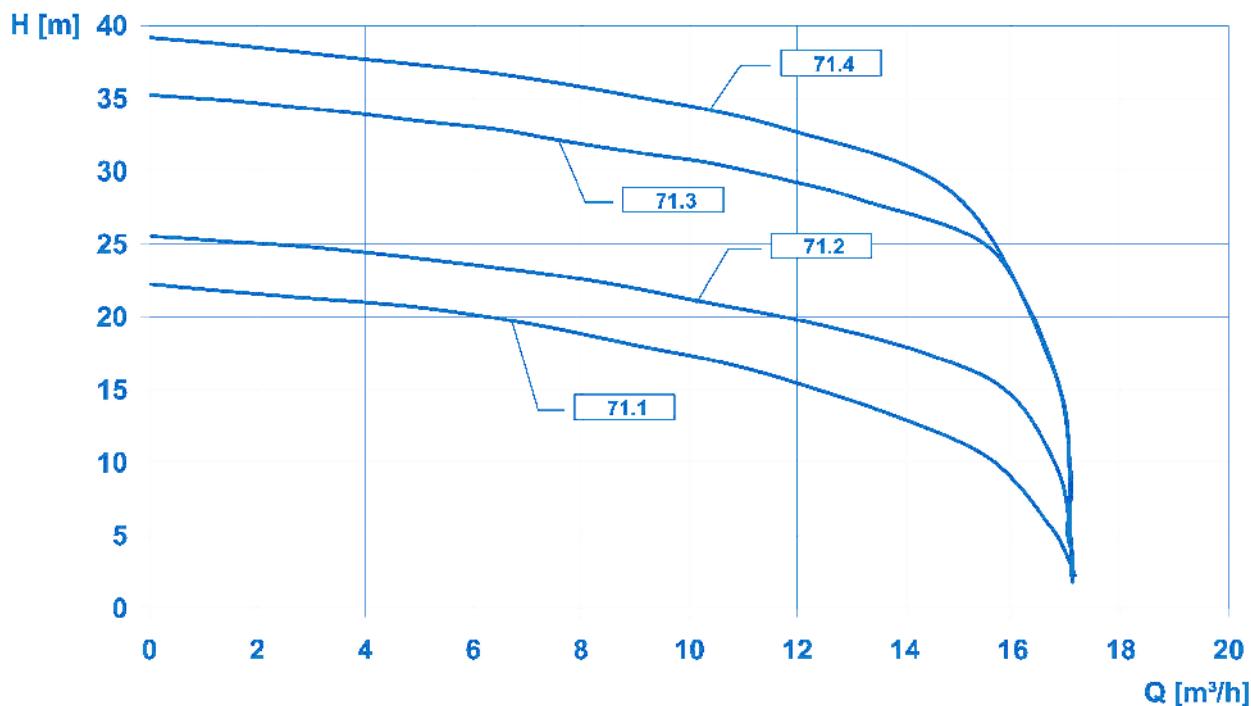
## SANICUBIC® 1 GR



# SANICUBIC® 2 GR



## Anhang B: Leistungsdiagramm

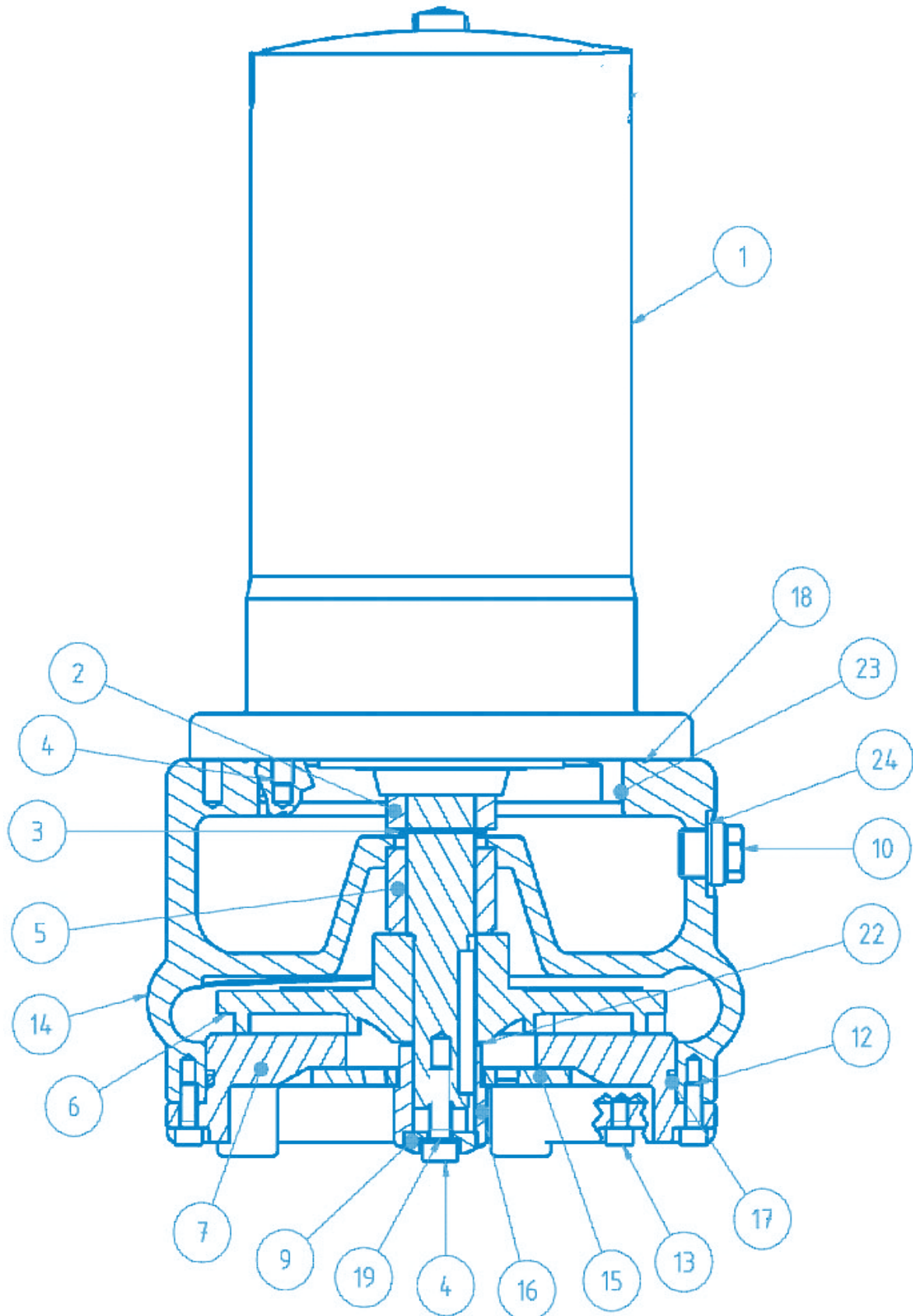


## Anhang C: Ersatzteilliste

Pos.	Stck.	Benennung	Article no.
	1	Chamber SANICUBIC® GR SE71	117337
	(1)	Chamber SANICUBIC® 2 GR SE71	
	1 (2)	Saugmund SANICUBIC® GR SE71	17481
	1 (2)	Schlauchtülle gerade R 3/8"	117191
	1	Staurohr komplett	60219
	1	Revisionsdeckel mit Dichtung	117012
	(2)	Revisionsdeckel Doppelanlage	
	(2)	Dichtung für Revisionsdeckel Doppelanlage	
	1	Schaltgerät SANICUBIC® GR SE71 230 V	200102
	1	Schaltgerät SANICUBIC® GR SE71 400 V	255302
	(1)	Schaltgerät SANICUBIC® 2 GR SE71 400 V	

# Anhang D: Schnittzeichnung und Ersatzteilliste der Pumpe

## Schnittzeichnung



## Ersatzteilliste Pumpe

Pos.	Art. Nr.	Bezeichnung	Menge
	17749	Pumpe für SANICUBIC® 1 GR SE71.1 S	1
	17463	Pumpe für SANICUBIC® GR SE71.1 T	1 (2)
	17562	Pumpe für SANICUBIC® GR SE71.2 T	1 (2)
	17563	Pumpe für SANICUBIC® GR SE71.3 T	1 (2)
	17564	Pumpe für SANICUBIC® GR SE71.4 T	1 (2)
1	17587	Topfmotor SANICUBIC® 1 GR SE71.1 S	1
1	17586	Topfmotor SANICUBIC® GR SE71.1 T und SE71.2 T	1
1	17588	Topfmotor SANICUBIC® GR SE71.3 T und SE71.4 T	1
2	17356	GLRD LD1/25-G38 Motorseitig	1
3	11679	Sicherungsring DIN471-A25x1,2	1
4	16381	Innensechskantschraube M8x25-A2	5
5	17377	GLRD MG1/25-G6 Medienseitig	1
6	17373	Laufrad SANIPUMP® ZFS 71.1 Ø135	1
6	17371	Laufrad SANIPUMP® ZFS 71.2 Ø145	1
6	17372	Laufrad SANIPUMP® ZFS 71.3 Ø160	1
6	17351	Laufrad SANIPUMP® ZFS 71.4 Ø170	1
7	17391	Deckel SANIPUMP® ZFS 71 für Behälteraufbau	1
8	17109	Senkschraube M5x10-A2 DIN965	3
9	17352	Messerverschraubung SANIPUMP® ZFS 71	1
10	11640	Verschlussschraube, bea. G 3/8 (Entlüftung)	1
10	11639	Verschlussschraube G3/8 DIN910 (Öl)	1
11	11663	Ringschraube DIN 580-M8-A2	1
12	15320	Innensechskantschraube M6x20-A2	4
13	10008	Innensechskantschraube M6x10-A2	4
14	17355	Pumpengehäuse SANIPUMP® ZFS 71	1
15	17353	Schneidplatte SANIPUMP® ZFS 71	1
16	17354	Schneidmesser SANIPUMP® ZFS 71	1
17	11822	O-ring 160 x 3,5-NBR70	1
18	11629	O-ring 147 x 3	1
19	11672	Dichtring 8x14x1 Cu	1
20	11659	Tragegriff	1
21	10666	Innensechskantschraube M6x12-A2 DIN 912	2
22	17375	Passscheibe 10x30x0,1 1.4301	2
22	17376	Passscheibe 10x30x0,5 1.4301	2
23	11656	O-ring 125x2-NBR70	1
24	11646	Dichtring 17x22x1,5 Cu für Pos 230	2
70	11645	Sperrzahnscheibe S8x13x0,8 A2	4
	11690	Wisura technisches Weissöl NFW	0,4L

<b>1. SÉCURITÉ</b> .....	<b>p 33</b>
1.1 Identification des avertissements .....	p 33
1.2 Qualification et formation du personnel .....	p 34
1.3 Risques en cas de non-respect des consignes de sécurité....	p 34
1.4 Travailler en toute sécurité .....	p 34
1.5 Consignes de sécurité pour l'exploitant/utilisateur .....	p 34
1.6 Consignes de sécurité pour les travaux de maintenance, d'inspection et de montage .....	p 34
1.7 Transformation et fabrication arbitraires de pièces de rechange.	p 35
1.8 Modes d'exploitation non-autorisés .....	p 35
<b>2. GÉNÉRAL</b> .....	<b>p 35</b>
2.1 Introduction .....	p 35
2.2 Demandes et réservations .....	p 35
2.3 Données techniques.....	p 36
2.4 Domaine d'application .....	p 36
2.5 Contenu de la livraison .....	p 36
<b>3. TRANSPORT ET ENTREPOSAGE</b> .....	<b>p 37</b>
3.1 Transport.....	p 37
3.2 Entreposage/conservation .....	p 37
<b>4. DESCRIPTION</b> .....	<b>p 37</b>
4.1 Général .....	p 37
4.2 Structure et mode de fonctionnement .....	p 37
<b>5. INSTALLATION</b> .....	<b>p 37</b>
5.1 Travaux préparatoires.....	p 37
5.2 Montage.....	p 38
<b>6. MISE EN SERVICE</b> .....	<b>p 39</b>
<b>7. MAINTENANCE/ENTRETIEN</b> .....	<b>p 40</b>
7.1 Calendrier d'inspection et de maintenance.....	p 40
7.2 Travaux de maintenance .....	p 40
<b>8. PANNES, CAUSES ET RÉOLUTION</b> .....	<b>p 41</b>
<b>9. GARANTIE</b> .....	<b>p 42</b>
<b>10. MODIFICATIONS TECHNIQUES</b> .....	<b>p 42</b>
Annexe A: Dimensions principales .....	p 43
Annexe B: Diagramme de puissance .....	p 45
Annexe C: Listes des pièces de rechange.....	p 45
Annexe D: Schéma d'encombrement et liste des pièces de rechange de la pompe.....	p 46



# 1. SÉCURITÉ

## ATTENTION

Cet appareil peut être utilisé par des enfants âgés d'au moins 8 ans et par des personnes ayant des capacités physiques sensorielles ou mentales réduites ou dénuées d'expérience ou de connaissance, s'ils (si elles) sont correctement surveillé(e)s ou si des instructions relatives à l'utilisation de l'appareil en toute sécurité leur ont été données et si les risques encourus ont été appréhendés. Les enfants ne doivent pas jouer avec l'appareil. Le nettoyage et l'entretien par l'utilisateur ne doivent pas être effectués par des enfants sans surveillance.

## RACCORDEMENT ELECTRIQUE :

L'installation électrique doit être réalisée par un professionnel qualifié en électrotechnique.

Le circuit d'alimentation de l'appareil doit être relié à la terre (classe I) et protégé par un disjoncteur différentiel haute sensibilité (30 mA). Les appareils sans prises doivent être connectés à un interrupteur principal sur l'alimentation électrique qui assure la déconnexion de tous les pôles (distance de séparation des contacts de 3 mm minimum).

Le raccordement doit servir exclusivement à l'alimentation de l'appareil. Si le câble d'alimentation est endommagé, il doit être remplacé par le fabricant, son service après-vente ou des personnes de qualification similaire afin d'éviter un danger.

Le présent mode d'emploi contient des instructions essentielles qui doivent être observées lors de la mise en place, de l'exploitation et de la maintenance. Pour cette raison, il doit impérativement être lu par le monteur avant le montage et la mise en service, ainsi que par le personnel spécialisé/l'exploitant responsable et doit être continuellement disponible sur le lieu d'exploitation de la machine/de l'installation.

Il faut non seulement respecter les consignes de sécurité générales présentées dans la section 1-Sécurité, mais aussi les consignes de sécurité spéciales, présentées dans les autres sections, par exemple pour une utilisation privée.

### 1.1 Identification des avertissements



#### Danger

Ce terme définit un danger à risques élevés pouvant conduire au décès ou à une blessure grave, s'il n'est pas évité.



#### Zone dangereuse

Ce symbole caractérise des dangers pouvant conduire à la mort ou à des blessures.



#### Tension électrique dangereuse

Ce symbole caractérise des dangers inhérents à la tension électrique et donne des informations sur la protection contre la tension électrique.

ATTENTION



#### Dégâts matériels

Ce symbole caractérise, en combinaison avec le mot-clé **ATTENTION**, des dangers pour la machine.

Les consignes indiquées directement sur la machine, telles que, par ex. flèche indiquant le sens de rotation, repère de raccords de fluides, doivent impérativement être respectées et maintenues dans des conditions suffisantes à la lecture.

## **1.2 Qualification et formation du personnel**

Le personnel pour l'utilisation, l'entretien, l'inspection et le montage doit disposer des qualifications adéquates pour ce travail. Le domaine de responsabilité, la compétence et la surveillance du personnel doivent être précisément réglementées par l'exploitant. Si le personnel ne dispose pas des connaissances nécessaires, il doit alors être formé et instruit. Le cas échéant, cela peut être effectué sur demande de l'exploitant de la machine par le fabricant/fournisseur. En outre, l'exploitant doit s'assurer, que le contenu du mode d'emploi est entièrement compris par le personnel.

## **1.3 Risques en cas de non-respect des consignes de sécurité**

Le non-respect des consignes de sécurité peut aussi bien avoir pour conséquence la mise en danger des personnes que celle de l'environnement et de la machine. Le non-respect des consignes de sécurité peut conduire à l'annulation de l'ensemble des prétentions de dommages et intérêts. Plus exactement, le non-respect des consignes peut par exemple entraîner les mises en danger suivantes :

- défaillances importantes de la machine/installation,
- défaillances des méthodes prescrites pour la maintenance et l'entretien,
- mise en danger des personnes provoquée par les actions électriques, mécaniques et chimiques,
- mise en danger de l'environnement par la fuite de substances dangereuses dans l'environnement.

## **1.4 Travailler en toute sécurité**

Outre les consignes de sécurité contenues dans ce mode d'emploi, les réglementations nationales en vigueur sur la prévention des accidents, ainsi que les réglementations de sécurité, de travail et de fonctionnement internes de l'exploitant doivent être respectées.

## **1.5 Consignes de sécurité pour l'exploitant/utilisateur**

- Si des pièces chaudes et froides du groupe entraînent des dangers, celles-ci doivent être sécurisées contre tout contact par le client.
- Les protections contre les contacts accidentels avec les pièces en mouvement (par exemple l'accouplement) présentes sur la machine ne doivent pas être retirées lors de l'exploitation.
- Les fuites (p. ex. du joint d'arbre) de matières à transporter dangereuses (p.ex. explosifs, toxiques, chauds) doivent être évacuées de façon à ne pas mettre en péril les personnes et l'environnement. Les dispositions légales doivent être respectées.
- Les mises en danger par l'énergie électrique doivent être exclues (pour les spécificités à ce sujet, voir les réglementations en vigueur et des entreprises prestataires d'alimentation en électricité locales).

## **1.6 Consignes de sécurité pour les travaux de maintenance, d'inspection et de montage**

L'exploitant doit s'assurer que tous les travaux d'entretien, d'inspection et de montage sont effectués par du personnel qualifié et autorisé, qui s'est informé par une étude suffisante du mode d'emploi.

Les interventions sur la machine doivent essentiellement être effectuées à l'arrêt. La procédure de mise à l'arrêt de la machine décrite dans le mode d'emploi doit impérativement être respectée.

Les pompes ou groupes de pompes qui refoulent des fluides nocifs pour la santé doivent être décontaminés. Immédiatement après les interventions, tous les dispositifs de protection et de sécurité doivent être remis en place ou en état de fonctionnement.

Avant la (re)mise en service, il faut observer les points contenus dans la section *6-Mise en service*.

### **1.7 Transformation et fabrication arbitraires de pièces de rechange**

Toute transformation ou modification de la machine n'est autorisée qu'après concertation avec le fabricant. Seuls les pièces de rechange d'origine et les accessoires autorisés par le fabricant garantissent la sécurité. L'utilisation d'autres pièces peut conduire à l'annulation de la responsabilité en cas de dommages consécutifs.

### **1.8 Modes d'exploitation non-autorisés**

La sécurité de fonctionnement des machines livrées n'est garantie que par l'utilisation conforme à la section *2-Général* du mode d'emploi. Les valeurs limites indiquées dans la fiche technique ne doivent en aucun cas être dépassées.

## **2. GÉNÉRAL**

### **2.1 Introduction**

Le présent mode d'emploi s'applique aux stations de relevage des eaux usées avec pompe(s) dilacératrice(s) de la série SANICUBIC® GR.

**En cas de non-respect de ce mode d'emploi, en particulier des consignes de sécurité, et en cas de transformation arbitraire de l'appareil ou de l'utilisation de pièces de rechange nonoriginales, toute exigence de garantie s'annule automatiquement. Le fabricant décline toute responsabilité pour les dommages qui en découlent !**

**Comme tout appareil électrique, ce produit peut aussi tomber en panne en raison d'une absence de tension secteur ou d'un défaut technique. Si cela peut vous causer un dommage, un groupe de secours, une pompe à membrane manuelle, une deuxième installation (installation double) et/ou un dispositif d'alerte indépendant du réseau doivent être prévus en fonction de l'application. Nous restons à votre disposition en tant que fabricant pour tout conseil, y compris après l'achat. En cas de défaut ou de dommages, veuillez vous adresser à votre revendeur.**

### **Produits de la gamme :**

SANICUBIC® 1 GR SE71.1 S	SANICUBIC® 2 GR SE71.1 T
SANICUBIC® 1 GR SE71.1 T	SANICUBIC® 2 GR SE71.2 T
SANICUBIC® 1 GR SE71.2 T	SANICUBIC® 2 GR SE71.3 T
SANICUBIC® 1 GR SE71.3 T	SANICUBIC® 2 GR SE71.4 T
SANICUBIC® 1 GR SE71.4 T	

### **2.2 Demandes et réservations**

Veuillez adresser vos demandes et réservations à votre revendeur spécialisé.

## 2.3 Données techniques

Type de SANICUBIC® GR	Puissance P1 [kW]	Puissance P2 [kW]	Tension U [V]	Courant nominal I <sub>N</sub> [A]	Régime pour 50 Hz [n <sup>-1</sup> ]	Bride de la pompe	Entrée	Hauteur d'amenée h [mm]
SE71.1 S	2,2	1,7	230	10,5	2 800	DN 50	Simple pompe: DN 100 DN 50/100	250 576
SE71.1 T	2,1	1,7	400	3,7	2 800	DN 50		
SE71.2 T	2,1	1,7	400	3,7	2 800	DN 50		
SE71.3 T	3,9	3,2	400	6,5	2 800	DN 50	Double pompe: DN 100 DN 100/150	250 586
SE71.4 T	3,9	3,2	400	6,5	2 800	DN 50		

Température maximale du fluide : 55°C

Diamètre minimum de l'ouverture d'entrée pour la station de relevage simple complète: 600 mm

## Matériaux

Réservoir	PE LD	Roue dilacératrice	Acier inoxydable
Carter de la pompe	GG 20	Arbre moteur	Acier inoxydable
Roue d'entraînement	GG 20	Joint	NBR, FPM
Support de joint	GG 20	Garniture d'étanchéité	SiC (Carbure de silicium)
Bride roue dilacératrice	Acier inoxydable		

## 2.4 Domaine d'application

Les stations de relevage des eaux usées de la série SANICUBIC® GR servent à l'évacuation (collecte et refoulement) des eaux usées domestiques et industrielles, situées au-dessus du niveau de reflux des égouts.

### Limites d'utilisation :

• **La station de relevage n'est pas conçue pour un fonctionnement continu ! Les données de refoulement mentionnées sur la plaque du constructeur s'appliquent uniquement pour un service intermittent (S3 25 %).**

• **Le débit maximal entrant doit toujours être inférieur au débit de la pompe à la hauteur manométrique calculée (voir plaque signalétique).**

**Les liquides et substances suivants sont interdits :**

• **matières solides, matières fibreuses, goudron, sable, ciment, cendres, papier grossier, lingettes jetables, carton, débris, déchets, abats, graisses, huiles,**

• **tous les produits d'évacuation des eaux usées situés au-dessus du niveau de reflux (EN 12 056-1),**

• **les eaux usées comportant des substances nocives (DIN 1986-100), par exemple eaux grasses non traitées provenant de restaurants. Celles-ci requièrent impérativement l'installation d'un séparateur de graisse conformément à la norme DIN 4040-1.**

## 2.5 Contenu de la livraison

Les stations de relevage des eaux usées de la série SANICUBIC® GR sont livrées avec :

- une(des) pompe(s) à roue dilacératrice intégrée(s) de la série SANIPUMP® ZFS 71,
- un raccordement pour la purge d'urgence ou une pompe à membrane manuelle,
- une commande pneumatique et un coffret électrique,
- une connexion souple pour l'aération de la cuve,
- un coude de sortie de refoulement DN 32,
- une(des) vanne(s) d'arrêt à bille DN 32,
- un tuyau en Y DN 32/50/32 (seulement pour les installations doubles).

## 3. TRANSPORT ET ENTREPOSAGE

### 3.1 Transport

Les stations de relevage des eaux usées de la série SANICUBIC® GR ne doivent ni être jetées ni tomber. Par ailleurs, elles doivent être transportées à l'horizontale.

### 3.2 Entreposage/conservation

La conservation dans un lieu frais, à l'abri de la lumière, sec et protégé du gel suffit pour l'entreposage. Les installations doivent être maintenues à l'horizontale.

## 4. DESCRIPTION

### 4.1 Général

Les stations de relevage des eaux usées de la série SANICUBIC® GR sont des stations de relevage simples ou doubles prêtes pour le raccordement, brièvement submersibles, avec réservoir collecteur en matière plastique étanche au gaz et aux odeurs. Elles fonctionnent avec des pompes dilacératrices verticales, à commande automatique pneumatique du niveau. Elles sont équipées de détecteurs de niveau et des coffrets commande associés.

### 4.2 Structure et mode de fonctionnement

Les eaux usées s'écoulent gravitairement dans la station de relevage SANICUBIC® GR.

Le réservoir est conçu pour un **fonctionnement hors pression**, c'est-à-dire que les eaux usées s'écoulant sont collectées temporairement hors pression puis refoulées dans la conduite vers le tout-à-l'égout.

L'eau monte dans le tube plongeur vissé sur la partie supérieure du réservoir, et comprime l'air à l'intérieur jusqu'à ce que la pression actionne le contacteur dans le coffret électrique. La pompe est ainsi activée et refoule l'eau hors du réservoir via la conduite de refoulement dans le canal situé plus haut. Pour les modèles double pompe, les pompes fonctionnent en alternance. En cas de niveau trop élevé dans le réservoir, la deuxième est activée.

Une vanne d'arrêt, deux sur les installations doubles, empêche le reflux de l'eau de la conduite de refoulement vers la cuve. Le coffret de commande est pourvu d'un avertisseur sonore d'alarme qui est activé en cas de défaillance de la (des) pompe(s) ou en cas de niveau d'eau trop élevé dans la cuve. En outre, des contacts d'alarme sont présents pour raccorder des dispositifs d'alarme externes (sonnerie, etc.). Leur emplacement est indiqué sur le plan de câblage de l'appareil de distribution.

## 5. INSTALLATION

### 5.1 Travaux préparatoires

Le bon fonctionnement de la station de relevage dépend principalement du respect des règles de montage suivantes :

- Une pièce bien aérée, sèche et à l'abri du gel doit servir de lieu de montage.
- L'emplacement de montage doit être suffisamment grand. La hauteur de la pièce doit être d'environ 2 à 2,5 m. Selon DIN 1986 partie 3 : « ...L'accessibilité de toutes les parties de l'installation...(et)...de tous les éléments de commande doit être garantie et ils doivent pouvoir être actionnés sans difficultés. ...Les parties de l'installation ne doivent pas être bloquées par de la marchandise entreposée, des meubles ou tout objet similaire... »
- Le sol de ce local doit être en mesure de supporter la charge de la totalité de l'installation.
- Dans les locaux enterrés ou dans lesquels il y a un risque d'infiltration d'eaux, il est préconisé de placer une pompe de drainage dans un regard.

- Un crochet situé au plafond au-dessous l'appareil permettra le levage, le montage et les éventuels travaux de maintenance et de réparation sur les pompes.
- Avant le début du montage, toutes les dimensions des conduites et des constructions doivent être contrôlées et être comparées avec les dimensions de l'installation. Ainsi, il faut particulièrement veiller à ce que la conduite d'amenée ne soit pas située plus basse que les orifices d'entrée de la station.

## 5.2 Montage

Lors de l'installation, il faut veiller à ce que les différentes canalisations, ainsi que les points de fixation, ne subissent aucune contrainte et soient parfaitement étanches.

### 5.2.1 Disposition

Les stations de relevage des eaux usées de la série SANICUBIC® GR sont orientées en fonction des canalisations éventuellement présentes sur le lieu d'implantation. Elles doivent être posées parfaitement à l'horizontale et fixées au sol au moyen des vis de fixation fournies.

DIN 19 760 partie 1 : « ...la station de relevage des matières fécales doit être aménagée de façon à empêcher la rotation et la surnage au moyen de dispositifs de fixation... »

### 5.2.2 Entrée

#### ATTENTION



Respecter une pente minimale de 3% sur les conduites d'arrivée afin d'assurer le bon écoulement des eaux vers la station.

Pour raccorder les conduites d'amenée, scier l'orifice de la conduite d'amenée à utiliser. Insérer ensuite la conduite d'amenée sur l'orifice. L'amenée arrière de l'installation de relevage double doit être ouverte au moyen d'une scie circulaire à trou ou d'une lame; **ne pas** utiliser un marteau !

#### IMPORTANT:

Dans le cas du raccordement à un orifice latéral d'entrée situé à une hauteur inférieure à 250 mm, veiller à ce que le capteur de niveau soit réglé de telle sorte qu'en fonctionnement normal, avant la mise en route de la pompe, le niveau d'eau dans la cuve monte légèrement au-dessus du bord inférieur de la conduite d'entrée mais jusqu'à un maximum de 1/2 remplissage de la conduite. Ainsi, le niveau d'eau correspondant remplira toutes les conduites situées plus profondément. Cela peut entraîner la formation de dépôts de saletés dans les conduites d'entrée et à l'extrême, une obstruction de la conduite. Il convient donc d'utiliser dans la mesure du possible l'orifice d'entrée supérieur.

### 5.2.3 Conduite de refoulement

Au niveau de la sortie de refoulement horizontale de la pompe, le coude à bride DN 32, 900 est monté et se termine en direction verticale avec un filetage de 5/4".

Le montage du clapet anti-retour (inclus dans la livraison) sur la conduite de refoulement de la station de relevage est impératif. DIN 19 760 partie 3 : « ...un dispositif anti-retour doit empêcher le reflux des eaux usées de la conduite de refoulement après arrêt du pompage. Lors du déclenchement du cycle de refoulement, le dispositif anti-retour doit s'ouvrir automatiquement... »

Il est recommandé de poser une vanne d'arrêt en aval du clapet à bille, afin de faciliter le nettoyage ou un remplacement éventuel de ce clapet anti-retour.

Sur les stations de relevage double, un tuyau en Y avec sortie de refoulement DN50 (bride) est inclus dans la livraison.

Pour prévenir le risque de reflux des eaux du collecteur d'égout, installer la tuyauterie de refoulement en «boucle» de façon à ce que sa base, au point culminant, soit située au-dessus du niveau de reflux. La conduite et les armatures doivent être, si cela est nécessaire, renforcées par des colliers d'attache pour tuyaux ou des poutres en porte-à-faux.

## 5.2.4 Ventilation

La conduite d'aération de la station, d'un diamètre de 75 mm, est soit branchée sur la conduite d'aération du bâtiment soit installée séparément dirigée au-dessus du toit.

## 5.2.5 Raccordement électrique

### Dispositions de sécurité :

- **Toutes les installations électriques utilisées doivent correspondre à la norme IEC 364 / VDE 0100, ce qui signifie que les prises de courant doivent, par exemple, être équipées de borne de terre.**
- **Le raccordement électrique doit être réalisé uniquement par un électricien ! Les prescriptions 0100 VDE en vigueur doivent être respectées !**
- **Le réseau électrique sur lequel l'installation est raccordée doit être pourvu d'un disjoncteur différentiel séparé très sensible IA <30 mA en amont de la commande, ou, afin de prévenir une panne de la commande en cas d'enclenchement du disjoncteur différentiel, un disjoncteur différentiel doit être installé par pompe entre la commande et la pompe. En cas d'installation dans les pièces de bain ou de douche, les prescriptions DIN VDE 0100 partie 701 correspondantes doivent être observées.**
- **Veillez observer les prescriptions de la norme EN 12 056-4.**
- **Dans le cas d'une connexion triphasée, le fusible externe doit généralement être muni de disjoncteurs tripolaires à verrouillage mécanique à 3 pôles avec la caractéristique K. Ceci assure une isolation complète du réseau et empêche le fonctionnement en biphasé.**
- **Tous les équipements électriques, telles que la commande, les alarmes et les prises de courant, doivent être installés dans des pièces sèches et protégées contre les risques d'inondation.**
- **Attention ! Débrancher l'installation du secteur avant chaque montage et démontage de la pompe ou tout autres travaux dessus.**
- **Le moteur peut surchauffer en cas de surcharge. En cas de surchauffe, ne jamais toucher les surfaces brûlantes du moteur.**
- **En cas d'utilisation d'une rallonge, celle-ci doit correspondre qualitativement au câble de raccordement fourni dans la livraison.**

Le boîtier de commande doit être placé de façon à ce que le flexible pneumatique et le tuyau du tube plongeur soient toujours en pente ascendante. Le parfait fonctionnement de la commande automatique ne peut être garanti qu'à cette condition.

Brancher directement la prise de l'installation (prise CEE ou prise de courant avec terre sur une installation seule) avant la mise en service. Raccorder les installations doubles directement au secteur. Toujours veiller à ce que l'installation électrique corresponde aux directives VDE en vigueur.

Le plan de câblage de la station de relevage est disponible dans le coffret électrique et doit y être conservé de façon à faciliter le travail du personnel de maintenance et du SAV.

## **6. MISE EN SERVICE**

Avant la mise en service, contrôler à nouveau le montage correct et la bonne étanchéité de l'ensemble des raccordements, ouvrir les vannes de verrouillage.

Insérer alors la fiche dans la prise (installation simple) ou enclencher la tension électrique (installation double) et, sur les installations triphasées, contrôler le sens de rotation de la pompe. Pour ce faire, régler brièvement le commutateur manuel/O/automatique sur "Manuel". Lorsque le moteur s'arrête, le sens de rotation peut être comparé au sens de rotation correct (flèche indicatrice) sur le dessus par le hublot de contrôle. Si la pompe tourne à l'envers, deux des trois phases doivent être inversées.



**DANGER**



**Avant tous travaux sur l'installation électrique, débrancher la prise du réseau !**

La commande est déjà pré-réglée pour l'utilisation des aménées DN 100 avec une hauteur d'aménée de 250 mm. Si seule l'aménée supérieure est utilisée, d'autres points de commutation peuvent être réglés sur la commande pour l'augmentation du volume de retenue.

Hauteur d'aménée minimale	Point de désactivation N1	Point de mise en circuit N2	Point de mise en circuit N3 uniquement sur installation double	Inondation HW	Volume de commutation simple/double
250 mm	3 cm	14 cm	16 cm	18 cm	26 L / 47 L
428 mm	3 cm	25 cm	26 cm	29 cm	45 L / 80 L

Actionner la ou les touches « Automatique » et réaliser un essai de fonctionnement. Pour cela, remplir le réservoir collecteur via l'aménée normale (cuvette, toilettes, etc.). L'installation doit s'enclencher automatiquement, vider le réservoir puis se désactiver. Après la désactivation, l'eau ne doit pas refluer de la conduite de refoulement vers le réservoir. Sur les installations doubles, les deux pompes doivent s'enclencher alternativement.

Le délai retard doit être corrigé en fonction des conditions d'installation et de la hauteur de refoulement de façon à ce que la pompe vide le réservoir collecteur au maximum et ne fonctionne que brièvement en mode ronflant (bruit plus fort lors du pompage). Le tube plongeur ne doit plus être immergé dans le liquide à la fin du pompage (affichage 0 cm dans la commande). Le délai retard peut être modifié sur le boîtier de commande.

Pendant l'essai de fonctionnement, contrôler l'étanchéité de toutes les conduites et armatures et la refaire si nécessaire.

Si l'installation fonctionne correctement, la laisser en mode automatique.

## **7. MAINTENANCE/ENTRETIEN**

### **7.1 Calendrier d'inspection et de maintenance**

Calendrier d'inspection et de maintenance selon la norme DIN 1986 partie 31 : « Les stations de relevage des eaux usées doivent être contrôlées mensuellement par l'exploitant en observant un cycle de pompage et l'étanchéité.[...]La maintenance de l'installation doit être réalisée par un expert. Les intervalles de périodicité ne doivent pas être supérieurs à :

1. Un trimestre dans les entreprises industrielles
2. Un semestre dans les logements collectifs
3. Un an dans les logements individuels»

### **7.2 Travaux de maintenance**



**DANGER**



**Avant tous travaux sur l'installation, débrancher la prise du réseau!**

#### **7.2.1 Réservoir collecteur**

Ouvrir le capot supérieur et arroser le réservoir à l'aide d'un tuyau pour détacher les dépôts des parois du réservoir.



## 7.2.2 Divers

Tous les travaux de maintenance supplémentaires doivent être réalisés par le service SAV.

# 8. PANNES, CAUSES ET RÉOLUTION



**DANGER**



**Avant tous travaux sur l'installation, débrancher la prise du réseau !**

Dysfonctionnement	Cause	Résolution
1. Le moteur ne tourne pas	<ul style="list-style-type: none"><li>- tension trop faible, absente</li><li>- connexion d'alimentation incorrecte</li><li>- câble d'alimentation défectueux</li><li>- défaillance au niveau du condensateur (uniquement sur moteur à courant monophasé)</li><li>- rotor ou roue bloqué</li><li>- contacteur de moteur désactivé en raison de la surchauffe; blocage, défaut de tension</li><li>- défaillance de commande / pressostat défectueux</li><li>- fuite du tuyau flexible pneumatique ou du raccordement</li><li>- défaillance du moteur</li></ul>	<ul style="list-style-type: none"><li>- contrôler l'alimentation</li><li>- corriger</li><li>- remplacement / service SAV</li><li>- remplacement / service SAV</li><li>- nettoyer</li><li>- contrôler / service SAV</li><li>- contrôler / service SAV</li><li>- contrôle / remplacement</li><li>- remplacement / service SAV</li></ul>
2. Le moteur tourne mais ne refoule pas de liquide	<ul style="list-style-type: none"><li>- roue obstruée ou usée</li><li>- clapet anti-retour obstrué</li><li>- vanne d'arrêt obstruée ou fermée</li><li>- conduite de refoulement obstruée</li><li>- tubulure d'aspiration obstruée</li><li>- sens de rotation incorrect</li><li>- manque d'eau dans le réservoir</li><li>- aération du réservoir obstruée</li><li>- purge du carter de la pompe obstruée</li></ul>	<ul style="list-style-type: none"><li>- nettoyage / remplacement</li><li>- nettoyer</li><li>- nettoyer / ouvrir</li><li>- nettoyer</li><li>- nettoyer</li><li>- corrigern</li><li>- désactiver / service SAV</li><li>- nettoyer</li><li>- nettoyer</li></ul>
3. Le moteur tourne et s'arrête	<ul style="list-style-type: none"><li>- tension erronée ou fluctuante</li><li>- thermocontacteur mis en place de manière incorrecte</li><li>- consommation de courant trop élevée</li></ul>	<ul style="list-style-type: none"><li>- corriger / service SAV</li><li>- contrôler / service SAV</li><li>- service SAV</li></ul>
4. Le moteur ne s'arrête pas	<ul style="list-style-type: none"><li>- défaut de commande</li><li>- fonction du manocontacteur incorrecte</li></ul>	<ul style="list-style-type: none"><li>- service SAV</li><li>- remplacement / service SAV</li></ul>

## **9. GARANTIE**

---

En tant que fabricant, nous prenons en charge une garantie de 24 mois à partir de la date d'achat de cet appareil.

La facture en votre possession sert de preuve. Pendant la durée de cette garantie, nous éliminons sans frais, à notre discrétion par réparation ou remplacement, tous les défauts ayant pour origine un vice de matériau ou de fabrication.

Les dommages ayant pour origine une utilisation non-conforme et l'usure sont exclus de la garantie. Nous déclinons toute responsabilité en matière de dommages consécutifs liés à une panne de l'équipement.

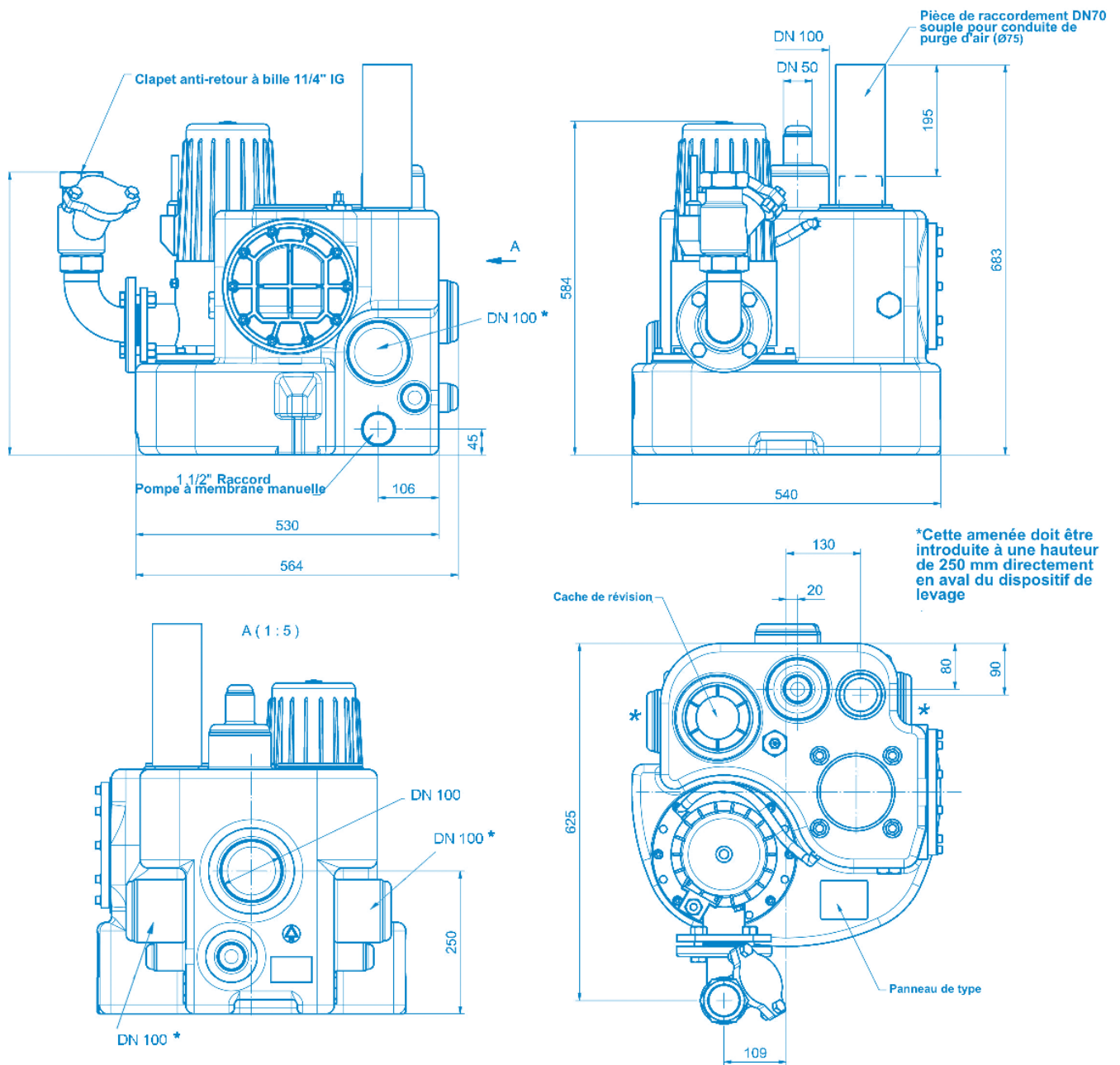
## **10. MODIFICATIONS TECHNIQUES**

---

Nous nous réservons le droit d'effectuer des modifications techniques dans le cadre d'une amélioration technique.

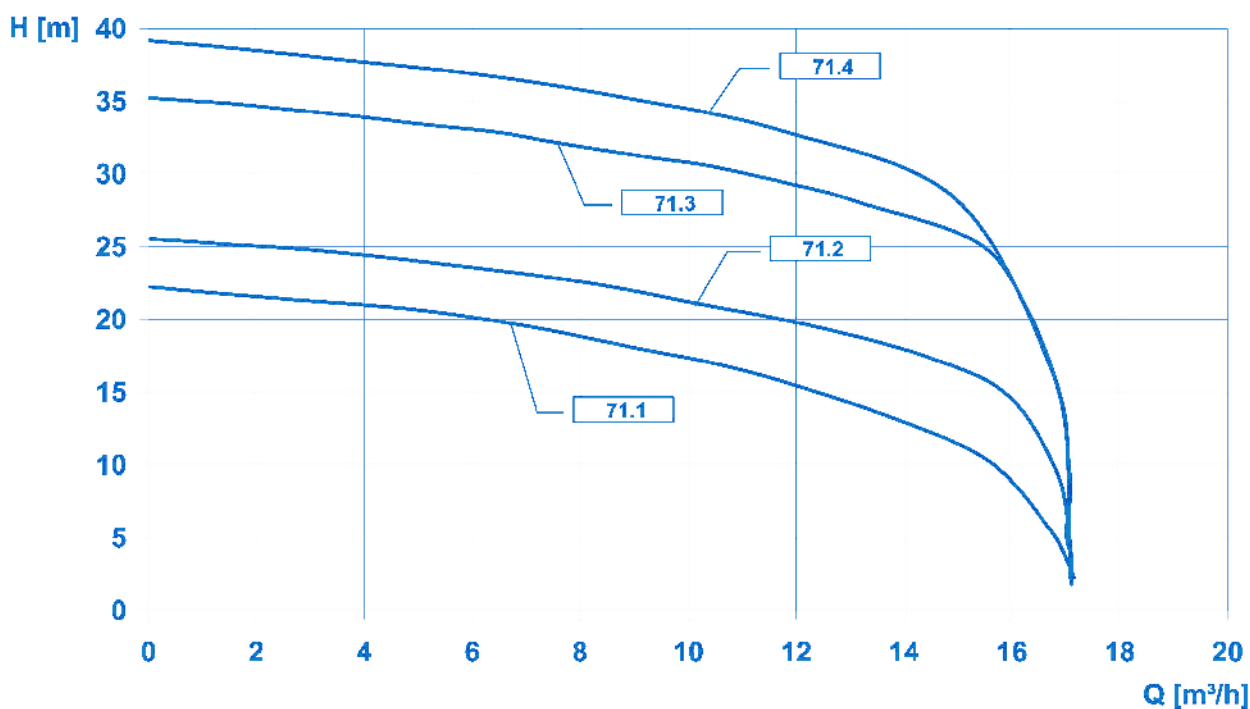
# Annexe A: Dimensions principales

## SANICUBIC® 1 GR





## Annexe B: Diagramme de puissance

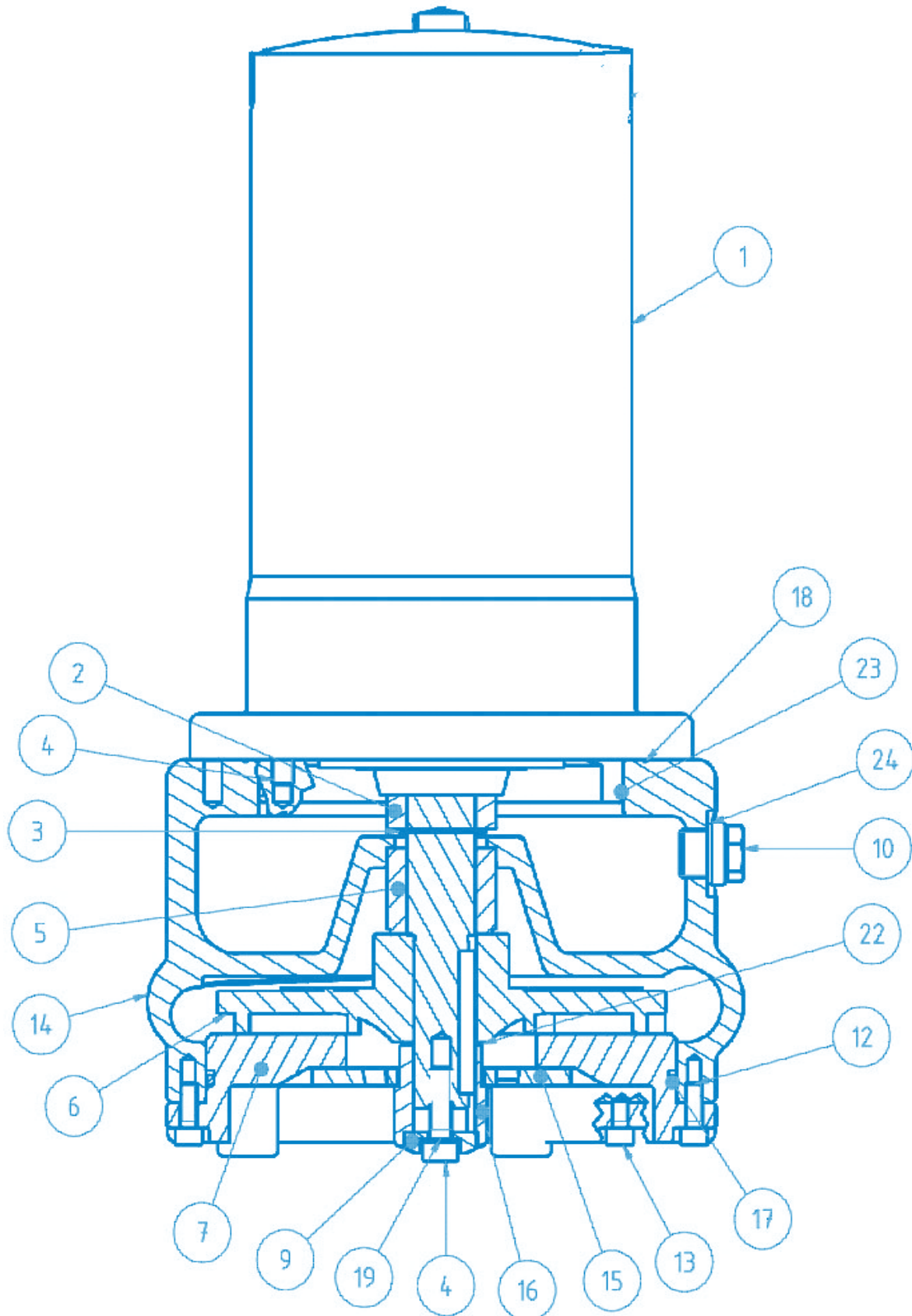


## Annexe C: Liste de pièces de rechange

Pos.	Pcs.	Dénomination	Réf. d'article
	1	Réservoir SANICUBIC® GR SE71	117337
	(1)	Réservoir SANICUBIC® 2 GR SE71	
	1 (2)	Bouche d'aspiration SANICUBIC® GR SE71	17481
	1 (2)	Tuyau flexible droit R 3/8"	117191
	1	Tubes de Pitot complet	60219
	1	Capot de contrôle avec joints d'étanchéité	117012
	(2)	Capot de contrôle pour installation double	
	(2)	Joint d'étanchéité du capot de contrôle d'installation double	
	1	Appareil de distribution SANICUBIC® GR SE71 230 V	200102
	1	Appareil de distribution SANICUBIC® GR SE71 400 V	255302
	(1)	Appareil de distribution SANICUBIC® 2 GR SE71 400 V	

## Annexe D : Dessin en coupe et liste des pièces de rechange de la pompe

### Dessin en coupe de la pompe



## Liste des pièces de rechange pour la pompe

Pos.	Réf. art.	Désignation	Quantité
	17749	Pompe pour SANICUBIC® 1 GR SE71.1 S	1
	17463	Pompe pour SANICUBIC® GR SE71.1 T	1 (2)
	17562	Pompe pour SANICUBIC® GR SE71.2 T	1 (2)
	17563	Pompe pour SANICUBIC® GR SE71.3 T	1 (2)
	17564	Pompe pour SANICUBIC® GR SE71.4 T	1 (2)
1	17587	Moteur recouvert d'un carter SANICUBIC® 1 GR SE71.1 S	1
1	17586	Moteur recouvert d'un carter SANICUBIC® GR SE71.1 T et SE71.2 T	1
1	17588	Moteur recouvert d'un carter SANICUBIC® GR SE71.3 T et SE71.4 T	1
2	17356	GLRD LD1/25-G38 côté moteur	1
3	11679	Joint d'étanchéité DIN471-A25x1,2	1
4	16381	Vis à six-pans creux M8x25-A2	5
5	17377	GLRD MG1/25-G6 côté fluide	1
6	17373	Rotor SANIPUMP® ZFS 71.1 Ø135	1
6	17371	Rotor SANIPUMP® ZFS 71.2 Ø145	1
6	17372	Rotor SANIPUMP® ZFS 71.3 Ø160	1
6	17351	Rotor SANIPUMP® ZFS 71.4 Ø170	1
7	17391	Couvercle SANIPUMP® ZFS 71 de montage sur réservoir	1
8	17109	Vis à tête fraisée M5x10-A2 DIN965	3
9	17352	Raccord vissé de la roue dilacératrice SANIPUMP® ZFS 71	1
10	11640	Bouchon fileté, trait. G 3/8 (Ventilation)	1
10	11639	Bouchon fileté G3/8 DIN910 (huile)	1
11	11663	Piton à visser DIN 580-M8-A2	1
12	15320	Vis à six-pans creux M6x20-A2	4
13	10008	Vis à six-pans creux M6x10-A2	4
14	17355	Carter de pompe SANIPUMP® ZFS 71	1
15	17353	Disque de coupe SANIPUMP® ZFS 71	1
16	17354	Roue dilacératrice SANIPUMP® ZFS 71	1
17	11822	Joint torique 160 x 3,5-NBR70	1
18	11629	Joint torique 147 x 3	1
19	11672	Bague d'étanchéité 8x14x1 Cu	1
20	11659	Poignée de transport	1
21	10666	Vis six pans creux M6x12-A2 DIN 912	2
22	17375	Rondelle d'ajustage 10x30x0,1 1.4301	2
22	17376	Rondelle d'ajustage 10x30x0,5 1.4301	2
23	11656	Joint torique 125x2-NBR70	1
24	11646	Bague d'étanchéité 17x22x1,5 Cu pour Pos 230	2
70	11645	Rondelle dentée de verrouillage S8x13x0,8 A2	4
	11690	Huile blanche technique Wisura NFW	0,4L

<b>1. SICUREZZA</b> .....	<b>p 49</b>
1.1 Identificazione delle avvertenze contenute nelle istruzioni per l'uso	p 50
1.2 Qualificazione e formazione del personale .....	p 50
1.3 Pericoli in caso di inosservanza delle avvertenze di sicurezza	p 50
1.4 Lavorare in sicurezza .....	p 50
1.5 Avvertenze di sicurezza per il gestore/operatore .....	p 50
1.6 Avvertenze di sicurezza per lavori di manutenzione, ispezione e montaggio .....	p 51
1.7 Trasformazione non autorizzata e produzione di pezzi di ricambio.	p 51
1.8 Modalità di funzionamento vietate .....	p 51
<b>2. INFORMAZIONI GENERALI</b> .....	<b>p 51</b>
2.1 Introduzione .....	p 51
2.2 Richieste e ordini .....	p 52
2.3 Dati tecnici .....	p 52
2.4 Campo di applicazione .....	p 52
2.5 Dotazione di fornitura .....	p 53
<b>3. TRASPORTO E STOCCAGGIO INTERMEDIO</b> .....	<b>p 53</b>
3.1 Trasporto .....	p 53
3.2 Stoccaggio provvisorio/conservazione .....	p 53
<b>4. DESCRIZIONE</b> .....	<b>p 53</b>
4.1 Informazioni generali .....	p 53
4.2 Assemblaggio e modalità operativa .....	p 53
<b>5. INSTALLAZIONE</b> .....	<b>p 53</b>
5.1 Preparazione.....	p 53
5.2 Montaggio .....	p 54
<b>6. MESSA IN SERVIZIO</b> .....	<b>p 56</b>
<b>7. MANUTENZIONE</b> .....	<b>p 57</b>
7.1 Intervalli di ispezione e manutenzione .....	p 57
7.2 Lavori di manutenzione.....	p 57
<b>8. GUASTI, CAUSE E RISOLUZIONE</b> .....	<b>p 57</b>
<b>9. GARANZIA</b> .....	<b>p 58</b>
<b>10. MODIFICHE TECNICHE</b> .....	<b>p 58</b>
Allegato A : Dimensioni principali.....	p 59
Allegato B : Diagramma delle prestazioni .....	p 61
Allegato C : Parte di ricambio .....	p 61
Allegato D : Disegno in sezione e lista ricambi della pompa.....	p 62



# 1. SICUREZZA

## ATTENZIONE

Questo apparecchio può essere utilizzato da bambini a partire dagli 8 anni e dalle persone con capacità fisiche, sensoriali o mentali ridotte, o prive di esperienza e conoscenze a condizione che siano correttamente sorvegliate o che abbiano ricevuto istruzioni sull'uso sicuro del dispositivo e che ne conoscano i pericoli. I bambini non devono giocare con l'apparecchio. La pulizia e la manutenzione da parte dell'utente non devono essere eseguite da bambini non supervisionati.

## RACCORDO ELETTRICO:

Il raccordo elettrico deve essere eseguito da un elettrotecnico qualificato. Il circuito di alimentazione del dispositivo deve essere messo a terra (classe I) e protetto da un interruttore differenziale a elevata sensibilità (30 mA). I dispositivi senza prese devono essere collegati ad un interruttore principale di alimentazione che garantisca la disconnessione di tutti i poli (distanza di separazione dei contatti: almeno 3 mm). Il collegamento deve servire esclusivamente per alimentare l'apparecchio.





Se il cavo di alimentazione è danneggiato, deve essere sostituito dal fabbricante, dal servizio clienti o da persone con qualifica simile per evitare qualsiasi rischio.

Le presenti istruzioni per l'uso valgono per le stazioni di pompaggio delle acque reflue con pompa/e con tritatore della serie SANICUBIC® GR.

L'inosservanza delle istruzioni per l'uso - in particolare delle istruzioni di sicurezza - così come la modifica non autorizzata dell'apparecchio o l'installazione di pezzi di ricambio non originali, invalidano automaticamente la garanzia. Il fabbricante non risponde di danni da questo derivanti!

Come ogni altro apparecchio elettrico, questo prodotto può non funzionare per mancanza di corrente o per un difetto tecnico. Se questo può causare danni, è necessario progettare un gruppo elettrogeno di emergenza, una pompa manuale a membrana, un secondo sistema (doppio sistema) e/o un sistema di allarme indipendente dalla rete a seconda dell'applicazione. Anche dopo l'acquisto siamo a vostra disposizione come produttori per fornirvi consulenza. In caso di difetti o sinistri rivolgersi al proprio rivenditore.

## 1.1 Identificazione delle avvertenze contenute nelle istruzioni per l'uso

	<b>Pericolo</b> Questo termine definisce un pericolo derivante da rischi elevati che potrebbero portare alla morte o lesioni gravi, se non evitati.
	<b>Zona pericolosa</b> Questo simbolo indica pericoli che possono portare alla morte o a lesioni.
	<b>Tensione elettrica pericolosa</b> Questo simbolo caratterizza i pericoli insiti alla tensione elettrica e fornisce informazioni sulla protezione contro la sovratensione.
	<b>Danni materiali</b> Questo simbolo caratterizza, insieme con la parola chiave <b>ATTENZIONE</b> dei pericoli per la macchina.

Note applicate direttamente alla macchina, ad es. freccia direzionale, caratteristiche delle connessioni del fluido, devono essere osservati e tenuti in condizioni di piena leggibilità.

## 1.2 Qualificazione e formazione del personale

Il personale addetto al funzionamento, alla manutenzione, all'ispezione e al montaggio deve essere adeguatamente qualificato per questi lavori. L'ambito di responsabilità, competenza e supervisione del personale devono essere regolamentati con cura dal gestore. Se il personale non dispone delle conoscenze necessarie, deve essere addestrato e istruito. Se necessario, ciò può essere fatto dal produttore/fornitore per conto del gestore della macchina. Inoltre, il gestore deve assicurarsi che il contenuto delle istruzioni per l'uso sia pienamente compreso dal personale.

## 1.3 Pericoli in caso di inosservanza delle avvertenze di sicurezza

La mancata osservanza delle norme di sicurezza può mettere in pericolo le persone, l'ambiente e la macchina. L'inosservanza delle istruzioni di sicurezza può comportare la perdita di qualsiasi diritto al risarcimento danni.

In particolare, la mancata osservanza può comportare, ad esempio, i seguenti pericoli:

- Guasto di funzioni importanti della macchina/impianto
- Mancato rispetto dei metodi prescritti per l'assistenza e la manutenzione
- Pericolo per le persone dovuto a effetti elettrici, meccanici e chimici
- Rischio per l'ambiente dovuto alla fuoriuscita di sostanze pericolose.

## 1.4 Lavorare in sicurezza

Rispettare le indicazioni di sicurezza contenute nelle presenti istruzioni per l'uso, le norme antinfortunistiche nazionali vigenti e le eventuali norme interne di lavoro, operative e di sicurezza dell'operatore.

## 1.5 Avvertenze di sicurezza per il gestore/operatore

- Se parti calde o fredde della macchina comportano rischi, queste parti devono essere protette dal contatto a cura del cliente.
- La protezione contro il contatto con parti in movimento (ad es. giunto) non deve essere rimossa durante il funzionamento della macchina.
- Le perdite (ad es. della guarnizione per alberi) di materiali pericolosi (ad es. esplosivi, tossici, caldi) devono essere rimosse in modo che non sussistano pericoli per le persone o per l'ambiente. Devono essere rispettate le disposizioni di legge.

- I pericoli derivanti dall'energia elettrica devono essere esclusi (per i dettagli si vedano, ad esempio, le disposizioni della VDE e delle aziende locali di approvvigionamento energetico).

## **1.6 Avvertenze di sicurezza per lavori di manutenzione, ispezione e montaggio**

Il gestore deve assicurarsi che tutti i lavori di manutenzione, ispezione e installazione siano eseguiti da personale specializzato, autorizzato e qualificato, che si sia sufficientemente informato con uno studio approfondito delle istruzioni per l'uso.

In linea di principio, i lavori sulla macchina devono essere eseguiti solo a macchina ferma. Attenersi scrupolosamente alla procedura descritta nelle istruzioni per l'uso per l'arresto della macchina.

Le pompe o le unità di pompaggio che trasportano fluidi pericolosi per la salute devono essere decontaminate. Immediatamente dopo il completamento dei lavori, tutti i dispositivi di sicurezza e di protezione devono essere rimontati o messi in funzione.

Prima della (ri)messa in servizio è necessario rispettare i punti elencati nella sezione di messa in servizio.

## **1.7 Trasformazione non autorizzata e produzione di pezzi di ricambio**

La macchina può essere convertita o modificata solo previa consultazione con il costruttore. I pezzi di ricambio originali e gli accessori autorizzati dal produttore servono a scopi di sicurezza. L'uso di altre parti può annullare la responsabilità per le conseguenze che ne derivano.

## **1.8 Modalità di funzionamento vietate**

La sicurezza di funzionamento della macchina fornita è garantita solo se utilizzata in conformità alla sezione *2-Informazioni generali* delle istruzioni per l'uso. I valori limite indicati nella scheda tecnica non devono in nessun caso essere superati.

# **2. INFORMAZIONI GENERALI**

## **2.1 Introduzione**

Le presenti istruzioni per l'uso valgono per le stazioni di pompaggio delle acque reflue con pompa/e con trituratore della serie SANICUBIC® GR.

**L'inosservanza delle istruzioni per l'uso - in particolare delle istruzioni di sicurezza - così come la modifica non autorizzata dell'apparecchio o l'installazione di pezzi di ricambio non originali, invalidano automaticamente la garanzia. Il fabbricante non risponde di danni da questo derivanti!**

**Come ogni altro apparecchio elettrico, questo prodotto può non funzionare per mancanza di corrente o per un difetto tecnico. Se questo può causare danni, è necessario progettare un gruppo elettrogeno di emergenza, una pompa manuale a membrana, un secondo sistema (doppio sistema) e/o un sistema di allarme indipendente dalla rete a seconda dell'applicazione. Anche dopo l'acquisto siamo a vostra disposizione come produttori per fornirvi consulenza. In caso di difetti o sinistri rivolgersi al proprio rivenditore**

## Prodotti della gamma :

SANICUBIC® 1 GR SE71.1 S	SANICUBIC® 2 GR SE71.1 T
SANICUBIC® 1 GR SE71.1 T	SANICUBIC® 2 GR SE71.2 T
SANICUBIC® 1 GR SE71.2 T	SANICUBIC® 2 GR SE71.3 T
SANICUBIC® 1 GR SE71.3 T	SANICUBIC® 2 GR SE71.4 T
SANICUBIC® 1 GR SE71.4 T	

## 2.2 Richieste e ordini

Le richieste e gli ordini possono essere indirizzati al vostro rivenditore specializzato.

## 2.3 Dati tecnici

Tipo de SANICUBIC® GR	Potenza P1 [kW]	Potenza P2 [kW]	Tensione U [V]	Corrente nominale I <sub>N</sub> [A]	Velocità a 50 Hz [n·1]	Flangia pompa	Alimentazione	Altezza di aspirazione h [mm]
SE71.1 S	2,2	1,7	230	10,5	2 800	DN 50	Singolo impianto: DN 100 DN 50/100	250
SE71.1 T	2,1	1,7	400	3,7	2 800	DN 50		576
SE71.2 T	2,1	1,7	400	3,7	2 800	DN 50		
SE71.3 T	3,9	3,2	400	6,5	2 800	DN 50	Impianto doppio: DN 100 DN 100/150	250
SE71.4 T	3,9	3,2	400	6,5	2 800	DN 50		586

Temperatura massima del fluido: 55 °C

Diametro minimo dell'apertura di alimentazione per la stazione di pompaggio singola completa: 600 mm

## Materiali

<b>Serbatoio</b>	PE LD	<b>Lame da taglio</b>	acciaio inox
<b>Corpo della pompa</b>	GG 20	<b>Albero motore</b>	acciaio inox
<b>Girante</b>	GG 20	<b>Guarnizioni</b>	NBR, FPM
<b>Supporto della guarnizione</b>	GG 20	<b>Tenute ad anello scorrevole</b>	SiC (carburo di silicio)
<b>Ruota flangiata</b>	acciaio inox		

## 2.4 Campo di applicazione

Le stazioni di pompaggio della serie SANICUBIC® GR sono utilizzate per lo smaltimento (raccolta e convogliamento) di acque reflue domestiche e industriali e fognarie, che si accumulano sotto il livello di riflusso della rete fognaria.

La versione con pompe a gruppo di taglio consente di pompare con prevalenze e lunghezze delle tubazioni di mandata di grandi dimensioni. La tubazione di mandata può essere posata nella dimensione DN 50.

### Limiti di applicazione :

• **La stazione di pompaggio non è progettato per il funzionamento continuato! I dati di prestazione riportati sulla targhetta di fabbrica sono validi solo per il funzionamento intermittente (S3 25 %).**

• **La portata massima ammissibile in ingresso deve essere sempre inferiore alla portata di una pompa (vedi targhetta)**

### Non devono essere introdotti, tra l'altro :

• **Materiali solidi, materiali fibrosi, catrame, sabbia, cemento, cenere, carta grezza, asciugamani di carta, panni monouso, cartone, detriti, rifiuti, rifiuti di macellazione, grassi, oli.**

• **Tutti gli oggetti di drenaggio al di sopra del livello dell'acqua di scarico (EN 12 056-1).**

• **Acque reflue contenenti sostanze nocive (DIN 1986-100), ad es. acque reflue grasse delle mense. Il grasso può essere immesso solo attraverso un separatore di grassi secondo la norma DIN 4040-1.**

## 2.5 Dotazione di fornitura

Le stazioni di pompaggio delle acque reflue della serie SANICUBIC® GR sono fornite in dotazione :

- pompa(e) con trituratore montata(e) della serie SANIPUMP® ZFS 71
- Attacco per pompa manuale a membrana o drenaggio d'emergenza
- Comando pneumatico e scatola di comando
- Collegamento flessibile per la ventilazione dell'area di raccolta
- Tubo curvo di scarico della pressione DN 32
- Valvola(e) di non ritorno a sfera DN 32
- Tubo a tre vie a Y DN 32/50/32 (solo per impianto doppio).

## 3. TRASPORTO E STOCCAGGIO INTERMEDIO

### 3.1 Trasporto

Gli impianti di sollevamento dei reflui fognari delle della serie SANICUBIC® GR non devono essere scaraventati o fatte cadere. Devono inoltre essere trasportati verticalmente.

### 3.2 Stoccaggio provvisorio/conservazione

Per lo stoccaggio e la conservazione temporanea è sufficiente conservare il prodotto in un luogo fresco, buio, asciutto e protetto dal gelo.

## 4. DESCRIZIONE

### 4.1 Informazioni generali

Le stazioni di pompaggio delle acque reflue della serie SANICUBIC® GR sono unità di sollevamento singole o doppie, pronte per il collegamento, con serbatoi di raccolta in plastica a tenuta di gas e odori che possono essere allagati per brevi periodi. Funzionano con pompe a gruppo di taglio verticale con controllo pneumatico automatico del livello. Sono dotati di scatola di comando e di tutti gli elementi di commutazione necessari.

### 4.2 Assemblaggio e modalità operativa

Le acque reflue scorrono in pendenza naturale nel serbatoio di raccolta della stazione di pompaggio delle acque reflue SANICUBIC® GR.

#### ATTENZIONE



Solo l'attacco laterale (impianto singolo) o posteriore (impianto doppio) DN 100 con altezza di 250 mm e l'attacco superiore DN 50/100 (impianto singolo) possono essere utilizzati come ingressi DN 100/150 (impianto doppio) può essere utilizzato direttamente. **Se si utilizzano gli ingressi con un'altezza di 180 mm, il tubo di ingresso deve essere fatto passare immediatamente dopo la stazione di pompaggio fino a 250 mm sopra il livello di installazione.**

Il serbatoio di raccolta è progettato per il funzionamento in assenza di pressione, cioè le acque reflue vengono stoccate temporaneamente senza pressione e quindi convogliate nel rispettivo canale.

Nel tubo di pitot avvitato nella parte superiore del serbatoio, l'acqua sale e comprime l'aria nel tubo di pitot fino a quando la pressione attiva il pressostato di pitot nella scatola di comando. La pompa viene quindi attivata e pompa l'acqua dal serbatoio attraverso la tubazione in pressione nel canale superiore. Sulla stazione di pompaggio SANICUBIC® 2 GR è presente un deviatore nella scatola di comando che accende alternativamente le pompe. Solo in caso di sovraccarico (una pompa non è in grado di far fronte alla quantità d'acqua in entrata) si attiva la seconda pompa. Una valvola di non ritorno a sfera, su impianti doppi due valvole di non ritorno a sfera, impediscono il ritorno dell'acqua dalla tubazione di mandata nel serbatoio. Il dispositivo di commutazione è dotato di un allarme acustico che si attiva in caso di guasto della pompa (e) o se il livello dell'acqua nel serbatoio è troppo alto.

Inoltre, nel quadro sono disponibili contatti di allarme per dispositivi di allarme collegati esternamente (campanello, segnalatore acustico, ecc.). Per la posizione fare riferimento allo schema elettrico del dispositivo di commutazione.

## 5. INSTALLAZIONE

### 5.1 Preparativi

Il funzionamento senza problemi della stazione di pompaggio dipende non da ultimo da un'installazione corretta e senza problemi. Per questo motivo, è necessario osservare i seguenti punti:

- Il luogo di installazione deve essere un ambiente ben ventilato, asciutto e privo di gelo.
- Il luogo di installazione deve essere sufficientemente dimensionato. L'altezza del locale deve essere compresa tra 2 e 2,5 m circa. Secondo la norma DIN 1986 parte 3 si applica quanto segue: "... Tutti i componenti del sistema....(e)....tutti gli elementi operativi....devono essere sempre accessibili in modo sicuro e facili da usare. ...Questi componenti dell'impianto non devono essere bloccati da merci in magazzino, mobili, cappottature o simili...."
- Le fondamenta del locale di installazione deve essere progettata in base ai possibili carichi che possono verificarsi, a seconda delle dimensioni dell'impianto.
- Le acque sotterranee o di infiltrazione spesso si raccolgono nei locali più bassi. Pertanto, in un angolo del locale in cui questi liquidi si raccolgono e possono essere smaltiti con una pompa di drenaggio per locali interrati.
- Un gancio a soffitto sopra il luogo di installazione della stazione di pompaggio facilita l'installazione, nonché gli interventi di manutenzione e riparazione della pompa.
- Prima di iniziare l'installazione, tutte le dimensioni della costruzione e dei tubi devono essere verificate e confrontate con le dimensioni dell'impianto. Particolare cura deve essere prestata per garantire che il tubo di ingresso sempre in discesa non sia inferiore all'altezza di ingresso del serbatoio di raccolta.

### 5.2 Montaggio

Durante l'installazione è essenziale garantire che le tubazioni e le valvole siano installate senza tensioni e a tenuta stagna.

#### 5.2.1 Installazione

Le stazioni di pompaggio delle acque reflue della serie SANICUBIC® GR sono allineate sul luogo di installazione in base alle tubazioni esistenti. Qui viene ora montata esattamente in orizzontale e fissata al pavimento con le viti di fissaggio in dotazione.

DIN 19 760 Parte 1: "...La stazione di pompaggio delle acque reflue deve essere progettata in modo tale da evitare torsioni e galleggiamenti mediante dispositivi di fissaggio...."

#### 5.2.2 Alimentazione

##### ATTENZIONE



Solo l'attacco laterale DN 100 con altezza 250 mm e l'attacco superiore DN 50/100 per impianti singoli o DN 100/150 per impianti doppi possono essere utilizzati direttamente come ingressi. **I due ingressi laterali con un'altezza di 180 mm devono essere guidati subito dopo la stazione di sollevamento ad un'altezza di 250 mm sopra il livello di installazione!**

Per collegare la linea di ingresso, tagliare il coperchio dal raccordo di ingresso richiesto. Inserire quindi la linea di ingresso sul raccordo. L'ingresso posteriore della doppia stazione di pompaggio deve essere aperto con una sega a tazza o una lama e non deve mai essere colpito da un martello!

### IMPORTANTE:

Quando si utilizza l'altezza di aspirazione minima di 250 mm, è necessario assicurarsi che il controllo di livello sia impostato in modo che nel normale funzionamento il livello dell'acqua nel serbatoio salga leggermente al di sopra del bordo inferiore fino ad un massimo di ½ di riempimento del tubo di aspirazione prima dell'accensione della pompa. Pertanto, si avrà un livello d'acqua corrispondente in tutti i tubi che sono collegati più in basso. Nel caso delle linee di alimentazione, ciò può portare a depositi di sporco in questa zona e, in casi estremi, all'intasamento della linea. Se possibile, si dovrebbe quindi utilizzare l'ingresso dall'alto.

### **5.2.3 Tubo di mandata**

La curva della flangia DN 32, 900 è montata sull'uscita di mandata orizzontale della pompa e termina verticalmente con una filettatura di 5/4".

L'installazione delle valvole di ritegno a sfera incluse nella fornitura nella tubazione di mandata della stazione di pompaggio è assolutamente indispensabile: DIN 19 760 parte 3: "...Le valvole di ritegno devono impedire automaticamente il riflusso dell'acqua di scarico dalla tubazione di mandata dopo l'interruzione del flusso. Quando inizia il trasporto, il dispositivo antiriflusso deve aprirsi automaticamente...."

Si raccomanda di installare una valvola di non ritorno dietro la valvola di ritegno a sfera per facilitare la pulizia o l'eventuale sostituzione delle valvole di ritegno a sfera.

Il raccordo a tre vie a Y con uscita di pressione DN50 (flangia) è compreso nella fornitura per le stazioni di pompaggio doppie.

La tubazione di mandata deve essere posata in costante ascesa e senza inutili salti in una curva sul livello di ristagno e poi in costante discesa fino al raccordo del condotto. Se necessario, la tubazione e i raccordi devono essere supportati con fascette o staffe.

### **5.2.4 Ventilazione**

La ventilazione del serbatoio Ø 75 mm viene collegata direttamente al tubo di ventilazione dell'edificio o installata separatamente attraverso il tetto.

### **5.2.5 Collegamento elettrico**

#### Regolamento di sicurezza :

- **Tutti gli impianti elettrici utilizzati devono essere conformi alla norma IEC 364 / VDE 0100, ovvero le prese devono essere dotate di morsetti di messa a terra.**
- **Il collegamento elettrico deve essere eseguito solo da un elettricista qualificato! Osservare le norme VDE 0100!**
- **La rete elettrica a cui è collegato l'impianto deve disporre di un interruttore differenziale separato ad alta sensibilità IA <30 prima del controller, o per evitare un guasto del controller quando scatta l'interruttore differenziale, tra il controllore e la pompa deve essere installato un interruttore differenziale per pompa. Per l'installazione in bagni e docce devono essere rispettate le norme DIN VDE 0100 Parte 701.**
- **Osservare le disposizioni della norma EN 12 056-4.**
- **Nel caso di collegamento trifase in corrente, il fusibile esterno deve essere generalmente dotato di interruttori automatici ad interblocco meccanico a 3 poli con caratteristica K. In questo modo si garantisce un isolamento completo della rete e si evita il funzionamento bifase.**
- **Tutti i dispositivi elettrici come controller, dispositivo di allarme e presa di corrente devono essere installati in locali asciutti per evitare allagamenti.**
- **Attenzione! La pompa deve essere scollegata dalla rete elettrica prima di ogni montaggio e smontaggio o altri lavori sull'impianto.**
- **Un sovraccarico può causare il surriscaldamento del motore. Non toccare mai le superfici calde del motore in caso di surriscaldamento.**
- **Se si utilizza una prolunga, questa deve essere della stessa qualità del cavo di collegamento in dotazione.**

La scatola di comando deve essere installata in modo tale che il tubo flessibile pneumatico per il controllo del livello pneumatico sia installato in continua ascesa. Solo in questo modo è possibile garantire il corretto funzionamento del sistema di controllo automatico. La spina dell'impianto (spina CEE o Schuko per un singolo sistema) viene inserita solo direttamente prima della messa in funzione. I sistemi doppi devono essere collegati direttamente al cavo di rete. È necessario assicurarsi che l'impianto elettrico sia conforme alle direttive VDE applicabili.

Lo schema elettrico per il cablaggio della stazione di pompaggio si trova nella scatola di comando e deve essere lasciato lì per facilitare il lavoro del personale di manutenzione e di assistenza.

## 6. MESSA IN SERVIZIO

Prima della messa in funzione, tutti i collegamenti devono essere nuovamente controllati per verificarne la corretta installazione; la valvola da saracinesca deve essere aperta.

Ora la spina è inserita nella presa (impianto singolo) o la tensione è inserita (impianto doppio) e viene controllato il senso di rotazione della pompa per impianti trifase. Per fare ciò, posizionare brevemente il commutatore manuale/0/automatico su "Manuale". Quando il motore si arresta gradualmente, è possibile confrontare il senso di rotazione sul vetro spia sul lato superiore con il corretto senso di rotazione (freccia del senso di rotazione). Se la pompa si gira al contrario, devono essere sostituite due o tre fasi.

### PERICOLO



**Prima di eseguire qualsiasi lavoro sull'impianto, scollegare la spina rete !**

L'unità di controllo è già predisposta per l'utilizzo di ingressi DN 100 con altezza di aspirazione di 250 mm. Se si utilizza solo l'ingresso superiore, è possibile impostare altri punti di commutazione sul comando per aumentare il volume di stoccaggio.

Altezza di aspirazione minima	Punto di spegnimento N1	Punto di accensione N2	Punto di accensione N3 solo per impianto doppio	Allagamento HW	Volume di commutazione Singolo/Doppio
250 mm	3 cm	14 cm	16 cm	18 cm	26 L / 47 L
428 mm	3 cm	25 cm	26 cm	29 cm	45 L / 80 L

Ora premere il pulsante o i pulsanti "Automatico" ed eseguire una prova. Il contenitore di raccolta viene riempito tramite l'ingresso normale (lavabo, WC, ecc.). L'impianto deve accendersi automaticamente, svuotare il serbatoio e spegnerlo nuovamente. Dopo lo spegnimento, dalla tubazione di mandata non deve defluire acqua nel serbatoio. Negli impianti doppi, entrambe le pompe vengono commutate alternativamente.

A seconda delle condizioni di installazione e della prevalenza di mandata, il tempo di funzionamento per inerzia deve essere corretto in modo che la pompa svuoti al massimo il serbatoio di raccolta e funzioni solo per un breve periodo di tempo (forte rumore durante il pompaggio). Il tubo di Pitot non deve essere più immerso nel liquido al termine del processo di pompaggio (indicazione di 0 cm nell'unità di controllo). Il tempo di funzionamento per inerzia può essere modificato sull'apparecchio di comando.

Durante la prova, si controllano nuovamente tutte le tubazioni e i raccordi per individuare eventuali perdite e, se necessario, vengono nuovamente sigillati.



Se la stazione di pompaggio funziona correttamente, l'unità rimane in modalità automatica.

## 7. MANUTENZIONE

### 7.1 Intervalli di ispezione e manutenzione

Intervalli di ispezione e manutenzione secondo DIN 1986 parte 31: "Le stazioni di pompaggio delle acque reflue devono essere controllate una volta al mese dal gestore per verificarne il funzionamento e la tenuta osservando un ciclo di commutazione. ....L'impianto deve essere revisionato da un esperto. Gli intervalli di tempo non devono essere superiori a

1. 1 trimestre per gli impianti in esercizi commerciali
2. 1 semestre per gli impianti in condomini
3. 1 anno per gli impianti in case unifamiliari"

### 7.2 Lavori di manutenzione



**Prima di eseguire qualsiasi lavoro sull'impianto, scollegare la spina rete!**

#### 7.2.1 Serbatoio di raccolta

Aprire il coperchio di ispezione e spruzzare il serbatoio con l'aiuto di un tubo flessibile per rimuovere i depositi di sporco dalle pareti del serbatoio.

#### 7.2.2 Valvole a sfera di non ritorno

Aprire il coperchio di ispezione e pulire la valvola dall'interno.

#### 7.2.3 Varie

Tutti gli ulteriori interventi di manutenzione devono essere eseguiti dal servizio clienti.

## 8. GUASTI : CAUSE E RISOLUZIONE



**Prima di eseguire qualsiasi lavoro sull'impianto, scollegare la spina rete !**

Anomalia	Causa	Soluzione
1. Il motore non gira	<ul style="list-style-type: none"> <li>- Tensione troppo bassa, tensione assente</li> <li>- Collegamento di alimentazione errato</li> <li>- Cavo di allacciamento difettoso</li> <li>- Guasto del condensatore (solo per motore a corrente alternata)</li> <li>- Girante o motore bloccato</li> <li>- Protezione motore disinserita per surriscaldamento, blocco, errore di tensione</li> <li>- Errore di controllo / pressostato difettoso</li> <li>- Fuoriuscita dal tubo o dalla connessione pneumatica</li> <li>- Motore difettoso</li> </ul>	<ul style="list-style-type: none"> <li>- Controllare l'alimentazione</li> <li>- Correzione</li> <li>- Sostituzione/servizio clienti</li> <li>- Sostituzione/servizio clienti</li> <li>- Pulizia</li> <li>- Controllo/Servizio clienti</li> <li>- Controllo/Servizio clienti</li> <li>- Controllare/sostituire</li> <li>- Sostituzione/servizio clienti</li> </ul>
2. Il motore ruota, ma non pompa	<ul style="list-style-type: none"> <li>- Girante bloccata o usurata</li> <li>- Valvola di ritegno intasata</li> <li>- Valvola a saracinesca bloccata o chiusa</li> <li>- Tubazione di mandata bloccata</li> <li>- Bocchettone di aspirazione bloccato</li> <li>- Senso di rotazione errato</li> <li>- Mancanza d'acqua nel contenitore</li> <li>- Sfiato del serbatoio bloccato</li> <li>- Sfiato del corpo pompa bloccato</li> </ul>	<ul style="list-style-type: none"> <li>- Pulizia/Sostituzione</li> <li>- Pulizia</li> <li>- Pulire/aprire</li> <li>- Pulizia</li> <li>- Pulizia</li> <li>- Correzione</li> <li>- Spegnimento/servizio clienti</li> <li>- Pulizia</li> <li>- Pulizia</li> </ul>
3. Il motore ruota e si spegne	<ul style="list-style-type: none"> <li>- Tensione errata o fluttuante</li> <li>- Protezione termica progettata in modo errato</li> <li>- Consumo di corrente troppo elevato</li> </ul>	<ul style="list-style-type: none"> <li>- Correzione/Servizio clienti</li> <li>- Controllo/Servizio clienti</li> <li>- Assistenza clienti</li> </ul>
4. Il motore non si spegne	<ul style="list-style-type: none"> <li>- Errore di controllo</li> <li>- La funzione del pressostato non è corretta</li> </ul>	<ul style="list-style-type: none"> <li>- Assistenza clienti</li> <li>- Sostituzione/Servizio clienti</li> </ul>

## 9. GARANZIA

Come produttore, garantiamo questo apparecchio per 24 mesi dalla data di acquisto.

Lo scontrino fiscale vale come prova d'acquisto. Entro questo periodo di garanzia, a nostra scelta, ripareremo o sostituiremo gratuitamente tutti i difetti attribuibili a difetti di materiale o di fabbricazione mediante riparazione o sostituzione.

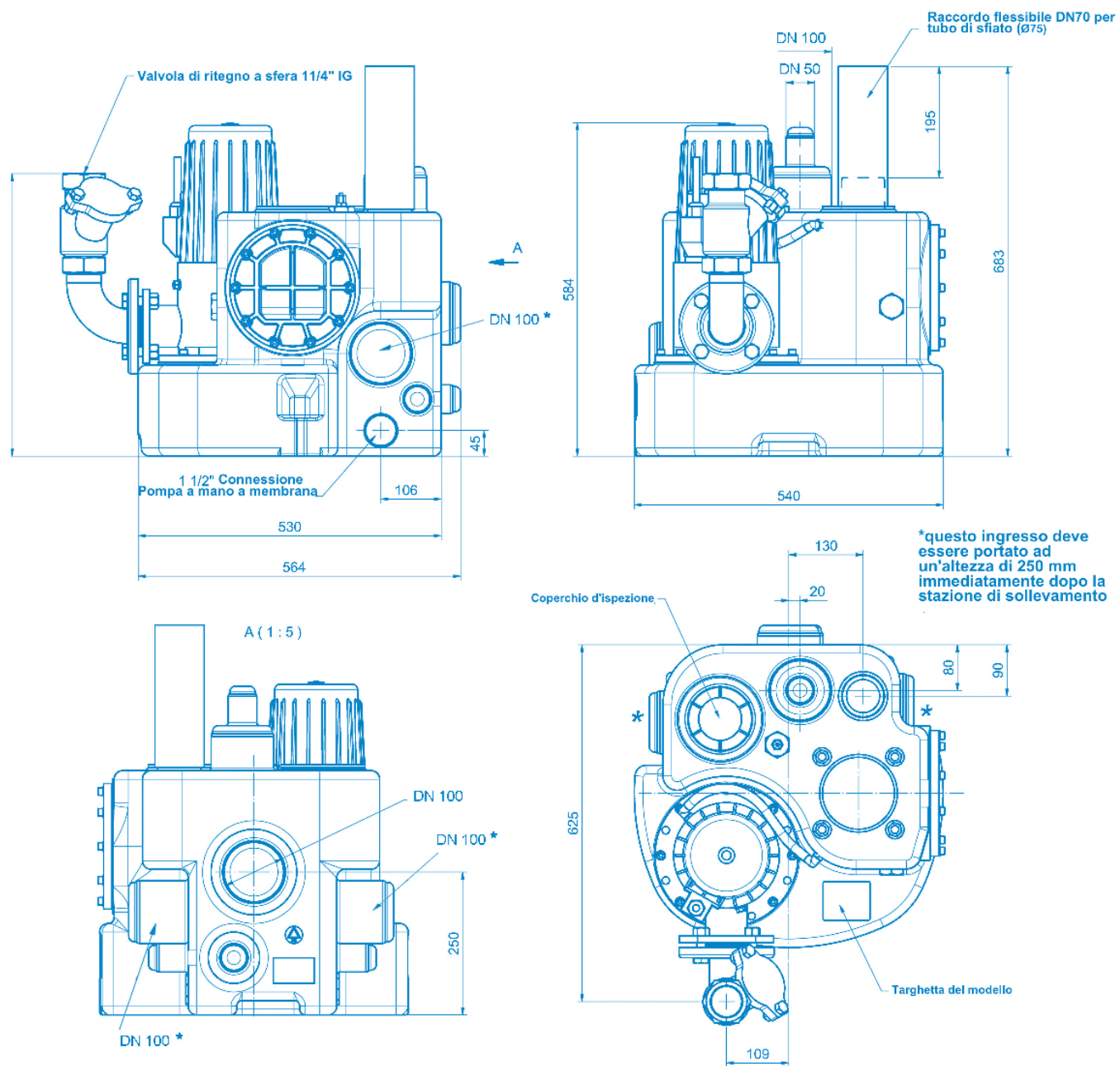
Sono esclusi dalla garanzia i danni causati da un uso improprio e dall'usura. Non ci assumiamo alcun danno consequenziale causato da un guasto dell'apparecchio

## 10. MODIFICHE TECNICHE

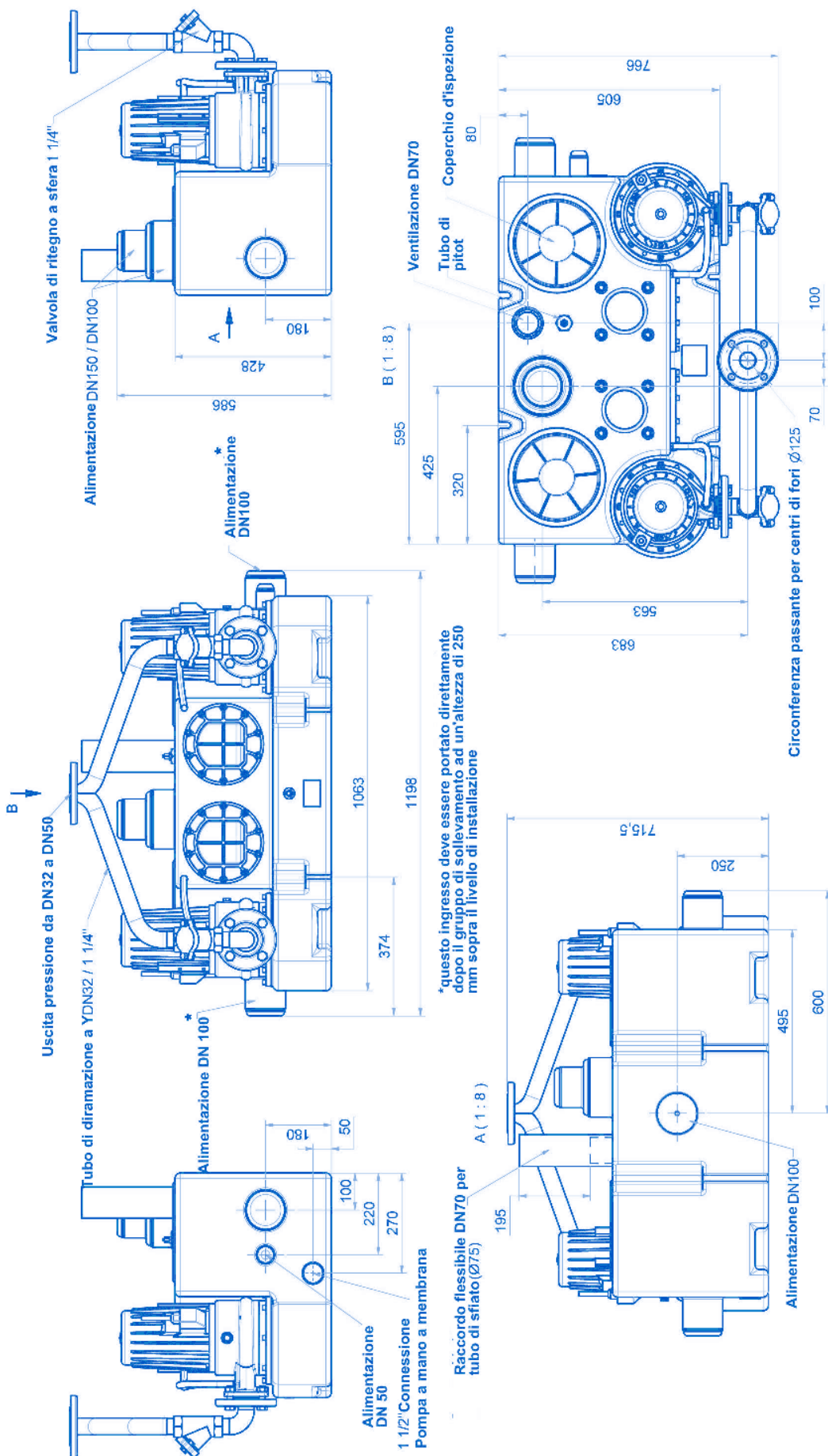
Ci riserviamo il diritto di apportare modifiche tecniche allo scopo di ulteriore sviluppo.

# Allegato A: Dimensioni principali

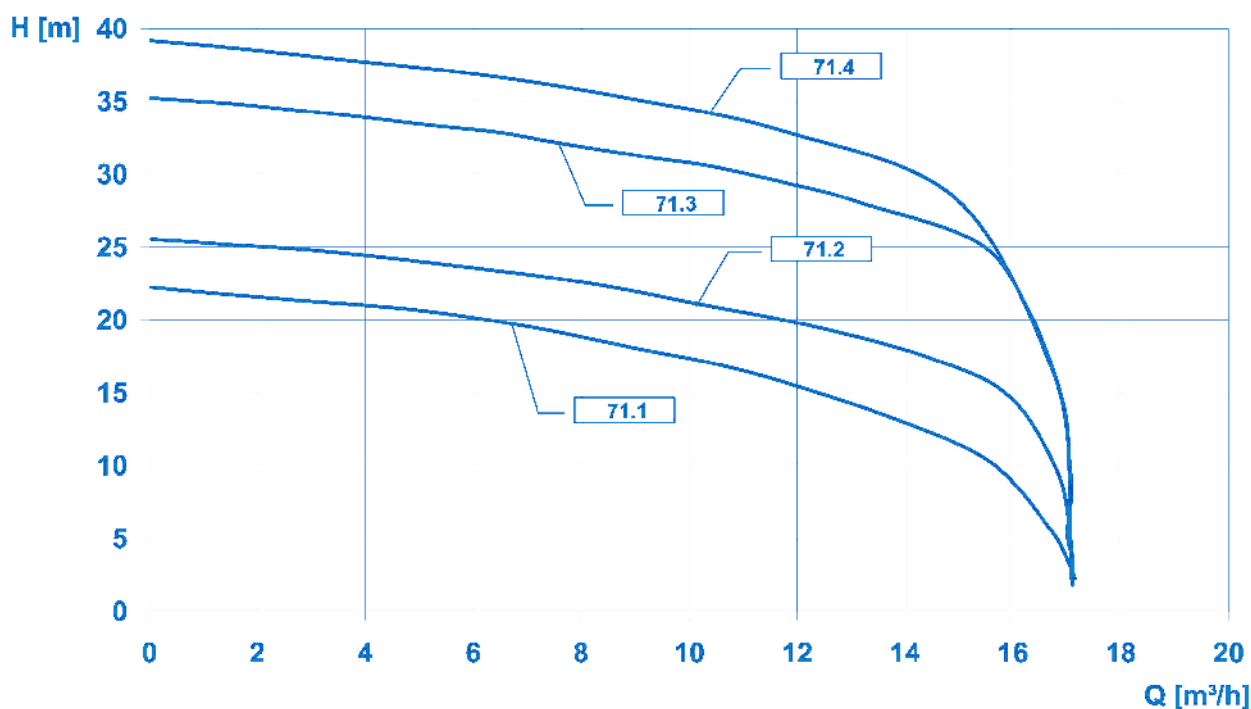
## SANICUBIC® 1 GR



# SANICUBIC® 2 GR



## Allegato B: Diagramma delle prestazioni

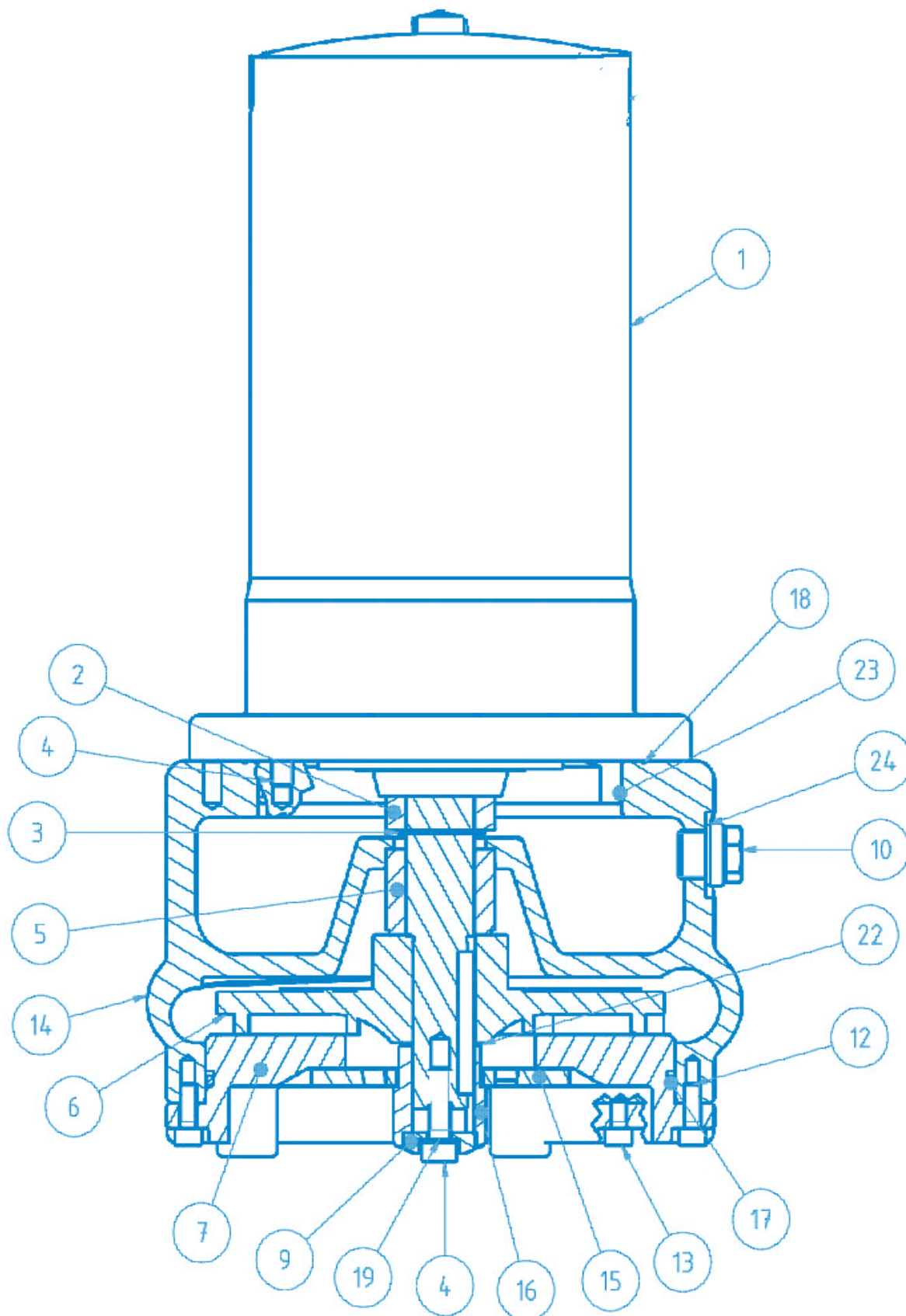


## Allegato C: Parte di ricambio

Pos.	Pz.	Denominazione	N° articolo
	1	Serbatoio SANICUBIC® GR SE71	117337
	(1)	Serbatoio SANICUBIC® 2 GR SE71	
	1 (2)	Bocca di aspirazione SANICUBIC® GR SE71	17481
	1 (2)	Boccola del tubo flessibile diritta R 3/8"	117191
	1	Tubo di Pitot completo	60219
	1	Coperchio di ispezione con guarnizione	117012
	(2)	Sistema a doppio coperchio di ispezione	
	(2)	Guarnizione per coperchio di ispezione Unità doppia	
	1	Dispositivo di commutazione SANICUBIC® GR SE71 230 V	200102
	1	Dispositivo di commutazione SANICUBIC® GR SE71 400 V	255302
	(1)	Dispositivo di commutazione SANICUBIC® 2 GR SE71 400 V	

## Allegato D: Disegno in sezione e lista ricambi della pompa

### Disegno in sezione



## Elenco ricambi pompa

Pos.	N° articolo	Designazione	Quantità
	17749	Pompa per SANICUBIC® 1 GR SE71.1 S	1
	17463	Pompa per SANICUBIC® GR SE71.1 T	1 (2)
	17562	Pompa per SANICUBIC® GR SE71.2 T	1 (2)
	17563	Pompa per SANICUBIC® GR SE71.3 T	1 (2)
	17564	Pompa per SANICUBIC® GR SE71.4 T	1 (2)
1	17587	Motore con alloggiamento SANICUBIC® 1 GR SE71.1 S	1
1	17586	Motore con alloggiamento SANICUBIC® GR SE71.1 T und SE71.2 T	1
1	17588	Motore con alloggiamento SANICUBIC® GR SE71.3 T und SE71.4 T	1
2	17356	GLRD LD1/25-G38 Lato motore	1
3	11679	Anello di sicurezza DIN471-A25x1,2	1
4	16381	Vite ad esagono incassato M8x25-A2	5
5	17377	GLRD MG1/25-G6 Lato fluidi	1
6	17373	Girante SANIPUMP® ZFS 71.1 Ø135	1
6	17371	Girante SANIPUMP® ZFS 71.2 Ø145	1
6	17372	Girante SANIPUMP® ZFS 71.3 Ø160	1
6	17351	Girante SANIPUMP® ZFS 71.4 Ø170	1
7	17391	Coperchio SANIPUMP® ZFS 71 per la struttura del serbatoio	1
8	17109	Vite a testa svasata M5x10-A2 DIN965	3
9	17352	Collegamento a vite della lama ZFS 71	1
10	11640	Tappo a vite, bea. G 3/8 (Ventilazione)	1
10	11639	Tappo a vite G3/8 DIN910 (olio)	1
11	11663	Vite ad anello DIN 580-M8-A2	1
12	15320	Vite ad esagono incassato M6x20-A2	4
13	10008	Vite ad esagono incassato M6x10-A2	4
14	17355	Corpo pompa SANIPUMP® ZFS 71	1
15	17353	Inserto da taglio SANIPUMP® ZFS 71	1
16	17354	Lama da taglio SANIPUMP® ZFS 71	1
17	11822	O-ring 160 x 3,5-NBR70	1
18	11629	O-ring 147 x 3	1
19	11672	Anello di tenuta 8x14x1 Cu	1
20	11659	Maniglia	1
21	10666	Vite ad esagono incassato M6x12-A2 DIN 912	2
22	17375	Spessore di rasamento 10x30x0,1 1.4301	2
22	17376	Spessore di rasamento 10x30x0,5 1.4301	2
23	11656	O-ring 125x2-NBR70	1
24	11646	Anello di tenuta 17x22x1,5 Cu per Pos 230	2
70	11645	Disco con nottolino di arresto S8x13x0,8 A2	4
	11690	Wisura olio bianco tecnico NFW	0,4L

<b>1. VEILIGHEID</b> .....	<b>p 65</b>
1.1 Kentekening van aanwijzingen in de gebruikshandleiding .....	p 65
1.2 Personeelscompetenties en scholing .....	p 66
1.3 Gevaren bij niet beachten van de veiligheidsinstructies.....	p 66
1.4 Veiligheidsbewust werken .....	p 66
1.5 Veiligheidsinstructies voor de eigenaar/bediener .....	p 66
1.6 Veiligheidsinstructies voor onderhouds-, inspectie- en montagewerken.....	p 66
1.7 Eigen ombouw en fabricage van wisselstukken .....	p 67
1.8 Ontoelaatbare werkingswijzen .....	p 67
<b>2. ALGEMEEN</b> .....	<b>p 67</b>
2.1 Inleiding .....	p 67
2.2 Aanvragen en bestellingen .....	p 67
2.3 Technische gegevens .....	p 68
2.4 Toepassing .....	p 68
2.5 Levering .....	p 68
<b>3. TRANSPORT EN TUSSENOPSLAG</b> .....	<b>p 69</b>
3.1 Transport.....	p 69
3.2 Tussenopslag / bewaring.....	p 69
<b>4. BESCHRIJVING</b> .....	<b>p 69</b>
4.1 Algemeen .....	p 69
4.2 Opbouw en werkwijze .....	p 69
<b>5. INSTALLATIE</b> .....	<b>p 69</b>
5.1 Voorbereiding.....	p 69
5.2 Montage .....	p 70
<b>6. INBEDRIJFSTELLING</b> .....	<b>p 71</b>
<b>7. ONDERHOUD</b> .....	<b>p 72</b>
7.1 Inspectie- en onderhoudsintervallen .....	p 72
7.2 Onderhoudswerkzaamheden.....	p 72
<b>8. STORINGEN, OORZAKEN EN VERHELLEN</b> .....	<b>p 73</b>
<b>9. GARANTIE</b> .....	<b>p 73</b>
<b>10. TECHNISCHE WIJZIGINGEN</b> .....	<b>p 74</b>
Bijlage A : Hoofdafmetingen .....	p 75
Bijlage B : Prestatiediagram .....	p 77
Bijlage C : Reserveonderdelenlijst .....	p 77
Bijlage D : Doorsnedetekening en lijst met reserveonderdelen van de pomp .....	p 78



# 1. VEILIGHEID

## PAS OP

Dit apparaat kan worden gebruikt door kinderen vanaf 8 jaar en door personen met lichamelijke, zintuiglijke of verstandelijke beperking of door mensen zonder ervaring of kennis, mits zij onder correct toezicht staan of instructies voor het veilige gebruik van het apparaat hebben gekregen en zij de risico's hebben begrepen. Kinderen mogen niet spelen met het apparaat. De schoonmaak en het onderhoud door de gebruiker mag niet worden uitgevoerd door kinderen zonder toezicht.

## ELEKTRISCHE AANSLUITING:

De elektrische installatie moet door een erkend elektrotechnisch expert worden uitgevoerd.

Het stroomcircuit van het apparaat moet worden geaard (klasse I) en beschermd door een hoge gevoeligheid aardlekschakelaar (30mA). De apparaten zonder stekkers dienen aangesloten te worden op een hoofdschakelaar op het elektriciteitsnet dat de verbreking van alle polen verzekert (scheidingsafstand voor contacten minimaal 3 mm). De koppeling moet uitsluitend worden gebruikt voor de stroomvoorziening van het apparaat. Indien de voedingskabel beschadigd is, dient deze om gevaar te voorkomen, te worden vervangen door de fabrikant, de klantenservice of mensen met soortgelijke bevoegdheden.

Deze gebruikshandleiding bevat basisaanwijzingen, die bij opstelling, werking en onderhoud aan te houden zijn. Daarom is deze gebruiksaanwijzing zeker voor montage en inbedrijfstelling door de monteur alsook door het verantwoordelijke vakpersoneel/operator te lezen en moet die ten allen tijde beschikbaar zijn op de plaats van gebruik van de machine/toestel.

Niet enkel de onder dit hoofdpunt veiligheid opgelijste, algemene veiligheidsaanwijzingen moeten in acht genomen worden, maar ook de onder andere hoofdpunten ingevoegde, speciale veiligheidsaanwijzingen, zoals bv. voor privégebruik.

## 1.1 Kentekening van aanwijzingen in de gebruikshandleiding



### Gevaar

Deze term definieert een hoog risico op gevaar dat tot overlijden of ernstig letsel kan leiden indien dit gevaar niet wordt vermeden.



### Gevarenzone

Dit symbool staat voor gevaren die kunnen leiden tot de dood of ernstig letsel.



### Gevaarlijke elektrische spanning

Dit symbool staat voor gevaren die gerelateerd zijn aan elektrische spanning en geeft informatie over de bescherming tegen elektrische spanning.

LET OP



### Materiële schade

Dit symbool staat, in combinatie met een trefwoord, voor **LET OP**, gevaarlijk voor het apparaat.

Direct aan de machine aangebrachte aanwijzingen zoals bv. draairichtingspijl, kenteken van vloeistofaansluitingen, moeten absoluut gevolgd en in volledig leesbare toestand worden gehouden.

## **1.2 Personeelscompetenties en scholing**

Het personeel voor bediening, onderhoud, inspectie en montage moet de overeenkomstige kwalificaties voor deze werken hebben. Verantwoordelijkheidsbereik, bevoegdheid en de controle van personeel moeten door de operator precies geregeld zijn. Is bij het personeel niet de nodige kennis voorhanden, dan moet dit geschoold en opgeleid worden. Dit kan, indien vereist, in opdracht van de bediener van de machine door de fabricant/leverancier gebeuren. Verder moet door de bediener verzekerd worden, dat de inhoud van de gebruikshandleiding door het personeel volledig verstaan wordt.

## **1.3 Gevaren bij niet beachten van de veiligheidsinstructies**

Niet in acht nemen van de veiligheidsinstructies kan zowel tot gevaar voor personen alsook voor milieu en machine leiden. Het niet in acht nemen van veiligheidsinstructies kan leiden tot het verlies van eventuele schadeclaims.

In bepaalde gevallen kan niet in acht nemen bijvoorbeeld volgende gevaren creëren:

- Uitvallen van belangrijke machine/toestel functies
- Falen van voorgeschreven methodes voor onderhoud en reparaties
- In gevaar brengen van personen door elektrische, mechanische en chemische inwerkingen
- In gevaar brengen van milieu door lekkage van gevaarlijke stoffen.

## **1.4 Veiligheidsbewust werken**

De veiligheidsinstructies die in deze gebruikshandleiding zijn opgelijst, de bestaande nationale voorschriften voor het vermijden van ongevallen alsook eventuele interne werk-, werkings- en veiligheidsvoorschriften van de operator moeten in acht genomen worden.

## **1.5 Veiligheidsinstructies voor de eigenaar/bediener**

- Leiden warme of koude machineonderdelen tot gevaar, moeten deze onderdelen op de bouwwerf tegen aanraken beveiligd zijn.
- Contactbescherming voor delen die bewegen (bv. koppeling) mag bij een werkende machine niet verwijderd worden.
- Lekkages (bv. van de asdichting) van gevaarlijke transportgoederen (bv. explosief, giftig, warm) moeten zo afgevoerd worden, dat geen gevaar voor personen en milieu ontstaat. Wettelijke bepalingen moeten ingehouden worden.
- Gevaren door elektrische energie zijn uit te sluiten (details hiervoor zie bv. in de voorschriften van de VDE en van de plaatselijke energiebevoorradersbedrijven).

## **1.6 Veiligheidsinstructies voor onderhouds-, inspectie- en montagewerken**

De eigenaar moet ervoor zorgen, dat alle onderhouds-, inspectie- en montage werken door geautoriseerd en gekwalificeerd vakpersoneel uitgevoerd worden, dat zich door uitvoerige studie van de gebruiksaanwijzing voldoende heeft geïnformeerd.

In principe zijn werken aan de machine enkel in stilstand uit te voeren. De in de gebruikshandleiding beschreven manier voor het stilzetten van de machine moet absoluut aangehouden worden.

Pompen of pomptoeestellen, die middelen vervoeren die schadelijk zijn voor de gezondheid,

moeten ontsmet worden. Onmiddellijk na beëindigen van de werken moeten alle veiligheids- en bescherminstallaties terug aangebracht resp. in functie gesteld worden.

Voor de (her)inbedrijfstelling moeten de opgelijste punten in het hoofdstuk inbedrijfstelling in acht genomen worden.

### **1.7 Eigen ombouw en fabricage van wisselstukken**

Ombouw of veranderingen aan de machine zijn enkel na afspraak met de fabricant toegelaten. Originele wisselstukken en door de fabricant toegelaten toebehoren dragen bij tot de veiligheid. Gebruik van andere onderdelen kan de aansprakelijkheid voor de daaruit ontstaande gevolgen wegnemen.

### **1.8 Ontoelaatbare werkingswijzen**

De bedrijfsveiligheid van de geleverde machine is enkel bij doelgericht gebruik conform hoofdstuk 2 – *Algemeen* van de gebruikshandleiding gegarandeerd. De grenswaardes die aangegeven zijn in het bestek mogen in geen geval overschreden worden.

## **2. ALGEMEEN**

### **2.1 Inleiding**

Deze gebruikshandleiding is geldig voor afvalwateropvoerinstallaties met versnijderpomp(en) uit de SANICUBIC® GR.

**Bij niet inachtneming van de gebruikshandleiding – speciaal de veiligheidsaanwijzingen alsook bij zelf ombouwen van het toestel of bij de inbouw van niet-originele wisselstukken vervalt automatisch de garantieaanspraak. Voor hieruit resulterende schade neemt de fabricant geen aansprakelijkheid op zich!**

**Zoals elk andere elektrisch toestel kan ook dit product door ontbrekende netspanning of een technisch defect uitvallen. Als voor u daardoor schade kan ontstaan, moet conform de toepassing een noodstroomtoestel, een handmembraanpomp, een tweede toestel (dubbele installatie) en/of een netonafhankelijk alarmtoestel ingepland worden. Ook na de aankoop staan wij u als fabricant graag voor advies ter beschikking. Bij defecten of schadegevallen, wendt u zich aub tot uw handelaar.**

### **Producten :**

SANICUBIC® 1 GR SE71.1 S	SANICUBIC® 2 GR SE71.1 T
SANICUBIC® 1 GR SE71.1 T	SANICUBIC® 2 GR SE71.2 T
SANICUBIC® 1 GR SE71.2 T	SANICUBIC® 2 GR SE71.3 T
SANICUBIC® 1 GR SE71.3 T	SANICUBIC® 2 GR SE71.4 T
SANICUBIC® 1 GR SE71.4 T	

### **2.2 Aanvragen en bestellingen**

Voor aanvragen en bestellingen richt u zich best tot uw vakhandelaar.

## 2.3 Technische gegevens

Type SANICUBIC® GR	Vermogen P1 [kW]	Vermogen P2 [kW]	Spanning U [V]	Nominale stroom I <sub>N</sub> [A]	Toerental bij 50 Hz [n <sup>-1</sup> ]	Flenspomp	Toevoer	Toevoer hoogte h [mm]
SE71.1 S	2,2	1,7	230	10,5	2 800	DN 50	Enkele installatie: DN 100 DN 50/100	250 576
SE71.1 T	2,1	1,7	400	3,7	2 800	DN 50		
SE71.2 T	2,1	1,7	400	3,7	2 800	DN 50		
SE71.3 T	3,9	3,2	400	6,5	2 800	DN 50	Dubbele installatie: DN 100 DN 100/150	250 586
SE71.4 T	3,9	3,2	400	6,5	2 800	DN 50		

Maximale mediumtemperatuur: 55°C

Minimale diameter van de insteekopening voor de complete enkele opvoerinstallatie: 600 mm

## Materialen

<b>Reservoir</b>	PE LD	<b>Stansmes</b>	Inox
<b>Pompbehuizing</b>	GG 20	<b>Motoras</b>	Inox
<b>Loopwiel</b>	GG 20	<b>Dichtingen</b>	NBR, FPM
<b>Dichtingsdrager</b>	GG 20	<b>Glijringdichtingen</b>	SiC (siliciumcarbide)
<b>Snijflens</b>	Inox		

## 2.4 Toepassing

De afvalwateropvoerinstallaties van de serie SANICUBIC® GR worden gebruikt voor de afvoer (inzameling en transport) van huishoudelijk en industrieel afvalwater, dat plaatsvindt onder het terugspoelniveau van het riool.

De versie met versnijderpompen maakt het pompen van grotere transporthoogten en drukleidingslengtes mogelijk. De drukleiding kan in de maat DN 50 worden gelegd.

### Limieten :

- **De opvoerinstallatie is niet ontworpen voor continu gebruik! De leveringsgegevens op het typeplaatje zijn alleen geldig voor intermitterende werking (S3 25%).**
- **De maximaal toelaatbare toevoerhoeveelheid moet altijd kleiner zijn dan de transportsnelheid van een pomp (zie typeplaatje)**

**Niet afgevoerd mogen worden o.a.:**

- **Vaste stoffen, vezelmateriaal, teer, zand, cement, as, grof papier, papieren handdoeken, wegwerp washandjes, karton, vuil, afval, slachthuisafval, vetten, oliën.**
- **Alle drainageobjecten boven het terugstroomniveau (EN 12 056-1).**
- **Afvalwater dat schadelijke stoffen bevat (DIN 1986-100), bijvoorbeeld vet afvalwater van commerciële keukens. Afvoer mag alleen plaatsvinden via een vetafscheider volgens DIN 4040-1.**

## 2.5 Levering

De afvalwateropvoerinstallaties van de SANICUBIC® GR-serie worden geleverd met :

- Opgebouwde versnijderpomp(en) uit de SANIPUMP® ZFS 71-serie
- Aansluiting voor noodlegen of handmembraanpomp
- Pneumatische besturings- en bedieningskast
- Flexibele aansluiting voor het ontluichten van de verzamelruimte
- Drukvalbocht DN 32
- Kogel terugslagklep(pen) DN 32
- Spruitstuk DN 32/50/32 (alleen voor dubbele installatie).

## 3. TRANSPORT EN TUSSENOPSLAG

### 3.1 Transport

De afvalwater opvoerinstallaties van de SANICUBIC® GR-serie mogen niet worden gegooid of worden laten gevallen. Bovendien moeten ze horizontaal worden getransporteerd.

### 3.2 Tussenopslag / bewaring

Voor tussenopslag en bewaring is het voldoende om op te slaan op een koele, donkere, droge en vorstbestendige plaats. Het systeem moet horizontaal staan.

## 4. BESCHRIJVING

### 4.1 Algemeen

De afvalwateropvoerinstallaties van de serie SANICUBIC® GR zijn aansluitklare, tijdelijk overstroombare enkele of dubbele opvoerinstallaties met gas- en geurdichte kunstof verzamelcontainers. Ze werken met verticale, versnijderpompen met automatische, pneumatische niveausturing. Ze zijn volledig uitgerust met schakelkast en alle noodzakelijke schakelelementen.

### 4.2 Opbouw en werkwijze

Het afvalwater loopt met natuurlijke helling in de verzamelcontainer van de afvalwateropvoerinstallatie SANICUBIC® GR.

#### LET OP



Als toeloop mag enkel de zijdelingse (enkele installatie) resp. achteraansluiting (dubbele installatie) DN 100 met 250 mm hoogte en de bovenste aansluiting DN 50/100 (enkele installatie) DN 100/150 (dubbele installatie) direct gebruikt worden. **Worden de toelopen met een hoogte van 180 mm gebruikt, dan is de toeloopleiding onmiddellijk na de opvoerinstallatie op 250 mm boven opstelniveau te voeren.**

De verzamelcontainer is voor **drukloze werking** gemaakt, dat wil zeggen dat het vuil water drukloos tussendoor wordt opgeslagen en aansluitend in het vuil water kanaal wordt gevoerd.

In de drukbuis die ingeschroefd is aan de bovenzijde van de container stijgt het water en comprimeert de lucht uit de drukbuis zo lang, tot de druk de tegendrukschakelaar in het schakelkastje activeert. Daardoor wordt de pomp ingeschakeld en leidt het water uit de container via de drukleiding in het hogerliggende riool. Bij de opvoerinstallatie SANICUBIC® 2 GR bevindt zich in het schakelkastje een wisselschakelaar, die het afwisselend inschakelen van de pompen mogelijk maakt. Enkel bij overbelastingswerking (een pomp kan de toestromende waterhoeveelheid niet aan) schakelt de tweede pomp in. Een kogelsterugslagklep, bij dubbele installaties twee kogelsterugslagkleppen, verhinderen het teruglopen van het water uit de drukleiding in de container. De schakelkast is met een alarmzoemer voorzien, die bij uitval van de pomp(en) of bij te hoge waterstand in de container geactiveerd wordt. Verder zijn alarmcontacten voor extern aan te sluiten alarminstallaties (bel, hoorn, etc.) in de schakelkast voorhanden. De toestand kan u terugvinden op het schakelplan van de schakelkast.

## 5. INSTALLATIE

### 5.1 Voorbereidingen

De probleemloze werking van de opvoerinstallatie is in de eerste plaats afhankelijk van een correcte en perfecte installatie. Om deze reden moeten de volgende punten in acht worden genomen:

- De plaats van installatie moet een goed geventileerde, droge en vorstvrije ruimte zijn.
- De opstelplaats moet voldoende bemeten zijn. De hoogte van de ruimte moet ongeveer 2 tot 2,5 m zijn. Volgens DIN 1986 deel 3: „... Alle installatiecomponenten...(en)... alle bedieningselementen...

moeten te allen tijde en zonder problemen toegankelijk zijn. ...Deze componenten mogen niet worden geblokkeerd door opgeslagen goederen, meubels, bedekkingen en dergelijke..."

- De basis van de installatieruimte moet worden ontworpen op basis van de mogelijke belastingen die optreden, afhankelijk van de grootte van de installatie.
- In de vaak lager gelegen gebieden verzamelt grondwater of percolaat zich vaak. Daarom moet in een hoek van de ruimte een kleine schacht aanwezig zijn waar deze vloeistoffen zich kunnen verzamelen en kunnen worden afgevoerd met een kelderafvoerpomp.
- Een plafondhaak boven de plaats van installatie van de opvoerinstallatie vergemakkelijkt de montage evenals eventuele onderhouds- en reparatiewerkzaamheden aan de pomp.
- Alvorens met de montage te beginnen, moeten alle constructie- en pijpafmetingen worden gecontroleerd en vergeleken met de afmetingen van het systeem. Het is vooral belangrijk om ervoor te zorgen dat de altijd dalende toevoerleiding niet lager is dan de inlaathoogte van het verzamelreservoir.

## 5.2 Montage

Tijdens de installatie is het essentieel om te zorgen voor een spannings- en lekvrije installatie van de buizen en fittingen.

### 5.2.1 Opstelling

De afvalwateropvoerinstallaties van de SANICUBIC® GR-serie zijn uitgelijnd op de plaats van installatie voor bestaande pijpleidingen. Hier wordt het nu precies horizontaal geplaatst en bevestigd door middel van de meegeleverde bevestigingsschroeven op de grond.

DIN 19 760 Deel 1: "...De fecaliënopvoerinstallatie moet zodanig zijn ontworpen dat het verdraaien en zweven door de bevestigingsmiddelen wordt voorkomen..."

### 5.2.2 Toeloop

#### LET OP



Als toeloop kunnen enkel de zijdelingse aansluiting DN 100 met 250 mm hoogte en de bovenste aansluiting DN 50/100 bij aparte installaties resp DN 100/150 bij dubbele installaties direct gebruikt worden. **De beide zijdelingse toevoeren met een hoogte van 180 mm zijn onmiddellijk na de opvoerinstallatie op 250 mm hoogte boven opstelniveau te leiden!**

Om de toeloopleiding aan te sluiten, moet het deksel afgezaagd worden van de benodigde toeloopsteun. De toeloopleiding wordt dan op de steun gestoken. De achterste toeloop van de dubbele opvoerinstallatie moet met een gatzaag of mes geopend worden en mag **in geen geval** met een hamer ingeslagen worden!

#### BELANGRIJK:

Bij gebruik van de minimale toeloophoogte van 250 mm moet erop gelet worden, dat de niveausturing zo ingesteld is, dat bij normale werking de waterstand in de container een beetje boven de onderkant tot maximaal ½ vulling van de toevoerbuis stijgt vooraleer de pomp inschakelt. In alle leidingen die dieper aangesloten worden, zal zich daarom een overeenkomstige waterstand instellen. Bij toevoerleidingen kan dat ertoe leiden, dat in deze zone vuilafzettingen niet uit te sluiten zijn en het in extreme gevallen tot een verstopping van de leiding kan voeren. Naar mogelijkheid is daarom de toevoer van boven te gebruiken.

### 5.2.3 Drukleiding

Aan de horizontale druk van de pomp wordt de flensboog DN 32, 90° gemonteerd, die in verticale richting met een draad 5/4" eindigt.

De installatie van de meegeleverde terugslagkleppen in de drukleiding van de opvoerinstallatie is verplicht: DIN 19 760 deel 3: "...Terugslagkleppen moeten na onderbreken van de toevoerstroom het terugvloeien van het vuile water uit de drukleiding zelf verhinderen. Bij een nieuwe toevoer dienen ze automatisch terug te openen..."

Achter een terugslagklep is de inbouw van een schuifafsluiter aangeraden, om de reiniging resp. een eventuele vervanging van de terugslagklep te verlichten.

Bij dubbele hefinstallaties hoort een Y-buis met een drukuitgang DN50 (flens) tot de levering.

De drukleiding moet steeds stijgend en zonder onnodige sprongen in een boog boven het terugstuwniveau en daarna steeds dalend tot de kanaalaansluiting worden gelegd. Buisleiding en kranen moeten, voor zover nodig, met buisklemmen of consoles ondersteund worden.

#### **5.2.4 Ontluchting**

De reservoirventilatie Ø 75 mm is ofwel rechtstreeks op de ventilatieleiding van het gebouw aangesloten of apart boven het dak geïnstalleerd.

#### **5.2.5 Elektrische aansluiting**

##### **Veiligheidsbepalingen :**

• **Alle gebruikte elektrische installaties moeten voldoen aan de norm IEC 364 / VDE 0100, die moeten bv. stopcontacten aardingsklemmen hebben.**

• **De elektrische aansluiting mag enkel door een elektrische vakman uitgevoerd worden! De relevante VDE voorschriften 0100 in acht nemen!**

• **Het elektrische net, waaraan de machine wordt aangesloten, moet over een hooggevoelige aparte FI-veiligheidsschakelaar IA <30 mA voor de sturing beschikken, of om een uitval van de sturing bij het aanspringen van de FI-veiligheidsschakelaar te voorkomen, is per pomp een FI-veiligheidsschakelaar tussen sturing en pomp te installeren. Bij installatie in bad- en doucheruimtes zijn de overeenkomstige DIN VDE 0100 deel 701-voorschriften in acht te nemen.**

• **Neem aub de voorschriften van EN 12 056-4 in acht.**

• **Bij 3-fasige aansluiting is de externe beveiliging met beveiligingsautomaten van karakteristiek K algemeen 3-polig mechanisch vergrendeld uit te voeren. Daarmee is een complete netscheiding verzekerd en 2-fasen uitgesloten.**

• **Alle elektrische toestellen zoals sturing, alarmen en stopcontact moeten in droge ruimtes overstromveilig geïnstalleerd worden.**

• **Aanwijzing! Voor iedere montage en demontage van de pomp of andere werken aan het toestel is deze te scheiden van het elektrische net.**

• **Door overbelasting kan de motor oververhitten. Bij overhitting nooit de warme oppervlakken van de motor aanraken.**

• **Bij gebruik van een verlengkabel moet deze kwalitatief overeenkomen met de meegeleverde aansluitingskabel.**

De bedieningskast moet zodanig worden geïnstalleerd dat de pneumatische slang voor de pneumatische niveauregeling gestaag omhoog loopt. Alleen dan is een perfecte functie van de automatische besturing gegarandeerd. De stekker van het systeem (CEE of gearde stekker voor een enkele installatie) wordt pas direct voor inbedrijfstelling ingevoegd. De dubbele installaties moeten rechtstreeks op de voedingslijn worden aangesloten. Er moet voor worden gezorgd dat het elektrische systeem voldoet aan de toepasselijke VDE-richtlijnen.

Het bedradingsschema van de bedrading van de opvoerinstallatie bevindt zich in de schakelkast en moet daar worden achtergelaten om onderhouds- en klantendienstpersoneel gemakkelijker te laten werken.

## **6. INBEDRIJFSTELLING**

Voorafgaand aan de inbedrijfstelling moeten alle verbindingen opnieuw worden gecontroleerd op correcte installatie en dichtheid: de schuifafsluiter(s) moet(en) geopend worden.

Nu wordt de stekker in het stopcontact gestoken (enkele installatie) of de spanning wordt ingeschakeld (dubbele installatie) en met driefasensystemen wordt de draairichting van de pomp gecontroleerd. Dit wordt gedaan door de handmatige/O/automatische schakelaar kort in te stellen op „handmatig“. Wanneer de motor uitloopt, kan de draairichting op het kijkglas aan de bovenzijde worden vergeleken met de juiste draairichting (draairichtingspijl). Als de pomp verkeerd om draait, moeten twee van de drie fasen worden omgekeerd.

## **GEVAAR**



**Trek de stekker uit het stopcontact voordat u werkzaamheden aan de elektrische installatie uitvoert !**

Voor gebruik van de toevoeren DN 100 met 250 mm toevoerhoogte is de sturing al vooringesteld. Wordt uitsluitend de bovenste toeloop gebruikt, kunnen ter vergroting van het stuwvolume andere schakelpunten aan de sturing ingesteld worden.

Minimale toevoerhoogte	Uitschakelpunt N1	Inschakelpunt N2	Inschakelpunt N3 alleen bij dubbele installatie	Overstroming HW	Schakelvolumes Enkel/dubbel
250 mm	3 cm	14 cm	16 cm	18 cm	26 L / 47 L
428 mm	3 cm	25 cm	26 cm	29 cm	45 L / 80 L

Zet nu de "handmatige/0/automatische" schakelaar op "automatisch" en voer een testrun uit. Daarvoor wordt de verzamelcontainer via de normale toevoer (wastafel, toilet etc.) gevuld. De installatie moet automatisch inschakelen, de container leegpompen en terug afschakelen. Na het afschakelen mag geen water uit de drukleiding terug in de container lopen. Bij dubbele installaties worden de beide pompen afwisselend geschakeld.

De nalooptijd is naargelang inbouwcondities en stuwhoogte zo te corrigeren, dat de pomp de verzamelcontainer maximaal leegt en slechts kortstondig droogloopt (luider geluid bij het pompen). De pitotbuis mag na afloop van het pompproces niet meer in de vloeistof ondergedompeld zijn (aanduiding in de sturing 0 cm). De nalooptijd kan aan de schakelkast veranderd worden.

Tijdens de testrun worden nogmaals alle leidingen en kranen op dichtheid gecontroleerd en eventueel nieuw gedicht.

Werkt de opvoerinstallatie goed, dan blijft de installatie in automatische werking.

## **7. ONDERHOUD**

### **7.1 Inspectie- en onderhoudsintervallen**

Inspectie- en onderhoudsintervallen volgens DIN 1986 Deel 31: "Afvalwateropvoerinstallaties moeten één keer per maand door de bediener worden gecontroleerd door een schakelcyclus te observeren op bedienbaarheid en afdichting. ...Het systeem moet worden onderhouden door een specialist. De tijdsintervallen mogen niet groter zijn dan

1. ¼ jaar voor installaties in commerciële ondernemingen
2. ½ jaar voor installaties in flatgebouwen
3. 1 jaar voor installaties in eengezinswoningen.

### **7.2 Onderhoudswerkzaamheden**

## **GEVAAR**



**Trek de stekker uit het stopcontact voordat u werkzaamheden aan de installatie uitvoert!**

#### **7.2.1 Verzamelreservoir**

Open het inspectiedeksel en gebruik een slang om het reservoir uit te spuiten om vuil van de wanden van het container te verwijderen.



### 7.2.2 Kogel terugslagkleppen

Open de inspectiedeksel en reinig de klep van binnen.

### 7.2.3 Overig

Alle verdere onderhoudswerkzaamheden moeten door de klantendienst worden uitgevoerd.

## 8. STORINGEN, OORZAKEN EN VERHELPEN



**Trek de stekker uit het stopcontact voordat u werkzaamheden aan de installatie uitvoert !**

Storing	Oorzaak	Oplossing
1. Motor draait niet	<ul style="list-style-type: none"><li>- te lage spanning, spanning ontbreekt</li><li>- verkeerde stroomaansluiting</li><li>- stroomkabel defect</li><li>- Fout bij condensator (alleen bij wisselstroommotor)</li><li>- Waaier of versnijder geblokkeerd</li><li>- Motorbeveiliging uitgeschakeld vanwege oververhitting, blokkering, spanningsfout</li><li>- Controllerfout/drukschakelaar defect</li><li>- Pneumatische slang of verbinding lekt</li><li>- Motor defect</li></ul>	<ul style="list-style-type: none"><li>- voeding controleren</li><li>- correctie</li><li>- Vervanging/klantenservice</li><li>- Vervanging/klantenservice</li><li>- Reinigen</li><li>- Controleren/Klantenservice</li><li>- Controleren/Klantenservice</li><li>- Controleren/verwisselen</li><li>- Vervanging/klantenservice</li></ul>
2. Motor draait, maar pompt niet	<ul style="list-style-type: none"><li>- Waaier verstopt of versleten</li><li>- Terugslagklep verstopt</li><li>- Schuifafsluiter verstopt of afgesloten</li><li>- Drukleiding verstopt</li><li>- Aanzuigstuk verstopt</li><li>- Draairichting verkeerd</li><li>- Gebrek aan water in het container</li><li>- Reservoirontluchting verstopt</li><li>- Pompbehuizingsontluchting verstopt</li></ul>	<ul style="list-style-type: none"><li>- Reinigen/verwisselen</li><li>- Reinigen</li><li>- Reinigen/openen</li><li>- Reinigen</li><li>- Reinigen</li><li>- correctie</li><li>- Uitschakelen/klantenservice</li><li>- Reinigen</li><li>- Reinigen</li></ul>
3. Motor draait en schakelt uit	<ul style="list-style-type: none"><li>- Spanning is verkeerd of fluctueert</li><li>- Thermische beveiliging verkeerd ontworpen</li><li>- Stroomverbruik te hoog</li></ul>	<ul style="list-style-type: none"><li>- Correctie/klantenservice</li><li>- Controleren/Klantenservice</li><li>- Klantenservice</li></ul>
4. Motor schakelt niet uit	<ul style="list-style-type: none"><li>- Controllerfout</li><li>- Drukschakelaarfunctie is niet correct</li></ul>	<ul style="list-style-type: none"><li>- Klantenservice</li><li>- Verwisselen/Klantenservice</li></ul>

## 9. GARANTIE

Als fabrikant gaan we uit van een garantie van 24 maanden vanaf de aankoopdatum voor dit apparaat.

Als bewijs geldt uw aankoopfactuur. Binnen deze garantietermijn zullen we eventuele gebreken als gevolg van materiaal- of fabricagefouten gratis repareren of vervangen.

De garantie dekt geen schade veroorzaakt door onjuist gebruik en slijtage. Gevolgschade door falen van het apparaat wordt door ons niet geaccepteerd.

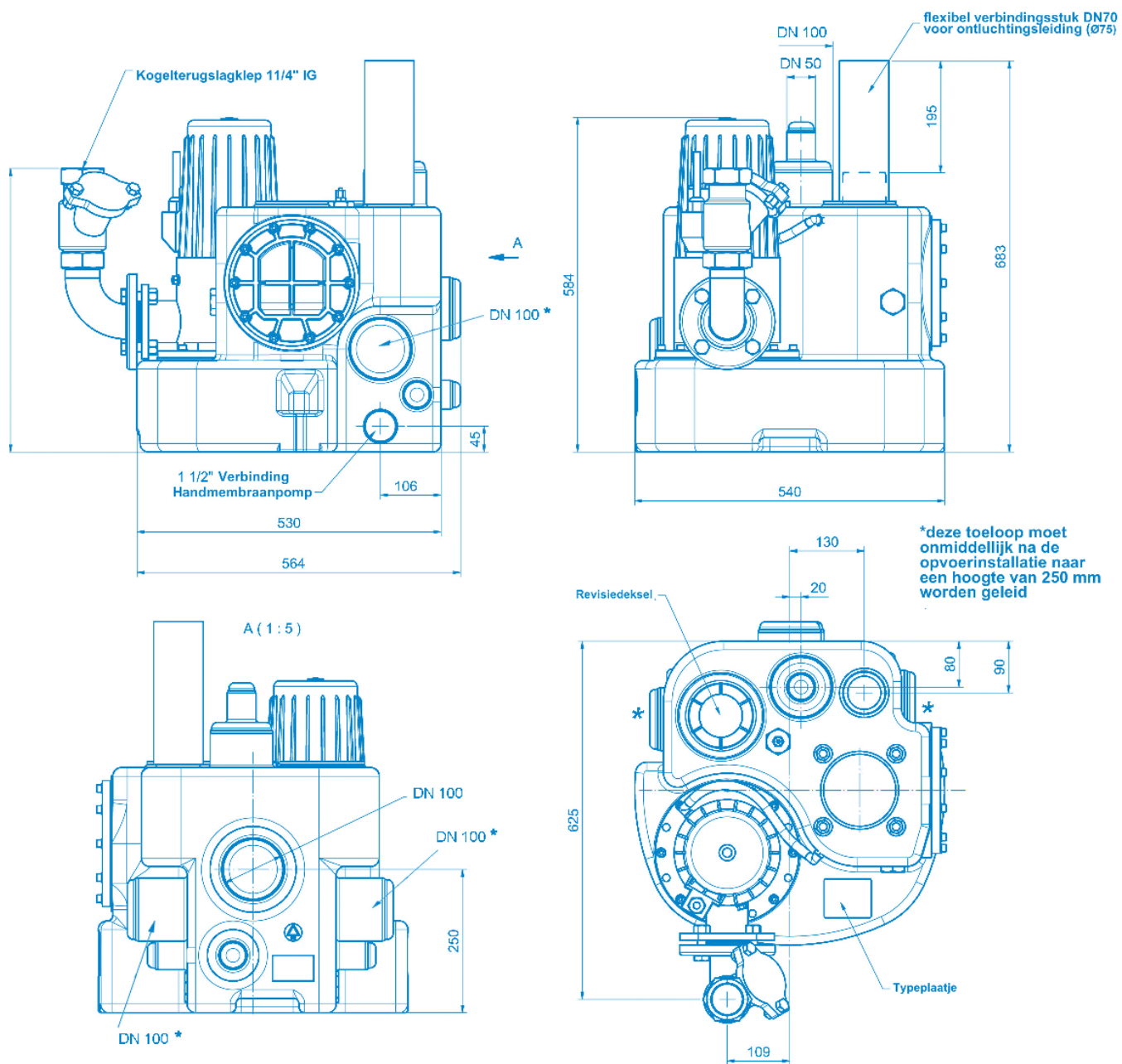
## **10. TECHNISCHE WIJZIGINGEN**

---

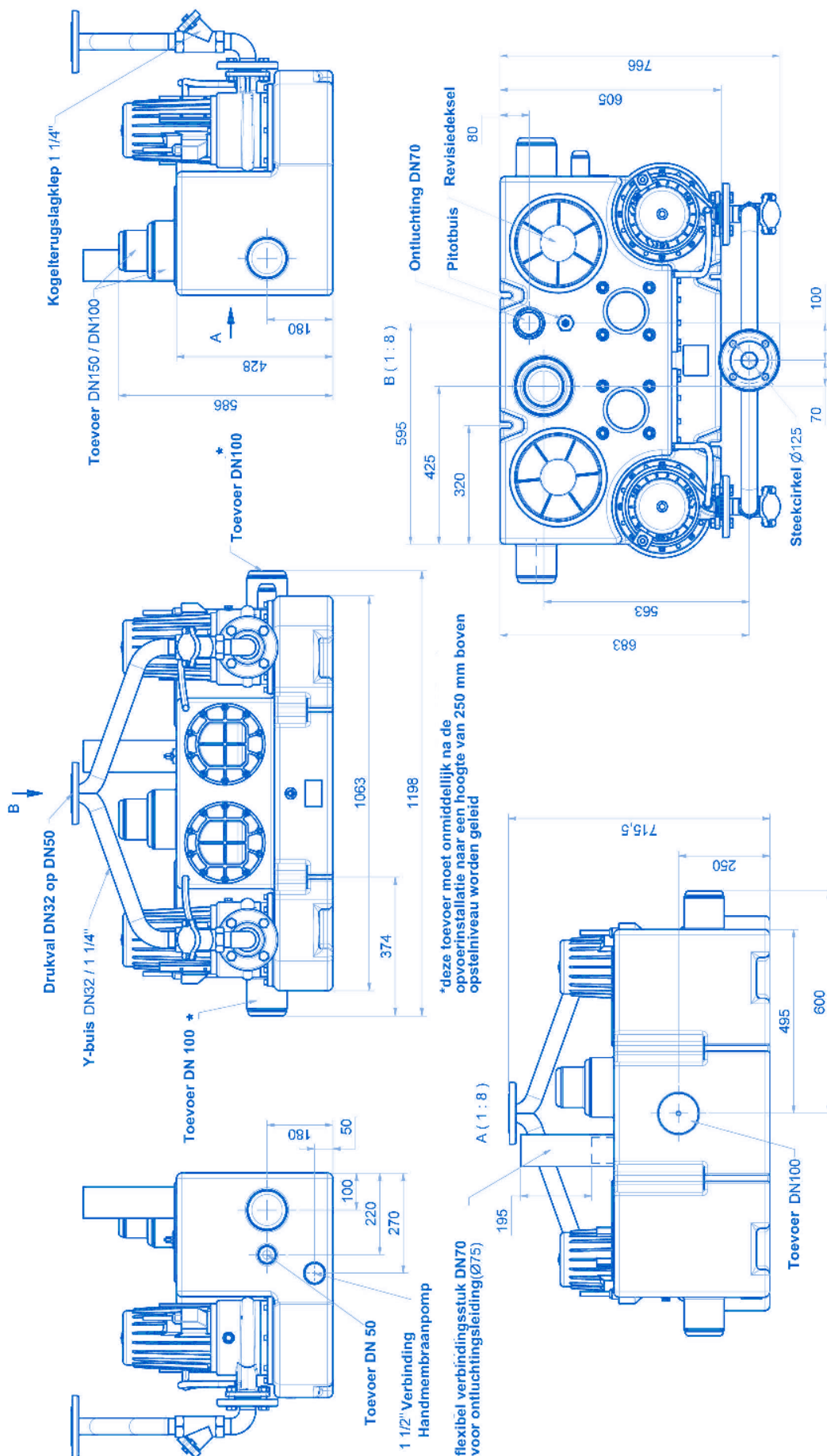
We behouden ons het recht voor technische wijzigingen aan te brengen in het belang van verdere ontwikkeling.

# Bijlage A: Hoofdafmetingen

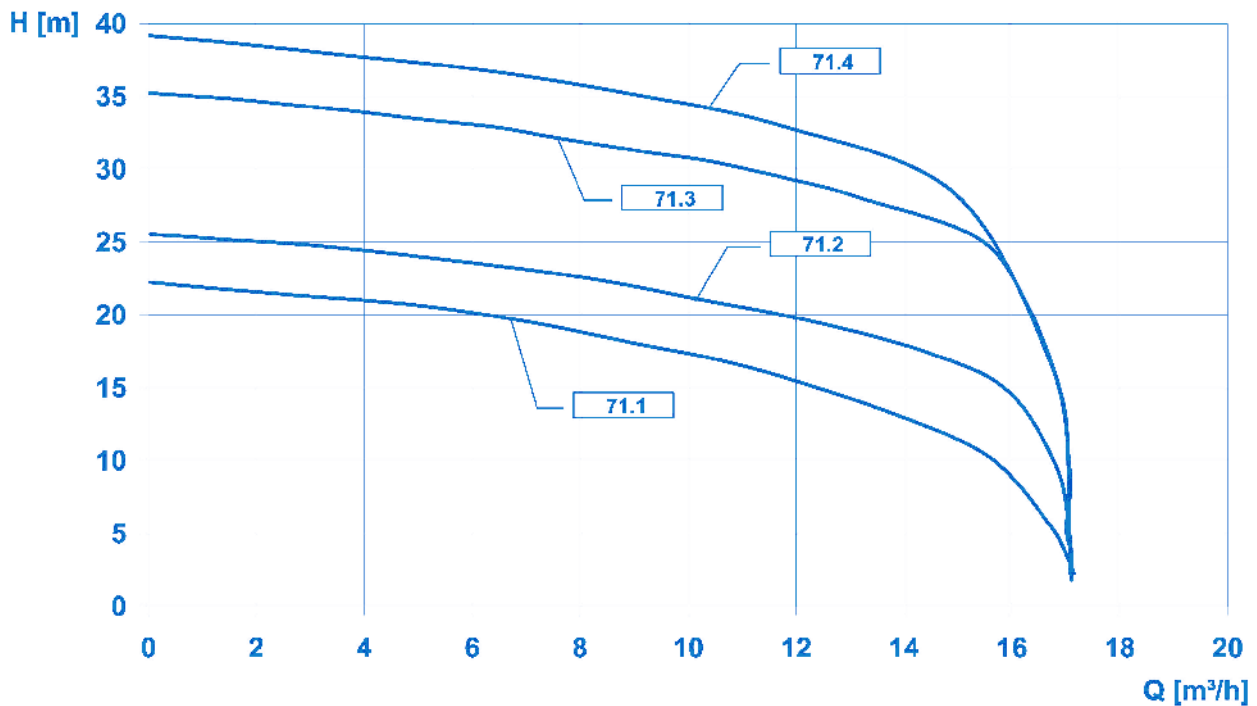
## SANICUBIC® 1 GR



# SANICUBIC® 2 GR



## Bijlage B: Prestatiediagram

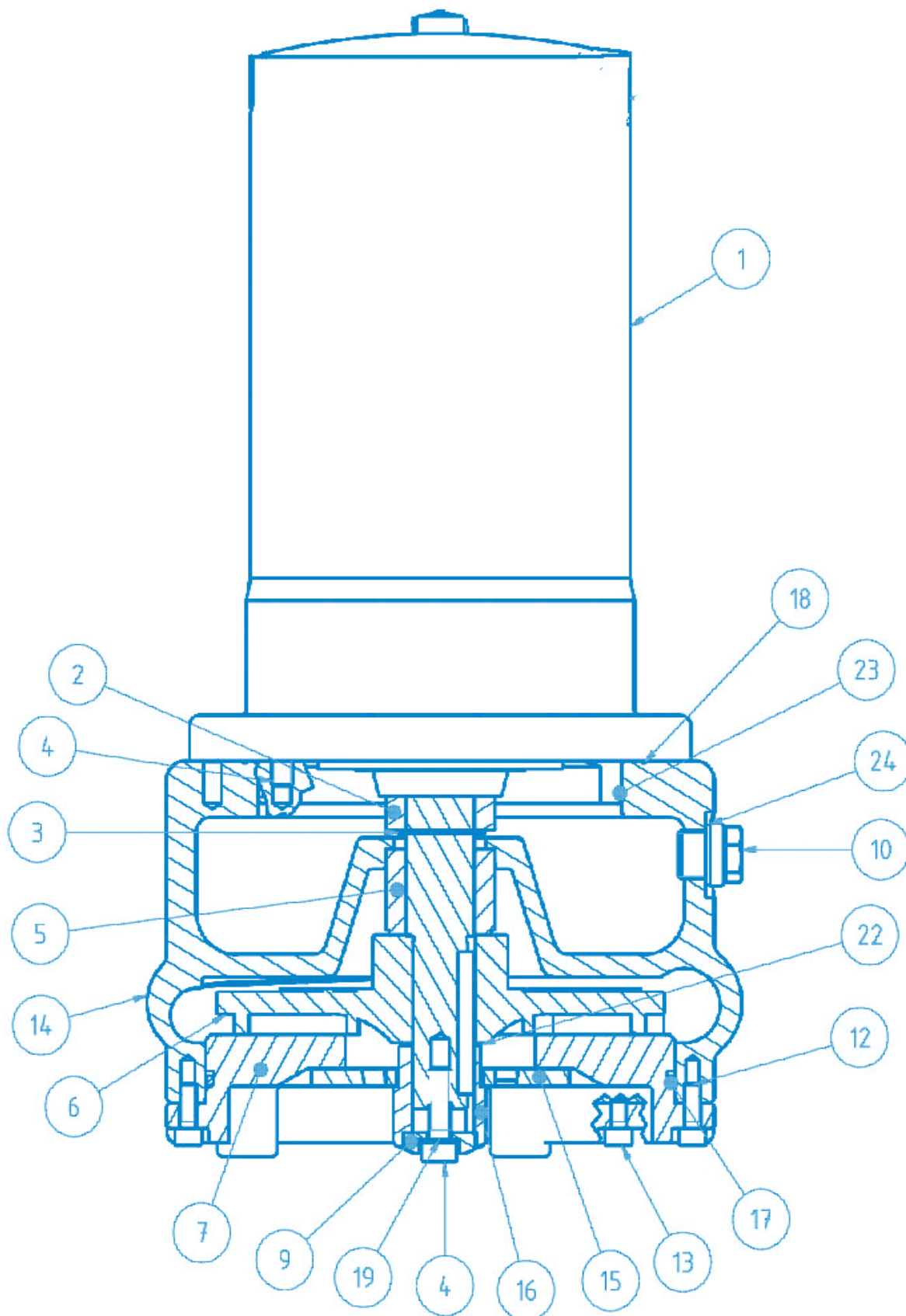


## Bijlage C: Reserveonderdelenlijst

Pos.	Pz.	Benaming	Artikelnr.
	1	Container SANICUBIC® GR SE71	117337
	(1)	Container SANICUBIC® 2 GR SE71	
	1 (2)	Zuigmond SANICUBIC® GR SE71	17481
	1 (2)	Slangstuk recht R 3/8"	117191
	1	Pitotbuis compleet	60219
	1	Revisiedeksel met afdichting	117012
	(2)	Revisiedeksel dubbele installatie	
	(2)	Afdichting voor revisiedeksel dubbele installatie	
	1	Schakeltoestel SANICUBIC® GR SE71 230 V	200102
	1	Schakeltoestel SANICUBIC® GR SE71 400 V	255302
	(1)	Schakeltoestel SANICUBIC® 2 GR SE71 400 V	

## Bijlage D: Doorsnedetekening en lijst met reserveonderdelen van de pomp

### Doorsnedetekening



## Reserveonderdelenlijst pomp

Pos.	Art.nr	Aanduiding	Hoeveelheid
	17749	Pomp voor SANICUBIC® 1 GR SE71.1 S	1
	17463	Pomp voor SANICUBIC® GR SE71.1 T	1 (2)
	17562	Pomp voor SANICUBIC® GR SE71.2 T	1 (2)
	17563	Pomp voor SANICUBIC® GR SE71.3 T	1 (2)
	17564	Pomp voor SANICUBIC® GR SE71.4 T	1 (2)
1	17587	Motor deksel SANICUBIC® 1 GR SE71.1 S	1
1	17586	Motor deksel SANICUBIC® GR SE71.1 T und SE71.2 T	1
1	17588	Motor deksel SANICUBIC® GR SE71.3 T und SE71.4 T	1
2	17356	GLRD LD1/25-G38 motor zijde	1
3	11679	Afdichtring DIN471-A25x1,2	1
4	16381	Interne zeskantbouten M8x25-A2	5
5	17377	GLRD MG1/25-G6 Vloeistof zijde	1
6	17373	Waaier SANIPUMP® ZFS 71.1 Ø135	1
6	17371	Waaier SANIPUMP® ZFS 71.2 Ø145	1
6	17372	Waaier SANIPUMP® ZFS 71.3 Ø160	1
6	17351	Waaier SANIPUMP® ZFS 71.4 Ø170	1
7	17391	Deksel SANIPUMP® ZFS 71 voor containeropbouw	1
8	17109	Verzonken schroef M5x10-A2 DIN965	3
9	17352	Messchroefverbinding SANIPUMP® ZFS 71	1
10	11640	Borgschroef, bea. G 3/8 (Ontluchting)	1
10	11639	Afsluitschroef G3/8 DIN910 (Olie)	1
11	11663	Ringschroef DIN 580-M8-A2	1
12	15320	Binnenzeskantschroef M6x20-A2	4
13	10008	Binnenzeskantschroef M6x10-A2	4
14	17355	Pompbehuizing SANIPUMP® ZFS 71	1
15	17353	Snijplaat SANIPUMP® ZFS 71	1
16	17354	Stansmes SANIPUMP® ZFS 71	1
17	11822	O-ring 160 x 3,5-NBR70	1
18	11629	O-ring 147 x 3	1
19	11672	Afdichtingsring 8x14x1 Cu	1
20	11659	Handgreep	1
21	10666	Binnenzeskantschroef M6x12-A2 DIN 912	2
22	17375	Opvulschijf 10x30x0,1 1.4301	2
22	17376	Opvulschijf 10x30x0,5 1.4301	2
23	11656	O-ring 125x2-NBR70	1
24	11646	Afdichtingsring 17x22x1,5 Cu voor pos 230	2
70	11645	Vergrendelingsschijf S8x13x0,8 A2	4
	11690	Wisura technische witte olie NFW	0,4L

<b>1. SEGURIDAD</b> .....	<b>pág.81</b>
1.1 Identificación de las indicaciones en el manual de instrucciones.....	pág.81
1.2 Cualificación del personal y formación .....	pág.82
1.3 Riesgos en caso de incumplimiento de las indicaciones de seguridad .	pág.82
1.4 Trabajar de forma segura .....	pág.82
1.5 Indicaciones de seguridad para el operador / operario ....	pág.82
1.6 Indicaciones de seguridad durante los trabajos de mantenimiento, inspección e instalación .....	pág.82
1.7 Transformaciones no autorizadas y fabricación de piezas de recambio .....	pág.83
1.8 Modos de funcionamiento no autorizados .....	pág.83
<b>2. GENERALIDADES</b> .....	<b>pág. 83</b>
2.1 Descripción .....	pág.83
2.2 Consultas y pedidos .....	pág.83
2.3 Datos técnicos .....	pág.84
2.4 Ámbito de aplicación .....	pág.84
2.5 Volumen de suministro .....	pág.84
<b>3. TRANSPORTE Y ALMACENAMIENTO TEMPORAL</b> .....	<b>pág. 85</b>
3.1 Transporte.....	pág.85
3.2 Almacenamiento temporal/conservación .....	pág.85
<b>4. DESCRIPCIÓN</b> .....	<b>pág. 85</b>
4.1 Generalidades.....	pág.85
4.2 Estructura y funcionamiento .....	pág.85
<b>5. INSTALACIÓN</b> .....	<b>pág. 85</b>
5.1 Trabajos preparatorios .....	pág.85
5.2 Montaje .....	pág.86
<b>6. PUESTA EN SERVICIO</b> .....	<b>pág. 88</b>
<b>7. MANTENIMIENTO</b> .....	<b>pág. 88</b>
7.1 Intervalos de inspección y de mantenimiento .....	pág.88
7.2 Trabajos de mantenimiento .....	pág.89
<b>8. AVERÍAS: CAUSAS Y SUBSANACIÓN</b> .....	<b>pág. 89</b>
<b>9. GARANTÍA</b> .....	<b>pág. 90</b>
<b>10. MODIFICACIONES TÉCNICAS</b> .....	<b>pág. 90</b>
Anexo A : Dimensiones principales .....	pág.91
Anexo B : Gráfico de rendimiento .....	pág.93
Anexo C : Listado de piezas de recambio .....	pág.93
Anexo D : Dibujo seccional y listado de piezas de recambio de la bomba.....	pág.94



# 1. SEGURIDAD

## ATENCIÓN

Este aparato puede utilizarse por niños de 8 años como mínimo y por personas con capacidades físicas, sensoriales o mentales reducidas o con falta de experiencia o conocimientos, siempre que se encuentren bajo vigilancia o si se les proporcionan las instrucciones relativas para el uso seguro del electrodoméstico y son conscientes de los riesgos a los que se exponen. Los niños no deben jugar con el aparato. Los niños sin vigilancia no deben encargarse de la limpieza ni del mantenimiento que debe realizar el usuario.

## CONEXIÓN ELÉCTRICA:

La instalación eléctrica debe realizarse por un profesional cualificado en electrotécnica. El circuito de alimentación del aparato debe conectarse a tierra (clase I) y protegerse con un diferencial de alta sensibilidad (30 mA). Los aparatos sin conectores deben conectarse a un interruptor principal de la alimentación eléctrica que garantice la desconexión de todos los polos (distancia de separación de los contactos de 3 mm como mínimo). La conexión debe servir exclusivamente para la alimentación del aparato.

Si el cable de alimentación está dañado, debe reemplazarlo el fabricante, su servicio posventa o personas de similar cualificación para evitar cualquier peligro.

Este manual de instrucciones contiene información básica que se debe tener en cuenta durante el montaje, funcionamiento y mantenimiento. Por lo tanto, el instalador y el personal especializado/operador responsables deberán leer antes de la instalación y la puesta en servicio este manual de instrucciones que deberá estar siempre disponible en el lugar de instalación de la máquina/unidad.

No sólo deben tenerse en cuenta las indicaciones generales de seguridad enumeradas en este punto principal "Seguridad", sino también las indicaciones especiales de seguridad insertadas en otros puntos principales, p. ej., para uso privado.

### 1.1 Identificación de las indicaciones en el manual de instrucciones



#### Peligro

Este término define un peligro de alto riesgo que, si no se evita, puede provocar la muerte o heridas graves



#### Zona peligrosa

Este símbolo identifica peligros que pueden provocar la muerte o heridas.



#### Tensión eléctrica peligrosa

Este símbolo identifica peligros inherentes a la tensión eléctrica y da información sobre la protección contra la tensión eléctrica.

ATENCIÓN



#### Daños materiales

Este símbolo identifica peligro, en combinación con la palabra clave **ATENCIÓN**, para la máquina.

Las indicaciones que se encuentran en la máquina, como p. ej. flecha de sentido de rotación, marcado de las conexiones de los fluidos, deben ser tenidas en cuenta y conservadas para que sean totalmente legibles.

## **1.2 Cualificación del personal y formación**

El personal encargado del manejo, mantenimiento, inspección e instalación debe poseer la cualificación correspondiente para llevar a cabo estos trabajos. El ámbito de responsabilidad, las competencias y la supervisión del personal deben ser reguladas con precisión por el operador. Si el personal no tuviese los conocimientos necesarios, deberá ser formado e instruido. En caso de que sea necesario, podrá ser llevado a cabo por el fabricante/proveedor en nombre del operador de la máquina. Además, el operador debe asegurarse de que el personal entienda completamente el contenido del manual de instrucciones.

## **1.3 Riesgos en caso de incumplimiento de las indicaciones de seguridad**

El incumplimiento de las indicaciones de seguridad puede poner en peligro a las personas, al medioambiente y a la máquina. El incumplimiento de las indicaciones de seguridad puede conllevar la pérdida de cualquier indemnización por daños y perjuicios.

En concreto, la inobservancia puede provocar, por ejemplo, los siguientes peligros:

- Fallo de funciones esenciales de la máquina/unidad
- Fallo de métodos prescritos para llevar a cabo el mantenimiento y conservación
- Peligro a las personas como consecuencia de influencias eléctricas, mecánicas y químicas
- Peligro para el medioambiente por fuga de sustancias peligrosas.

## **1.4 Trabajar de forma segura**

Deben observarse las indicaciones de seguridad enumeradas en el presente manual de instrucciones, las prescripciones nacionales en materia de prevención de accidentes y todas las normas internas de trabajo, funcionamiento y de seguridad del operador.

## **1.5 Indicaciones de seguridad para el operador / operario**

- Si los componentes calientes o fríos de la máquina pudiesen entrañar peligros, estos componentes deberán ser asegurados por el cliente contra contactos.
- La protección contra contactos de los componentes móviles (p. ej., acoplamiento) no debe ser retirada en caso de que la máquina se encuentre en funcionamiento.
- Las fugas (p. ej., de la junta del eje) de materiales bombeados peligrosos (p. ej., explosivos, tóxicos, calientes) deben eliminarse de modo que no se cree peligro para las personas y el medioambiente. Deben respetarse las disposiciones legales.
- Deben excluirse los riesgos causados por la energía eléctrica (para más detalles, consulte, p. ej., en las normas de la VDE y de las empresas locales de suministro de energía).

## **1.6 Indicaciones de seguridad durante los trabajos de mantenimiento, inspección e instalación**

El operador deberá asegurarse de que todos los trabajos de mantenimiento, de inspección y de instalación sean llevados a cabo por personal especializado, autorizado y cualificado que haya

obtenido suficiente información mediante el concienzudo estudio del manual de instrucciones.

En principio, los trabajos en la máquina sólo deben realizarse con la máquina parada. Se debe respetar estrictamente el procedimiento descrito en el manual de instrucciones para parar la máquina.

Deberán descontaminarse las bombas o grupos de bombas que bombeen medios peligrosos para la salud. Inmediatamente después de terminar los trabajos se deben volver a instalar los dispositivos de seguridad y de protección o volver a ponerlos a funcionamiento.

Antes de volver a poner la máquina en servicio, se deben tener en cuenta los puntos indicados en la sección Puesta en servicio.

### **1.7 Transformaciones no autorizadas y fabricación de piezas de recambio**

La máquina sólo podrá ser transformada o modificada previa consulta con el fabricante. Las piezas de recambio originales y accesorios autorizados por el fabricante sirven para fines de seguridad. El uso de otros componentes puede invalidar la responsabilidad por las consecuencias resultantes.

### **1.8 Modos de funcionamiento no autorizados**

La seguridad de funcionamiento de la máquina suministrada sólo quedará garantizada si se utiliza con arreglo al uso previsto descrito en la sección 2- *Generalidades* del manual de instrucciones. Los valores límite especificados en la hoja de datos no deben superarse en ningún caso.

## **2. GENERALIDADES**

### **2.1 Descripción**

Este manual de instrucciones es válido para los equipos elevadores de aguas residuales con bomba(s) trituradoras de la serie SANICUBIC® GR.

**El incumplimiento del manual de instrucciones, especialmente las indicaciones de seguridad, y la transformación no autorizada del dispositivo o la instalación de piezas de recambio no originales anularán automáticamente la garantía. ¡El fabricante no se hará responsable de los daños que se deriven de ello!**

**Como cualquier aparato eléctrico, este producto puede fallar debido a la ausencia de tensión de red o como consecuencia de un fallo técnico. En caso de que como consecuencia de ello pudieran producirse daños, se deberán tener previstos, con arreglo a la aplicación, un generador de emergencia, una bomba de membrana manual, una segunda unidad (unidad doble) y/o un sistema de alarma no conectado a la red. Incluso después de la compra, como fabricante estaremos encantados de asesorarle. En caso de defectos o daños, póngase en contacto con su distribuidor.**

### **Productos :**

SANICUBIC® 1 GR SE71.1 S	SANICUBIC® 2 GR SE71.1 T
SANICUBIC® 1 GR SE71.1 T	SANICUBIC® 2 GR SE71.2 T
SANICUBIC® 1 GR SE71.2 T	SANICUBIC® 2 GR SE71.3 T
SANICUBIC® 1 GR SE71.3 T	SANICUBIC® 2 GR SE71.4 T
SANICUBIC® 1 GR SE71.4 T	

### **2.2 Consultas y pedidos**

Para realizar consultas y pedidos póngase en contacto con su distribuidor.

## 2.3 Datos técnicos

Modelo SANICUBIC® GR	Potencia P1 [kW]	Potencia P2 [kW]	Tensión U [V]	Corriente nominal I <sub>N</sub> [A]	Velocidad con 50 Hz [n <sup>-1</sup> ]	Brida bomba	Conexión de entrada	Altura conexión entrada h [mm]
SE71.1 S	2,2	1,7	230	10,5	2 800	DN 50	Unidad simple: DN 100 DN 50/100	250 576
SE71.1 T	2,1	1,7	400	3,7	2 800	DN 50		
SE71.2 T	2,1	1,7	400	3,7	2 800	DN 50		
SE71.3 T	3,9	3,2	400	6,5	2 800	DN 50	Unidad doble: DN 100 DN 100/150	250 586
SE71.4 T	3,9	3,2	400	6,5	2 800	DN 50		

Temperatura máxima del fluido: 55°C

Diámetro mínimo de la apertura de instalación de toda la unidad elevadora simple: 600 mm

## Materiales

<b>Depósito</b>	PE LD	<b>Cuchilla de corte</b>	Acero inoxidable
<b>Carcasa de la bomba</b>	GG 20	<b>Eje del motor</b>	Acero inoxidable
<b>Impulsor</b>	GG 20	<b>Juntas</b>	NBR, FPM
<b>Portajuntas</b>	GG 20	<b>Cierres mecánicos</b>	SiC (carburo de silicio)
<b>Brida de corte</b>	Acero inoxidable		

## 2.4 Ámbito de aplicación

Los equipos elevadores de aguas residuales de la serie SANICUBIC® GR sirven para el tratamiento (recogida y transporte) de aguas residuales domésticas e industriales que se acumulan por debajo del nivel de reflujo del alcantarillado.

La variante con bombas trituradoras permite bombear a mayores alturas de bombeo y con mayores longitudes de la línea de presión. La línea de presión se puede instalar en la medida de DN 50.

### Límites de aplicación

- **¡La unidad elevadora no ha sido diseñada para funcionar de manera continua! Los datos de bombeo que figuran en la placa de características sólo son válidos para el modo intermitente (S3 25 %).**
- **El caudal de entrada máximo admisible debe ser siempre inferior al caudal de una bomba (consulte la placa de características)**

**No se deben verter, entre otras cosas:**

- **Materiales sólidos, fibras, alquitrán, arena, cemento, ceniza, papel grueso, pañuelos de papel, toallitas desechables, cartón, escombros, basura, despojos, grasas, aceites.**
- **Todos los objetos de desagüe que queden por encima del nivel de reflujo (EN 12 056-1).**
- **Aguas residuales con sustancias nocivas (DIN 1986-100), p. ej., aguas residuales que contengan grasa de cocinas industriales. El vertido sólo se debe realizar a través de un separador de grasa con arreglo a la norma DIN 4040**

## 2.5 Volumen de suministro

Los equipos elevadores de aguas residuales de la serie SANICUBIC® GR se suministran con:

- bomba(s) trituradoras de la serie SANIPUMP® ZFS 71
- conexión para drenaje de emergencia o bomba de membrana manual
- control neumático y armario de distribución
- conexión flexible para la ventilación de la cámara colectora
- codo de salida de presión DN 32
- válvula(s) de retención esférica(s) DN 32
- tubo bifurcado DN 32/50/32 (sólo para unidades dobles)

## 3. TRANSPORTE Y ALMACENAMIENTO TEMPORAL

### 3.1 Transporte

Los equipos elevadores de aguas residuales de la serie SANICUBIC® GR no se deben tirar ni dejar caer. También se deben transportar horizontalmente.

### 3.2 Almacenamiento temporal/conservación

Para almacenar temporalmente y conservar la máquina es suficiente con almacenarla en un recinto fresco, oscuro, seco y a prueba de heladas. Las unidades deben colocarse horizontalmente.

## 4. DESCRIPCIÓN

### 4.1 Generalidades

Los equipos elevadores de aguas residuales de la serie SANICUBIC® GR son unidades elevadoras simples o dobles listas para conectar y protegidos contra inundaciones por poco tiempo con depósitos colectores de plástico a prueba de olores y de gases. Funcionan con bombas trituradoras verticales con control automático de nivel neumático. Están completamente equipados con cajas de conmutación y todos los elementos de conmutación necesarios.

### 4.2 Estructura y funcionamiento

Las aguas residuales son conducidas con inclinación natural al depósito colector del equipo elevador de aguas residuales SANICUBIC® GR.

#### ATENCIÓN



Como conexiones de entrada sólo se pueden utilizar directamente la conexión lateral (unidad simple) o la conexión trasera (unidad doble) DN 100 con una altura de 250 mm y la conexión superior DN 50/100 (unidad simple) DN 100/150 (unidad doble). **Si se utilizan las conexiones de entrada con una altura de 180 mm, el conducto de la conexión de entrada debe conducirse inmediatamente después de la unidad elevadora unos 250 mm por encima del nivel de instalación.**

El depósito colector está diseñado para **funcionar sin presión**, es decir, las aguas residuales generadas se almacenan temporalmente sin presión y, a continuación, son transportadas al canal de aguas residuales.

En el tubo de remanso atornillado en la parte superior del depósito, el agua sube y comprime el aire que hay en el tubo de remanso hasta que la presión activa el presostato anemométrico de la caja de conmutación. De este modo, se conecta la bomba que transporta el agua a la canalización superior desde el depósito pasando a través de la línea de presión. En el equipo elevador doble SANICUBIC® 2 GR hay en la caja de conmutación un conmutador que conecta alternativamente las bombas. La segunda bomba sólo se conectará en caso de sobrecarga (una bomba no puede soportar el caudal de agua entrante). Una válvula de retención esférica (en las instalaciones doble hay dos) evita que el agua fluya desde la línea de presión hacia el depósito. El dispositivo de conmutación está equipado con un zumbador de alarma que se activa en caso de fallo de la(s) bomba(s) o con un elevado nivel de agua en el depósito. En el dispositivo de conmutación hay, además, contactos de alarma para dispositivos de alarma que se conectan externamente (campana, bocina, etc.). Para obtener información sobre su ubicación consulte el esquema eléctrico del dispositivo de conmutación.

## 5. INSTALACIÓN

### 5.1 Trabajos preparatorios

- Un montaje correcto y adecuado es crucial para un funcionamiento correcto de la unidad elevadora.

Por ese motivo, se deben tener en cuenta los siguientes puntos:

- El lugar de instalación debe ser un recinto bien ventilado, seco y protegido contra heladas.
- El lugar de instalación debe estar suficientemente dimensionado. El recinto debe ser de aprox. 2 a 2,5 m de alto. Según la norma DIN 1986 Parte 3: "...Todos los componentes de la unidad...(y)... todos los elementos de mando...deben ser siempre accesibles y se deben activar sin dificultades. ...Estos componentes de la unidad no deben bloquearse con mercancías almacenadas, muebles, revestimientos o similares..."
- La cimentación del recinto de instalación debe diseñarse, en función del tamaño de la unidad, con arreglo a las posibles cargas que puedan producirse.
- En los recintos que a menudo quedan por debajo, se acumulan las aguas subterráneas y las aguas de infiltración. Por lo tanto, se debe disponer una pequeña arqueta en una esquina del recinto en la que se acumulen estos fluidos y se puedan desechar con una bomba de drenaje de sótanos.
- Un gancho en el techo sobre el lugar de instalación de la unidad elevadora facilita el montaje y los posibles trabajos de mantenimiento y de reparación de la bomba.
- Antes de comenzar el montaje, se deben controlar todas las dimensiones estructurales y las dimensiones de los conductos y se deben comparar con las dimensiones de la unidad. Al hacerlo, es importante asegurarse de que el conducto de entrada con inclinación descendente continua no esté situado a una profundidad superior a la altura de entrada del depósito colector.

## 5.2 Montaje

Durante el montaje, es esencial asegurar una instalación libre de tensión y hermética de las tuberías y válvulas.

### 5.2.1 Instalación

Los equipos elevadores de aguas residuales de la serie SANICUBIC® GR se ajustan en el lugar de instalación a las tuberías existentes. A continuación, se instala en una posición exactamente horizontal y se fija al suelo con los tornillos de fijación suministrados.

DIN 19 760 Parte 1: "...Los equipos elevadores de aguas fecales deben diseñarse de modo que se evite la torsión y flotación de los dispositivos de fijación..."

### 5.2.2 Conexión de entrada

#### ATENCIÓN



Como conexiones de entrada sólo se pueden utilizar directamente la conexión lateral DN 100 con una altura de 250 mm y la conexión superior DN 50/100 en caso de unidades simples o DN 100/150 en caso de unidades dobles. **Las dos conexiones de entrada laterales con una altura de 180 mm deben conducirse inmediatamente después de la unidad elevadora a una altura de 250 mm por encima del nivel de instalación.**

Para conectar el conducto de conexión de entrada, se debe cortar la tapa de la pieza de conexión de entrada necesaria. El conducto de la conexión de entrada se acopla entonces a la pieza de conexión. La conexión de entrada trasera de la unidad elevadora doble debe abrirse con una sierra circular perforadora o con una cuchilla y no debe golpearse **en ningún caso** con un martillo.

#### IMPORTANTE:

Al utilizar la altura mínima de la conexión de entrada de 250 mm se debe tener en cuenta que el control de nivel esté ajustado de modo que, durante el funcionamiento normal, el nivel de agua del depósito suba ligeramente por encima del borde inferior hasta un llenado máximo de  $\frac{1}{2}$  del conducto de la conexión de entrada, antes de que la bomba se conecte. Por lo tanto, en todos los conductos conectados a mayor profundidad, se alcanzará el nivel de agua correspondiente. En los conductos de la conexión de entrada, esto puede provocar que no se excluyan depósitos de suciedad en esta zona y, en casos extremos, puede producir un bloqueo del conducto. Por lo tanto, si es posible, se debe utilizar la conexión de entrada desde arriba.

### 5.2.3 Línea de presión

El codo de brida DN 32, 900 está montado en la salida de presión horizontal y termina verticalmente con una rosca de 5/4".

Es absolutamente necesario instalar las válvulas de retención esféricas incluidas en el volumen de suministro en la línea de presión de la unidad elevadora: DIN 19 760 Parte 3: "...Las válvulas antirretorno deben impedir automáticamente que las aguas residuales salgan de la línea de presión después de que se haya interrumpido el flujo. Al iniciarse el bombeo, se deben abrir automáticamente las válvulas antirretorno..."

Detrás de la válvula de retención esférica, se recomienda instalar una corredera de cierre para facilitar la limpieza o la posible sustitución de las válvulas de retención esféricas.

Las unidades elevadoras dobles se suministran con un tubo bifurcado con una salida de presión DN50 (brida).

La línea de presión debe instalarse con inclinación ascendente continua y sin saltos innecesarios en un codo por encima del nivel de reflujos y, a continuación, descender de manera continua hacia la conexión de la canalización. Si es necesario, la tubería y las válvulas deben apoyarse con abrazaderas o soportes para tuberías.

### 5.2.4 Tubo de ventilación

El tubo de ventilación del depósito Ø 75 mm se conecta directamente al tubo de ventilación del edificio o se instala por separado a través del techo.

### 5.2.5 Conexión eléctrica

#### Normativas de seguridad :

- **Todos los sistemas eléctricos utilizados deben cumplir la norma IEC 364 / VDE 0100, es decir, los enchufes deben tener terminales de puesta a tierra.**
- **¡La conexión eléctrica sólo debe ser llevada a cabo por un electricista especializado! ¡Tenga en cuenta las normas VDE 0100 pertinentes!**
- **La red eléctrica a la que se conecta la unidad debe contar con un interruptor de corriente residual separado de alta sensibilidad IA <30 mA delante del sistema de mando, o para evitar un fallo de la unidad de control cuando se active el interruptor de corriente residual, se debe instalar un interruptor de corriente residual en cada bomba entre la unidad de control y la bomba. Al instalarse en baños o duchas, se deben tener en cuenta las normas correspondientes DIN VDE 0100 Parte 701.**
- **Tenga en cuenta las prescripciones de la norma EN 12 056-4.**
- **En caso de corrientes trifásicas, el fusible externo debe bloquearse mecánicamente con interruptores automáticos tripolares con la característica K. Esto garantiza el aislamiento completo de la red y evita el funcionamiento en dos fases.**
- **Todos los dispositivos eléctricos, como unidad de control, transmisor de alarma y tomas de corriente deben instalarse en estancias secas protegidas contra inundaciones.**
- **Atención: Antes de montar y desmontar la bomba o de llevar a cabo otros trabajos en la unidad, se debe desconectar de la red eléctrica.**
- **La sobrecarga puede sobrecalentar el motor. En caso de sobrecalentamiento, no toque nunca las superficies calientes del motor.**
- **Si se utiliza un cable alargador, éste debe ser de la misma calidad que el cable de conexión suministrado.**

La caja de conmutación debe instalarse de manera que la manguera neumática del control de nivel neumático se tienda con inclinación ascendente continua. Solo así se garantiza un funcionamiento correcto de unidad de control automático. El conector de la unidad (conector CEE o Schuko en una unidad simple) se enchufa justo antes de la puesta en servicio. Las unidades dobles se deben conectar directamente al cable de alimentación. Para ello hay que asegurarse de que el sistema eléctrico cumpla las directivas VDE vigentes.

El esquema del cableado de la unidad elevadora se encuentra en la caja de conmutación y debe permanecer allí para facilitar los trabajos al personal de mantenimiento y del servicio postventa.

## 6. PUESTA EN SERVICIO

Antes de la puesta en servicio, se debe volver a comprobar si todas las conexiones están correctamente montadas. La o las corredera(s) de cierre debe(n) estar abierta(s).

A continuación, se enchufa el conector en la toma de corriente (unidad simple) o se conecta la tensión (unidad doble) y en los sistemas trifásicos se comprueba el sentido de rotación de la bomba. Esto se hace ajustando brevemente el interruptor "Manual/O/Automático" a "Manual". Cuando el motor reduzca gradualmente la marcha se puede comprobar en la mirilla que hay en la parte superior el sentido de rotación con el sentido de rotación correcto (flecha de sentido de rotación). Si la bomba rotase en sentido inverso, se deben invertir dos de las tres fases.

### PELIGRO



**¡Antes de realizar cualquier trabajo en el sistema eléctrico, desconecte el enchufe de red!**

La unidad de control está preajustada para utilizar las conexiones de entrada DN 100 con una altura de conexión de entrada de 250 mm. Si sólo se utiliza la conexión de entrada superior, se pueden ajustar otros puntos de conmutación de la unidad de control para aumentar el volumen de retención.

Altura mínima conexión entrada	Punto de desconexión N1	Punto de conexión N2	Punto de conexión N3 sólo en unidades dobles	Inundación HW	Volumen de conmutación simple/doble
250 mm	3 cm	14 cm	16 cm	18 cm	26 L / 47 L
428 mm	3 cm	25 cm	26 cm	29 cm	45 L / 80 L

A continuación, pulse el interruptor o los interruptores "Automático" y lleve a cabo una marcha de prueba. Para ello, se llena el depósito colector a través de la conexión de entrada normal (lavabos, inodoro, etc.). La unidad debe conectarse automáticamente, el depósito se vaciará y se volverá a desconectar. Una vez desconectada, no debe salir agua de la línea de presión hacia el depósito. En el caso de las unidades dobles, las dos bombas se conectan alternativamente.

El tiempo de marcha en inercia se debe corregir en función las condiciones de instalación y altura de bombeo de modo que la bomba vacíe al máximo el depósito colector y sólo funcione en modo de absorción (ruido fuerte durante el bombeo). El tubo de remanso no debe estar sumergido en el líquido una vez finalizado el proceso de bombeo (indicación en la unidad de control 0 cm). El tiempo de marcha en inercia se puede modificar en el dispositivo de conmutación.

Durante la marcha de prueba, se vuelven a comprobar todas las tuberías y válvulas para detectar si presentan fugas y se vuelven a sellar en caso de que sea necesario.

Si la unidad elevadora no funcionase correctamente, permanecerá en modo automático.

## 7. MANTENIMIENTO

### 7.1 Intervalos de inspección y de mantenimiento

Intervalos de inspección y de mantenimiento según la norma DIN 1986 Parte 31: "El operador deberá comprobar una vez al mes el funcionamiento y las estanqueidad de los equipos elevadores de aguas residuales observando un ciclo de conmutación. ...Los trabajos de mantenimiento de la unidad deben ser llevados a cabo por un especialista. Los intervalos no deben ser superiores a :

1. un trimestre en caso de unidades en establecimientos industriales
2. un semestre en caso de unidades en edificios de viviendas
3. un año en caso de unidades en viviendas unifamiliares.



## 7.2 Trabajos de mantenimiento



¡Antes de realizar cualquier trabajo en la unidad, desconecte el enchufe de red!

### 7.2.1 Depósito colector

Abra la boca de inspección y rocíe el depósito con una manguera para eliminar los depósitos de suciedad de las paredes del depósito.

### 7.2.2 Válvulas de retención esféricas

Abra la boca de inspección y limpie la válvula desde el interior.

### 7.2.3 Otros

El resto de los trabajos de mantenimiento deben ser llevados a cabo por el servicio postventa.

## 8. AVERÍAS: CAUSAS Y SUBSANACIÓN



¡Antes de realizar cualquier trabajo en la unidad, desconecte el enchufe de red!

Avería	Causa	Subsanación
1. El motor no gira	<ul style="list-style-type: none"><li>- tensión demasiado bajo, falta tensión</li><li>- conexión eléctrica errónea</li><li>- cable de corriente defectuoso</li><li>- Fallo del condensador (sólo en motores de corriente alterna)</li><li>- impulsor o bomba trituradora bloqueados</li><li>- guardamotor desconectado por sobrecalentamiento, bloqueo, fallo de tensión</li><li>- error en la unidad de control / presostato defectuoso</li><li>- fugas en la manguera o conexión neumática</li><li>- motor defectuoso</li></ul>	<ul style="list-style-type: none"><li>- compruebe el suministro</li><li>- corrección</li><li>- sustitución/servicio postventa</li><li>- sustitución/servicio postventa</li><li>- limpiar</li><li>- comprobar/servicio postventa</li><li>- comprobar/servicio postventa</li><li>- comprobar/sustitución</li><li>- sustitución/servicio postventa</li></ul>

Avería	Causa	Subsanación
2. El motor gira pero no bombea	<ul style="list-style-type: none"> <li>- impulsor bloqueado o desgastado</li> <li>- válvula de retención bloqueada</li> <li>- corredera de cierre bloqueada o desgastada</li> <li>- línea de presión bloqueada</li> <li>- boquilla de succión bloqueada</li> <li>- sentido de rotación incorrecto</li> <li>- falta agua en el depósito</li> <li>- tubo de ventilación del depósito bloqueada</li> <li>- tubo de ventilación de la carcasa de la bomba bloqueada</li> </ul>	<ul style="list-style-type: none"> <li>- limpiar/sustitución</li> <li>- limpiar</li> <li>- limpiar/abrir</li> <li>- limpiar</li> <li>- limpiar</li> <li>- corrección</li> <li>- desconexión/servicio postventa</li> <li>- limpiar</li> <li>- limpiar</li> </ul>
3. El motor gira y se desconecta	<ul style="list-style-type: none"> <li>- tensión incorrecta o fluctuante</li> <li>- protección térmica diseñada incorrectamente</li> <li>- consumo de corriente demasiado elevado</li> </ul>	<ul style="list-style-type: none"> <li>- corrección/servicio postventa</li> <li>- comprobar/servicio postventa</li> <li>- servicio postventa</li> </ul>
4. El motor no se desconecta	<ul style="list-style-type: none"> <li>- error de la unidad de control</li> <li>- funcionamiento incorrecto del presostato</li> </ul>	<ul style="list-style-type: none"> <li>- servicio postventa</li> <li>- sustitución/servicio postventa</li> </ul>

## 9. GARANTÍA

Como fabricante ofrecemos para este dispositivo una garantía de 24 meses a partir de la fecha de compra.

Como justificante servirá la factura de compra. Dentro de este período de garantía reemplazaremos o sustituiremos, a nuestra discreción, todos los defectos atribuibles a defectos de material o de fabricación.

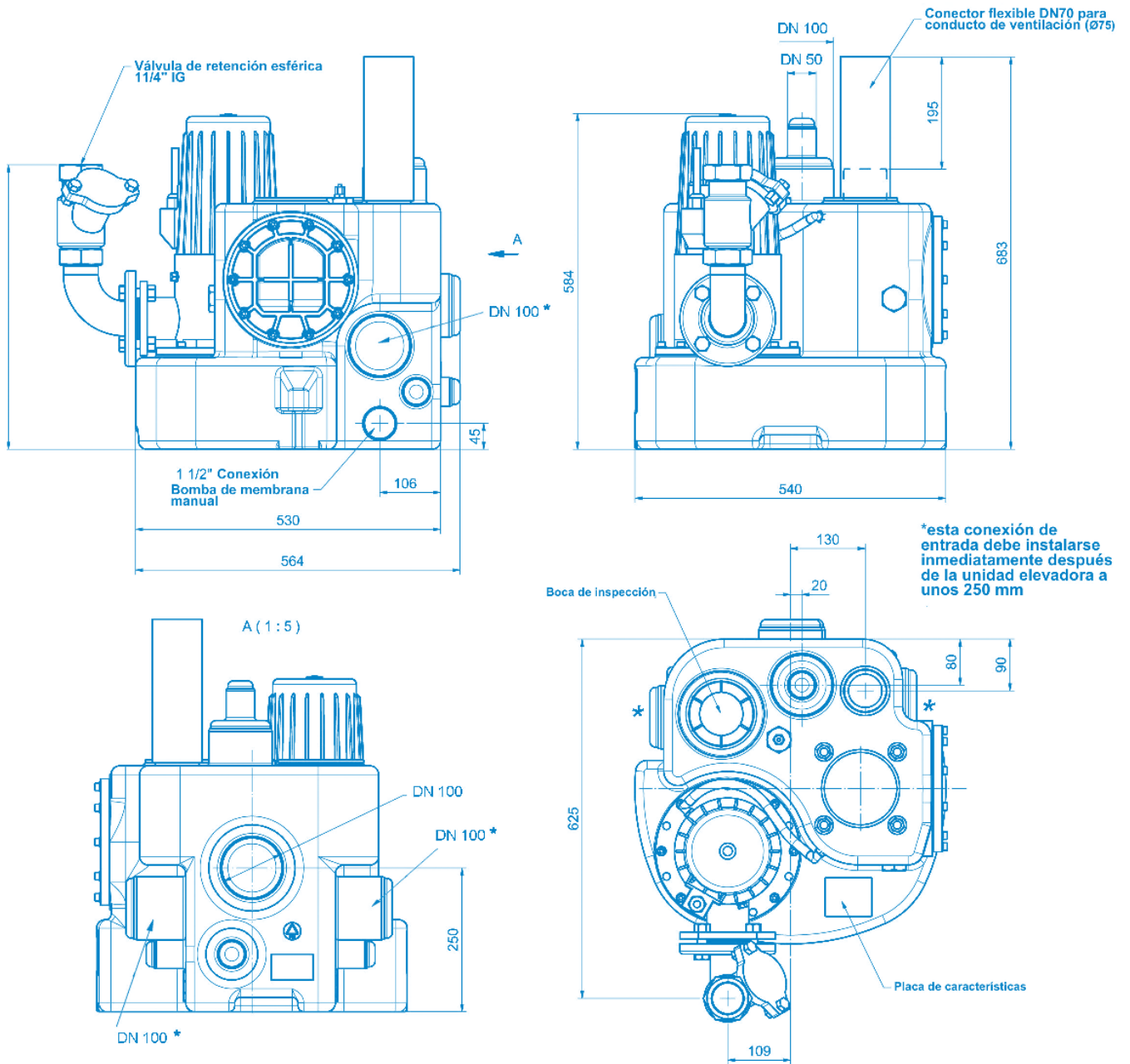
Quedan excluidos de la garantía los defectos atribuibles a un uso inadecuado y a desgaste. No asumiremos ningún daño consecuente causado por el fallo del dispositivo.

## 10. MODIFICACIONES TÉCNICAS

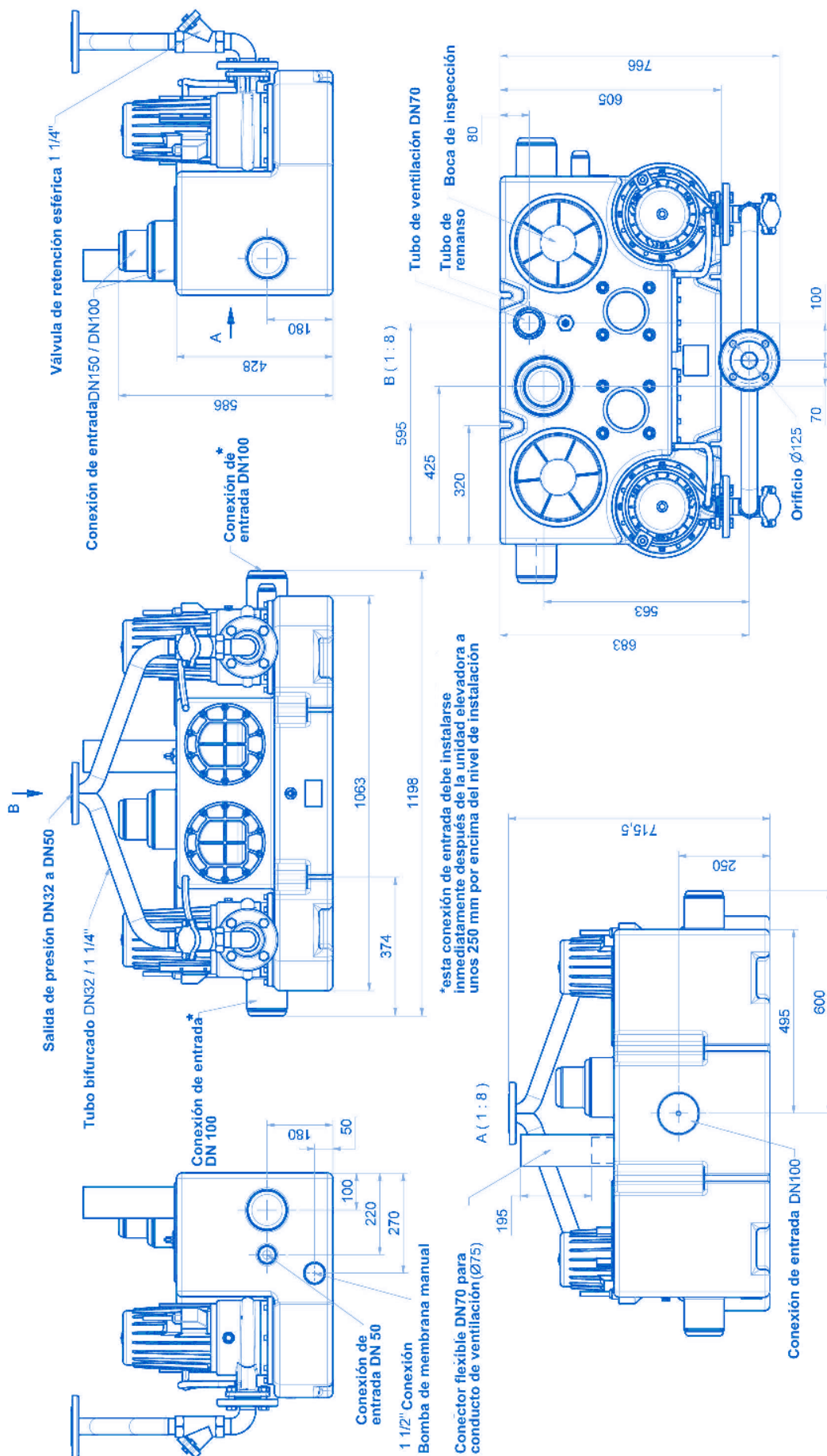
Nos reservamos el derecho de realizar modificaciones técnicas para continuar desarrollando nuestros productos.

# Anexo A: Dimensiones principales

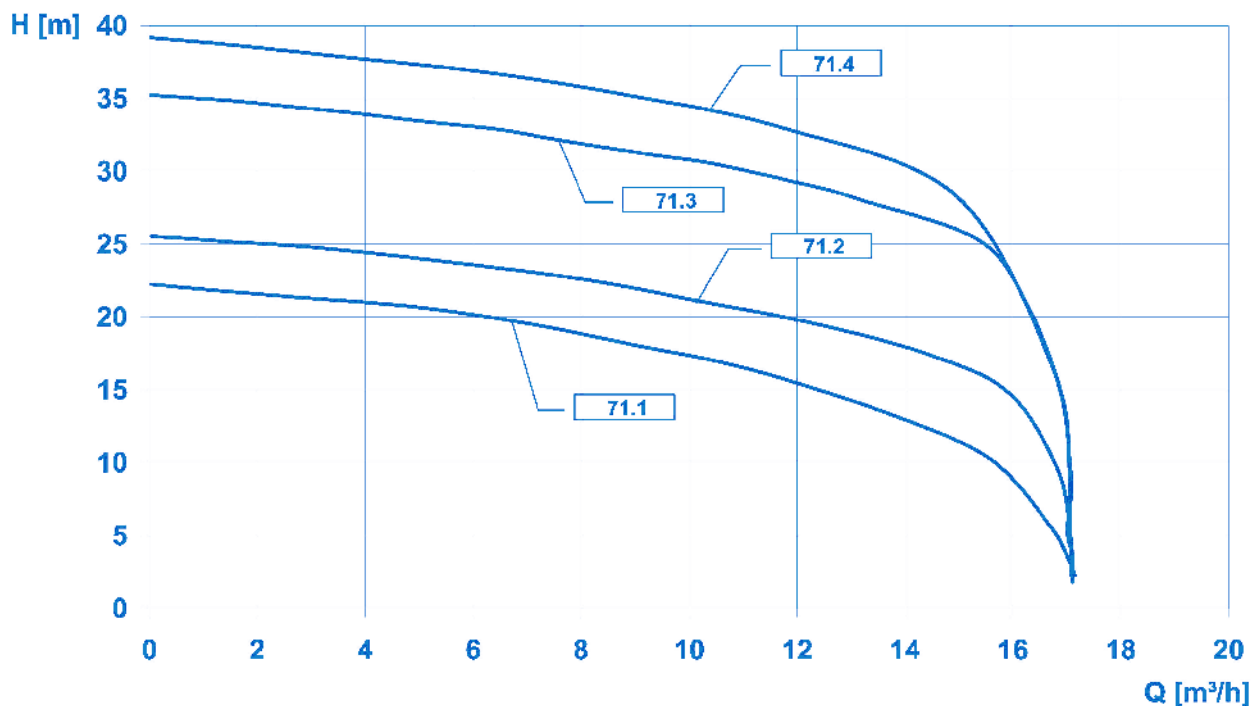
## SANICUBIC® 1 GR



# SANICUBIC® 2 GR



## Anexo B: Gráfico de rendimiento

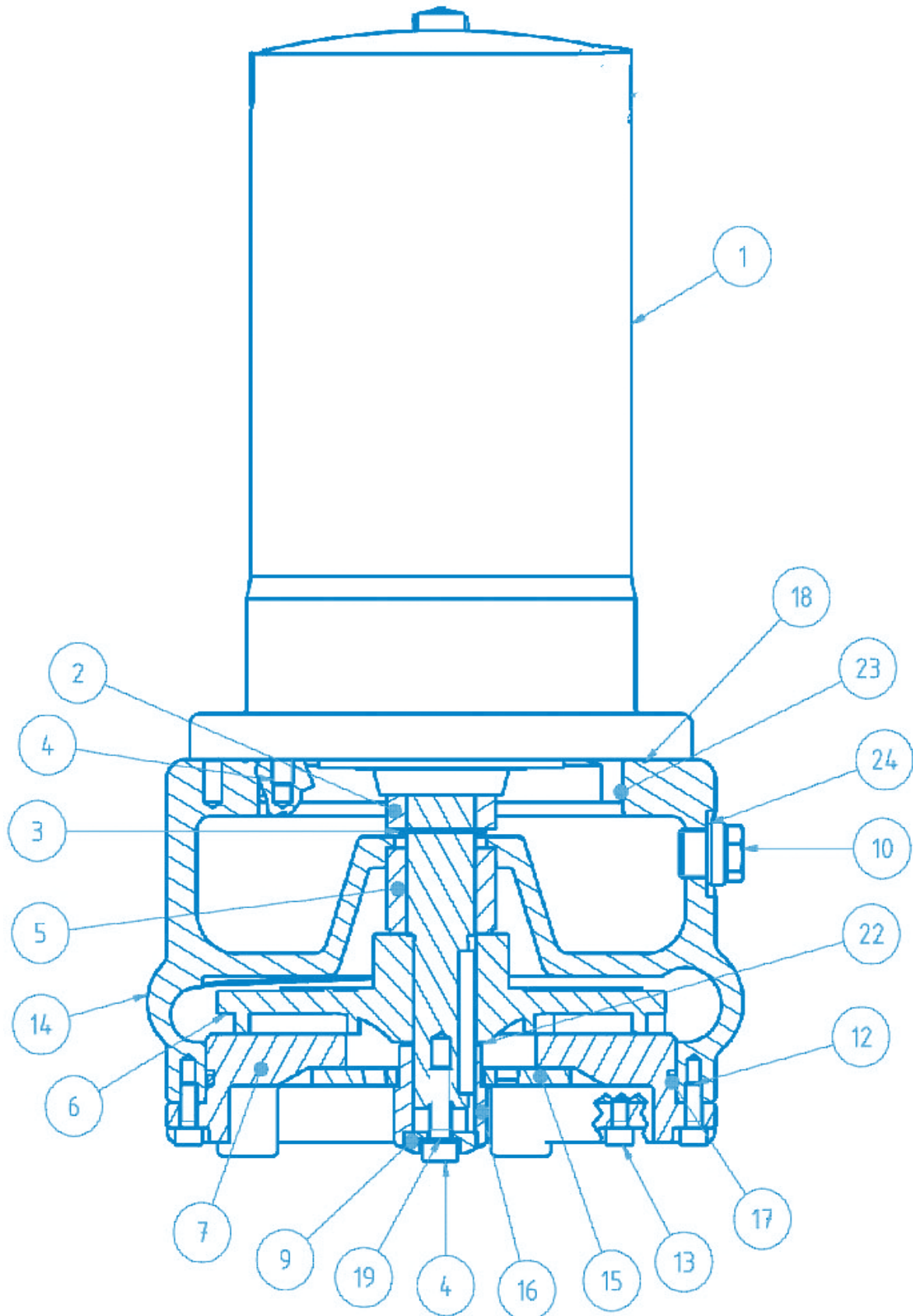


## Anexo C: Listado de piezas de recambio

Pos.	Uds.	Designación	N° artículo
	1	Depósito SANICUBIC® GR	117337
	(1)	Depósito SANICUBIC® 2 GR	
	1 (2)	Boca de succión SANICUBIC® GR	17481
	1 (2)	Boquilla de manguera recta R 3/8"	117191
	1	Tubo de remanso completo	60219
	1	Boca de inspección con junta	117012
	(2)	Boca de inspección unidad doble	
	(2)	Junta para boca de inspección unidad doble	
	1	Dispositivo de conmutación SANICUBIC® GR 230 V	200102
	1	Dispositivo de conmutación SANICUBIC® GR 400 V	255302
	(1)	Dispositivo de conmutación SANICUBIC® 2 GR 400 V	

## Anexo D: Dibujo seccional y listado de piezas de recambio de la bomba

### Dibujo seccional



## Listado de piezas de recambio de la bomba

Pos.	Nº art.	Denominación	Cantidad
	17749	Bomba para SANICUBIC® 1 GR SE71.1 S	1
	17463	Bomba para SANICUBIC® GR SE71.1 T	1 (2)
	17562	Bomba para SANICUBIC® GR SE71.2 T	1 (2)
	17563	Bomba para SANICUBIC® GR SE71.3 T	1 (2)
	17564	Bomba para SANICUBIC® GR SE71.4 T	1 (2)
1	17587	Motor encapsulado SANICUBIC® 1 GR SE71.1 S	1
1	17586	Motor encapsulado SANICUBIC® GR SE71.1 T und SE71.2 T	1
1	17588	Motor encapsulado SANICUBIC® GR SE71.3 T und SE71.4 T	1
2	17356	Cierre mecánico LD1/25-G38 lado del motor	1
3	11679	Anillo retenedor DIN471-A25x1,2	1
4	16381	Tornillo Allen M8x25-A2	5
5	17377	Cierre mecánico MG1/25-G6 lado del material	1
6	17373	Impulsor SANIPUMP® ZFS 71.1 Ø135	1
6	17371	Impulsor SANIPUMP® ZFS 71.2 Ø145	1
6	17372	Impulsor SANIPUMP® ZFS 71.3 Ø160	1
6	17351	Impulsor SANIPUMP® ZFS 71.4 Ø170	1
7	17391	Tapa SANIPUMP® ZFS 71 para estructura del depósito	1
8	17109	Tornillo avellanado M5x10-A2 DIN965	3
9	17352	Racor de cuchilla SANIPUMP® ZFS 71	1
10	11640	Tornillo de cierre, mecaniz. R 3/8 (tubo de ventilación)	1
10	11639	Tornillo de cierre R3/8 DIN910 (aceite)	1
11	11663	Tornillo con argolla DIN 580-M8-A2	1
12	15320	Tornillo Allen M6x20-A2	4
13	10008	Tornillo Allen M6x10-A2	4
14	17355	Carcasa de la bomba SANIPUMP® ZFS 71	1
15	17353	Placa de corte SANIPUMP® ZFS 71	1
16	17354	Cuchilla de corte SANIPUMP® ZFS 71	1
17	11822	Junta tórica 160 x 3,5-NBR70	1
18	11629	Junta tórica 147 x 3	1
19	11672	Anillo obturador 8x14x1 Cu	1
20	11659	Mango	1
21	10666	Tornillo Allen M6x12-A2 DIN 912	2
22	17375	Arandela de ajuste 10x30x0,1 1.4301	2
22	17376	Arandela de ajuste 10x30x0,5 1.4301	2
23	11656	Junta tórica 125x2-NBR70	1
24	11646	Anillo obturador 17x22x1,5 Cu para Pos 230	2
70	11645	Arandela moleteada S8x13x0,8 A2	4
	11690	Aceite blanco técnico NFW Wisura	0,4L

<b>1. SEGURANÇA</b> .....	<b>p. 97</b>
1.1 Marcação de avisos no manual de instruções .....	p. 97
1.2 Qualificação e formação do pessoal .....	p. 98
1.3 Perigos em caso de inobservância das instruções de segurança p.	98
1.4 Trabalhar de forma segura.....	p. 98
1.5 Instruções de segurança para a operadora / o utilizador .....	p. 98
1.6 Instruções de segurança para os trabalhos de manutenção, inspeção e montagem.....	p. 98
1.7 Modificações não autorizadas e produção de peças sobressalentes. p.	99
1.8 Modos de funcionamento não autorizados .....	p. 99
<b>2. INFORMAÇÕES GERAIS</b> .....	<b>p. 99</b>
2.1 Pertença .....	p. 99
2.2 Pedidos e encomendas .....	p. 99
2.3 Dados técnicos .....	p. 100
2.4 Campo de aplicação .....	p. 100
2.5 Volume de fornecimento .....	p. 100
<b>3. TRANSPORTE E ARMAZENAMENTO INTERMEDIÁRIO</b> p.	<b>101</b>
3.1 Transporte .....	p.101
3.2 Armazenamento intermediário/conservação .....	p.101
<b>4. DESCRIÇÃO</b> .....	<b>p. 101</b>
4.1 Informações gerais.....	p. 101
4.2 Estrutura e modo de funcionamento.....	p. 101
<b>5. INSTALAÇÃO</b> .....	<b>p. 101</b>
5.1 Preparação .....	p. 101
5.2 Montagem .....	p. 102
<b>6. COLOCAÇÃO EM FUNCIONAMENTO</b> .....	<b>p. 103</b>
<b>7. MANUTENÇÃO/CONSERVAÇÃO</b> .....	<b>p. 104</b>
7.1 Intervalos de inspeção e de manutenção .....	p. 104
7.2 Trabalho de manutenção .....	p. 104
<b>8. FALHAS, CAUSAS E RESOLUÇÃO</b> .....	<b>p. 105</b>
<b>9. GARANTIA</b> .....	<b>p. 106</b>
<b>10. ALTERAÇÕES TÉCNICAS</b> .....	<b>p. 106</b>
Anexo A : Dimensões principais .....	p. 107
Anexo B : Diagrama de desempenho .....	p. 109
Anexo C : Lista de peças sobressalentes .....	p. 109
Anexo D : Desenho seccional e lista de peças sobressalentes da bomba p.	110



# 1. SEGURANÇA

## ATENÇÃO

Este aparelho pode ser utilizado por crianças com, pelo menos, 8 anos e por pessoas com capacidades físicas, sensoriais ou mentais reduzidas ou com falta de experiência ou de conhecimentos, desde que sejam corretamente vigiadas ou recebam instruções sobre a utilização do aparelho com total segurança e caso tenham compreendido os riscos associados. As crianças não devem brincar com o aparelho. A limpeza e manutenção pelo utilizador não devem ser realizadas por crianças sem supervisão.

## LIGAÇÃO ELÉTRICA:

A instalação elétrica deve ser realizada por um profissional qualificado em eletrotécnica.

O circuito de alimentação do aparelho deve ser ligado à terra (classe I) e protegido por um disjuntor diferencial de alta sensibilidade (30 mA). Os aparelhos sem fichas devem ser ligados a um interruptor principal na alimentação elétrica de modo a garantir que todos os polos são desligados (a distância de separação entre contactos deve ser no mínimo de 3 mm). A ligação deve servir exclusivamente para a alimentação do aparelho.

Em caso de danos no cabo de alimentação, este deve ser substituído pelo fabricante ou pelo serviço técnico para evitar situações de risco.

Este manual de instruções contém informações básicas que devem ser observadas durante a instalação, operação e manutenção. Por este motivo, este manual de instruções deve ser lido pelo instalador e pelo pessoal técnico/operador responsável antes da instalação e colocação em funcionamento e deve estar sempre disponíveis no local de instalação da máquina/sistema.

Não apenas as instruções gerais de segurança listadas neste ponto principal Segurança devem ser observadas, mas também as instruções especiais de segurança inseridas em outros pontos principais, por exemplo, para uso privado.

### 1.1 Marcação de avisos no manual de instruções



**PERIGO**

#### Perigo

Este termo define um perigo com riscos elevados que podem conduzir à morte ou a ferimentos graves, caso não seja evitado.



#### Zona de perigo

Este símbolo caracteriza, perigos que podem conduzir à morte ou a ferimentos.



#### Alimentação eléctrica perigosa

Este símbolo caracteriza, perigos inerentes à alimentação eléctrica e dá informações sobre a proteção contra a alimentação eléctrica.

**ATENÇÃO**



#### Danos materiais

Este símbolo caracteriza, em combinação com a palavra-chave **ATENÇÃO**, perigos para a máquina.

Instruções fixadas diretamente na máquina como, por exemplo sentido da seta de rotação, marcação das ligações de líquido, devem ser observadas e mantidas num estado totalmente legível.

## **1.2 Qualificação e formação do pessoal**

O pessoal para a operação, manutenção, inspeção e montagem deve ter as qualificações adequadas para este trabalho. A área de responsabilidade, responsabilidade e monitorização do pessoal deve ser regulada com precisão pela operadora. Se o pessoal não possuir os conhecimentos necessários, este deve ser formado e instruído. Se necessário, isto pode ser feito pelo fabricante/fornecedor em nome da operadora da máquina. Além disso, a operadora deve certificar-se de que o conteúdo do manual de instruções é totalmente compreendido pelo pessoal.

## **1.3 Perigos em caso de inobservância das instruções de segurança**

A inobservância das instruções de segurança pode pôr em perigo as pessoas, o meio ambiente e a máquina. A inobservância das instruções de segurança pode levar à perda de eventuais pedidos de indemnização.

A inobservância pode causar, por exemplo, os seguintes perigos:

- Falha de funções importantes da máquina/sistema
- Falha dos métodos prescritos para a manutenção e conservação
- Perigo para pessoas devido a influências elétricas, mecânicas e químicas
- Perigo para o meio ambiente devido a fugas de substâncias perigosas.

## **1.4 Trabalhar de forma segura**

As instruções de segurança contidas neste manual de instruções, os regulamentos nacionais de prevenção de acidentes existentes e quaisquer instruções internas de trabalho, operação e manutenção devem ser observadas.

## **1.5 Instruções de segurança para a operadora / o utilizador**

- Se as peças quentes ou frias da máquina representarem perigo, estas peças devem ser protegidas contra contacto por parte do cliente.
- A proteção contra o contacto com peças móveis (p. ex., acoplamento) não pode ser removida com a máquina em funcionamento.
- As fugas (p. ex., do vedante de eixo) de substâncias perigosas (p. ex., explosivas, tóxicas, quentes) devem ser removidas de modo a não representarem perigo para as pessoas ou para o meio ambiente. Os regulamentos legais devem ser respeitados.
- Os perigos da energia elétrica devem ser excluídos (para mais detalhes, consulte, por exemplo, os regulamentos da VDE e as empresas locais de fornecimento de energia).

## **1.6 Instruções de segurança para os trabalhos de manutenção, inspeção e montagem**

A operadora deve garantir que todos os trabalhos de manutenção, inspeção e instalação sejam realizados por pessoal técnico autorizado e qualificado, que tenha estudado cuidadosamente o manual de instruções e obtido informações suficientes. Em princípio, os trabalhos na máquina só devem ser realizados com a máquina parada. O procedimento descrito no manual de instruções para parar a máquina deve ser rigorosamente respeitado.

As bombas ou unidades de bomba que transportam meios nocivos à saúde devem ser

descontaminadas. Imediatamente após a conclusão dos trabalhos, todos os dispositivos de segurança e de proteção devem ser montados de novo ou postos em funcionamento.

Antes da (re)colocação em funcionamento, devem ser observados os pontos listados na secção de colocação em funcionamento.

### **1.7 Modificações não autorizadas e produção de peças sobressalentes**

A máquina só pode ser transformada ou modificada após consulta ao fabricante. As peças sobressalentes e acessórios originais autorizados pelo fabricante servem para fins de segurança. A utilização de outras peças pode anular a responsabilidade pelas consequências daí resultantes.

### **1.8 Modos de funcionamento não autorizados**

A segurança operacional da máquina fornecida só é garantida se esta for utilizada de acordo com o previsto no capítulo 2 - *Informações gerais* do manual de instruções. Os valores-limite especificados na folha de dados não podem, em caso algum, ser ultrapassados.

## **2. INFORMAÇÕES GERAIS**

### **2.1 Pertença**

Este manual de instruções é válido para as unidades elevatórias de águas residuais com bomba(s) de unidade de corte da série SANICUBIC® GR.

**A inobservância do manual de instruções - em particular das instruções de segurança -, assim como a modificação não autorizada do aparelho ou a instalação de peças sobressalentes não originais anula automaticamente a garantia. O fabricante não se responsabiliza por quaisquer danos daí resultantes!**

**Como qualquer outro aparelho elétrico, este produto pode falhar devido a uma falta de energia ou a um defeito técnico. Se isso puder causar danos, um gerador de energia de emergência, uma bomba de diafragma manual, um segundo sistema (sistema duplo) e/ou um sistema de alarme independente da rede devem ser planeados de acordo com a aplicação. Também após a compra nós estamos à sua disposição como um fabricante para lhe consultar. Em caso de defeitos ou danos, contacte o seu revendedor.**

### **Produtos :**

SANICUBIC® 1 GR SE71.1 S	SANICUBIC® 2 GR SE71.1 T
SANICUBIC® 1 GR SE71.1 T	SANICUBIC® 2 GR SE71.2 T
SANICUBIC® 1 GR SE71.2 T	SANICUBIC® 2 GR SE71.3 T
SANICUBIC® 1 GR SE71.3 T	SANICUBIC® 2 GR SE71.4 T
SANICUBIC® 1 GR SE71.4 T	

### **2.2 Pedidos e encomendas**

Por favor, encaminhe os seus pedidos e as suas encomendas para o seu revendedor especializado.

## 2.3 Dados técnicos

Tipo SANICUBIC® GR	Desempenho P1 [kW]	Desempenho P2 [kW]	Tensão U [V]	Corrente nominal I <sub>N</sub> [A]	Rotação em caso de 50 Hz [n <sup>-1</sup> ]	Flange da bomba	Entrada	Altura da entrada h [mm]
SE71.1 S	2,2	1,7	230	10,5	2 800	DN 50	Sistema simples: DN 100 DN 50/100	250 576
SE71.1 T	2,1	1,7	400	3,7	2 800	DN 50		
SE71.2 T	2,1	1,7	400	3,7	2 800	DN 50	Sistema duplo: DN 100 DN 100/150	250 586
SE71.3 T	3,9	3,2	400	6,5	2 800	DN 50		
SE71.4 T	3,9	3,2	400	6,5	2 800	DN 50		

Temperatura máxima do meio: 55°C

Diâmetro mínimo da abertura de alimentação para a unidade elevatória simples: 600 mm

## Materiais

Recipiente	PE LD	Lâmina de cortar	Aço inoxidável
Caixa da bomba	GG 20	Eixo do motor	Aço inoxidável
Roda	GG 20	Vedantes	NBR, FPM
Suporte do vedante	GG 20	Vedação de anel deslizante	SiC (siliciumcarbide)
Flange de corte	Aço inoxidável		

## 2.4 Campo de aplicação

As unidades elevatórias de águas residuais da série SANICUBIC® GR são utilizadas para a eliminação (coleta e transporte) de águas residuais domésticas e industriais que se acumulam abaixo do nível do esgoto.

A versão com bombas de unidade de corte permite bombear sobre cabeçotes de saída maiores e comprimentos de tubo de pressão. O tubo de pressão pode ser instalada na dimensão DN 50.

### Limites de utilização :

• **A estação de elevação não foi concebido para o funcionamento contínuo! Os dados de transporte indicados na placa de fábrica são válidos apenas para o funcionamento intermitente (S3 25 %).**

• **O caudal de entrada máximo admissível deve ser sempre inferior ao caudal de uma bomba (ver placa de características)**

**Não devem ser iniciados, entre outros, os seguintes aspetos:**

• **Materiais sólidos, materiais fibrosos, alcatrão, areia, cimento, cinzas, papel grosso, toalhas de papel, panos de lavagem descartáveis, papelão, entulho, lixo, resíduos de matadouros, gorduras, óleos.**

• **Todos os objetos de drenagem acima do nível do refluxo (EN 12 056-1).**

• **Águas residuais contendo substâncias nocivas (DIN 1986-100), por exemplo, águas residuais gordas de cozinhas de cantinas. A gordura só pode ser introduzida através de um separador de gordura de acordo com a norma DIN 4040-1.**

## 2.5 Volume de fornecimento

As unidades elevatórias de águas residuais da série SANICUBIC® GR são fornecidas com:

- bomba(s) de unidade de corte montada(s) da série SANIPUMP® ZFS 71
- ligação para drenagem de emergência ou bomba manual de membrana
- comando pneumático e caixa de distribuição
- ligação flexível para a ventilação da área de coleta
- curva de saída de pressão DN 32
- válvula(s) de retenção DN 32
- Tubo em Y DN 32/50/32 (só para máquinas duplas).

## 3. TRANSPORTE E ARMAZENAMENTO INTERMEDIÁRIO

### 3.1 Transporte

As unidades elevatórias de águas residuais da série SANICUBIC® GR não devem ser lançadas nem deixadas cair. Elas também devem ser transportados horizontalmente.

### 3.2 Armazenamento intermediário/conservação

Para o armazenamento intermediário e conservação, é suficiente armazenar o produto num local fresco, escuro, seco e à prova de geada. O sistema deve encontrar-se em posição horizontal.

## 4. DESCRIÇÃO

### 4.1 Informações gerais

As unidades elevatórias de águas residuais da série SANICUBIC® GR são unidades de elevação simples ou duplas prontas para conexão com tanques coletores de plástico estanques a gás e a odores que podem ser inundados por períodos curtos. Funcionam com bombas de unidades de corte verticais com controlo automático do nível pneumático. Elas são equipadas com caixa de interruptores e todos os elementos de comutação necessários.

### 4.2 Estrutura e modo de funcionamento

As águas residuais correm com um gradiente natural no tanque coletor da unidade elevatória de águas residuais SANICUBIC® GR.

#### ATENÇÃO



Apenas a ligação lateral (máquinas simples) ou traseira (máquinas duplas) DN 100 com uma altura de 250 mm e a ligação superior DN 50/100 (máquinas simples) DN 100/150 (sistema duplo) podem ser utilizadas diretamente como entradas. **Se forem utilizadas entradas com uma altura de 180 mm, o tubo de entrada deve ser encaminhado imediatamente após a estação de elevação para 250 mm acima do nível de instalação.**

O tanque coletor é projetado para **operação sem pressão**, ou seja, as águas residuais são armazenadas temporariamente sem pressão e depois transportadas para o canal de águas residuais.

No tubo de pitot aparafusado no topo do tanque, a água sobe e comprime o ar no tubo de pitot até que a pressão ative o pressostato de pitot na caixa de interruptores. A bomba é então ligada e bombeia a água do tanque através do tubo de pressão para o canal superior. Na estação de elevação SANICUBIC® 2 GR, existe um interruptor de comutação na caixa de interruptores que liga alternadamente as bombas. Apenas em caso de operação de sobrecarga (uma bomba não consegue lidar com a quantidade de água de entrada) é que a segunda bomba é ligada. Uma válvula de retenção, em máquinas duplas duas válvulas de retenção, evita que a água volte do tubo de pressão para o tanque. O aparelho de distribuição está equipado com um sinal sonoro de alarme, que é ativado se a(s) bomba(s) falhar(em) ou se o nível de água no depósito for demasiado elevado. Além disso, os contactos de alarme para dispositivos de alarme conectados externamente (campainha, buzina, etc.) estão disponíveis no painel. Por favor, consulte o diagrama elétrico do painel de distribuição para a posição.

## 5. INSTALAÇÃO

### 5.1 Preparações

O funcionamento sem problemas da estação de elevação depende também de uma instalação correta e sem falhas. Por esta razão, os seguintes pontos devem ser observados:

- O local de instalação deve ser um local bem ventilado, seco e sem gelo.
- O local de instalação deve ser suficientemente dimensionado. A altura da sala deve ser de cerca de 2 a 2,5 m. De acordo com a DIN 1986 Parte 3: "...Todos os componentes do sistema...(e)...todos os elementos operacionais...devem ser acessíveis em segurança em todos os momentos e fáceis de operar. ...Estes componentes do sistema não devem ser bloqueados por mercadorias armazenadas, móveis, revestimentos ou similares..."
- A fundação da sala de instalação deve ser projetada de acordo com as possíveis cargas que possam ocorrer, dependendo do tamanho do sistema.
- As águas subterrâneas ou a água infiltrada acumulam-se frequentemente nas divisões mais baixas. Portanto, deve haver um pequeno poço num canto da sala onde estes líquidos se acumulam e podem ser eliminados com uma bomba de drenagem da cave.
- Um gancho de teto acima do local de instalação da estação de elevação facilita a instalação, assim como qualquer trabalho de manutenção e reparação na bomba.
- Antes de iniciar a montagem, todas as dimensões da construção e do tubo devem ser verificadas e comparadas com as dimensões do sistema. Deve-se ter especial cuidado para garantir que o tubo de entrada sempre em queda não seja inferior à altura de entrada do depósito de recolha.

## 5.2 Montagem

Durante a montagem, é essencial garantir que as tubulações e válvulas sejam instaladas sem tensão e com firmeza.

### 5.2.1 Instalação

As unidades elevatórias de águas residuais da série SANICUBIC® GR estão alinhadas no local de instalação de acordo com quaisquer tubulações existentes. Aqui é agora colocada exatamente na horizontal e fixada no chão com os parafusos de fixação fornecidos.

DIN 19 760 Parte 1: "...A estação de elevação de esgotos deve ser concebida de modo a evitar torções e flutuações por meio de dispositivos de fixação..."

### 5.2.2 Entrada

#### ATENÇÃO



Apenas a ligação lateral DN 100 com 250 mm de altura e a ligação superior DN 50/100 para máquinas individuais ou DN 100/150 para máquinas duplas podem ser utilizadas diretamente como entradas. **As duas entradas laterais com uma altura de 180 mm devem ser conduzidas imediatamente após a estação de elevação para uma altura de 250 mm acima do nível de montagem!**

Para conectar a linha de entrada, serrar a tampa da peça de conexão de entrada necessária. A linha de entrada é então encaixada na peça de conexão. A entrada traseira do aparelho de elevação duplo deve ser aberta com uma serra ou faca circular e **nunca** deve ser atingida com um martelo!

#### IMPORTANTE:

Ao utilizar a cabeça de entrada mínima de 250 mm, deve ser assegurado que o controlo de nível é regulado de modo a que, em funcionamento normal, o nível de água no depósito suba ligeiramente acima do limite inferior até um máximo de ½ enchimento da tubagem de entrada antes de a bomba ser ligada. Portanto, um nível de água correspondente ocorrerá em todos os tubos que estão conectados mais profundamente. No caso de linhas de alimentação, isto pode levar a que os depósitos de sujidade nesta área não sejam descartados e, em casos extremos, a entupimento da linha. Se possível, a entrada de cima deve ser utilizada.

### 5.2.3 Tubo de pressão

AA curva de flange DN 32, 900 é montada na saída de descarga horizontal da bomba e termina verticalmente com uma rosca de 5/4".

A instalação das válvulas de retenção incluídas no volume de fornecimento no tubo de pressão da estação de elevação é absolutamente necessária: DIN 19 760 Parte 3: «...A válvula de retenção deve impedir automaticamente o refluxo de águas residuais do tubo de pressão após a interrupção do fluxo. Quando o

transporte começa, a válvula de retenção deve abrir-se automaticamente..."

Recomenda-se instalar uma válvula de gaveta atrás da válvula de retenção para facilitar a limpeza ou possível substituição das válvulas de retenção.

Um tubo em Y com uma saída de pressão DN50 (flange) está incluído no volume de fornecimento para unidades de elevação duplas.

A tubagem de pressão deve ser colocada continuamente a subir e sem saltos desnecessários numa curva sobre o nível de refluxo, caindo depois continuamente para a ligação da conduta. Se necessário, a tubagem e os acessórios devem ser suportados por braçadeiras ou suportes de tubos.

#### **5.2.4 Ventilação**

A ventilação do tanque Ø 75 mm é ligada diretamente ao tubo de ventilação do edifício ou instalada separadamente através do telhado.

#### **5.2.5 Ligação elétrica**

##### **Regra de segurança :**

**• Todos os sistemas elétricos utilizados devem estar em conformidade com a norma IEC 364 / VDE 0100, ou seja, as tomadas devem ter terminais de ligação à terra.**

**• A ligação elétrica só pode ser efetuada por um electricista qualificado! Respeite os regulamentos VDE 0100 relevantes!**

**• A rede elétrica à qual o sistema está ligado deve ter um disjuntor de corrente residual de alta sensibilidade IA <30 mA a montante do sistema de comando ou, para evitar uma falha do sistema de comando quando o disjuntor de corrente residual responde, deve ser instalado um disjuntor de corrente residual entre o sistema de comando e a bomba para cada bomba. Ao instalar em casas de banho e chuveiros, devem ser respeitados os regulamentos DIN VDE 0100 Parte 701 correspondentes.**

**• Por favor, observe os regulamentos da EN 12 056-4.**

**• No caso de uma ligação trifásica de corrente, o fusível externo deve ser geralmente fornecido com disjuntores tripolares com a característica K. Isso garante o isolamento completo da rede elétrica e evita a operação em 2 fases.**

**• Todos os dispositivos elétricos, como sistema de comando, dispositivo de alarme e tomada, devem ser instalados em salas secas para evitar inundações.**

**• Atenção! A bomba deve ser separada da rede elétrica antes de cada montagem e desmontagem da bomba ou de outros trabalhos no sistema.**

**• A sobrecarga pode provocar o sobreaquecimento do motor. Nunca toque nas superfícies quentes do motor em caso de sobreaquecimento.**

**• Se for utilizado um cabo de extensão, este deve ser da mesma qualidade que o cabo de ligação fornecido.**

A caixa de interruptores deve ser instalada de modo a que a mangueira pneumática para o controlo do nível pneumático seja instalada continuamente a subir. Esta é a única forma de garantir que o sistema de controlo automático funciona corretamente. A ficha do sistema (ficha CEE ou Schuko para um único sistema) só é ligada diretamente antes da colocação em funcionamento. Os sistemas duplos devem ser ligados diretamente ao cabo de alimentação. Deve ser assegurado que o sistema elétrico está em conformidade com as diretivas VDE aplicáveis.

O esquema elétrico para a estação de elevação está localizado na caixa de controlo e deve ser deixado lá para facilitar o trabalho do pessoal de manutenção e serviço.

## **6. COLOCAÇÃO EM FUNCIONAMENTO**

Antes da colocação em funcionamento, todas as ligações devem ser novamente verificadas quanto à montagem correta; a(s) válvula(s) de bloqueio deve(m) estar aberta(s).

Agora a ficha é ligada à tomada (sistema simples) ou a tensão é ligada (sistema duplo) e o sentido de rotação da bomba é verificado para sistemas trifásicos. Isto é feito ajustando brevemente o interruptor

manual/0/automático para "Manual". Quando o motor se esgota, o sentido de rotação no visor do lado superior pode ser comparado com o sentido de rotação correto (seta de sentido de rotação). Se a bomba voltar para trás, duas das três fases devem ser trocadas.

 **PERIGO**



**Desligue a ficha da tomada antes de realizar qualquer trabalho no sistema elétrico !**

O sistema de comando já está predefinido para a utilização de entradas DN 100 com cabeça de entrada de 250 mm. Se for utilizada apenas a entrada superior, outros pontos de comutação podem ser ajustados no comando para aumentar o volume de armazenamento.

Altura mínima da entrada	Ponto de desligamento N1	Ponto de ligação N2	Ponto de ligação N3 só no sistema duplo	Inundação HW	Volume de comutação Simples/duplo
250 mm	3 cm	14 cm	16 cm	18 cm	26 L / 47 L
428 mm	3 cm	25 cm	26 cm	29 cm	45 L / 80 L

Agora pressione o botão ou os botões "Automático" e realize um teste de funcionamento. O recipiente de recolha é enchido através da entrada normal (lavatório, sanita, etc.). O sistema tem de se ligar automaticamente, esvaziar o depósito e desligar novamente. Depois de desligar, não pode sair água do tubo de pressão de volta para o tanque. Em sistemas duplos, ambas as bombas são comutadas alternadamente.

Dependendo das condições de instalação e do cabeçote de distribuição, o tempo de retardamento deve ser corrigido de modo que a bomba esvazie o tanque coletor ao máximo e só funcione em modo ronco por um curto período de tempo (ruído alto durante a bombagem). O tubo de pitot não deve ser imerso no líquido após a conclusão do processo de bombagem (indicação de 0 cm no comando). O tempo de retardamento pode ser alterado no painel de distribuição.

Durante o teste de funcionamento, todos os tubos e conexões são novamente verificados quanto a estanqueidade e, se necessário, vedados novamente.

Se a estação de elevação funcionar corretamente, o sistema permanece no modo automático.

## 7. MANUTENÇÃO/CONSERVAÇÃO

### 7.1 Intervalos de inspeção e de manutenção

Intervalos de inspeção e manutenção de acordo com DIN 1986 Parte 31: "As unidades elevatórias de águas residuais devem ser verificadas uma vez por mês pelo operador quanto à sua operabilidade e estanqueidade, observando um ciclo de comutação. ...O sistema deve ser assistido por um perito. Os intervalos de tempo não devem ser superiores a :

1. 3 meses para sistemas em operações comerciais
2. 6 meses para sistemas em edifícios de apartamentos
3. 1 ano para sistemas em habitações unifamiliares.

### 7.2 Trabalho de manutenção

 **PERIGO**



**Desligue a ficha da tomada antes de realizar qualquer trabalho no sistema!**



### 7.2.1 Depósito coletor

Abra a tampa de inspeção e pulverize o depósito com a ajuda de uma mangueira para remover depósitos de sujidade das paredes do depósito.

### 7.2.2 Válvula de retenção

Abra a tampa de inspeção e limpe a válvula no interior.

### 7.2.3 Outros

Todos os outros trabalhos de manutenção devem ser executados pelo serviço ao cliente.

## 8. FALHAS, CAUSAS E RESOLUÇÃO



**PERIGO**



**Desligue a ficha da tomada antes de realizar qualquer trabalho no sistema !**

Falha	Causa	Resolução
1. Motor não gira	<ul style="list-style-type: none"><li>- Tensão demasiado baixa, falta tensão</li><li>- Conexão de energia errada</li><li>- Cabo de alimentação defeituoso</li><li>- Erro no condensador (apenas para motores de corrente alternada)</li><li>- Roda ou unidade de corte bloqueada</li><li>- Proteção do motor desligada devido a sobreaquecimento, bloqueio, erro de tensão</li><li>- Erro de controlo / pressostato com defeito</li><li>- Mangueira ou ligação pneumática não estanque</li><li>- Motor defeituoso</li></ul>	<ul style="list-style-type: none"><li>- Verificar fornecimento</li><li>- Correção</li><li>- Troca/Serviço ao Cliente</li><li>- Troca/Serviço ao Cliente</li><li>- Limpar</li><li>- Verificar/Serviço ao cliente</li><li>- Verificar/Serviço ao Cliente</li><li>- Verificar/Trocar</li><li>- Troca/Serviço ao Cliente</li></ul>
2. O motor gira, mas não bombeia	<ul style="list-style-type: none"><li>- Rotor bloqueado ou gasto</li><li>- Válvula de retenção entupida</li><li>- Válvula de bloqueio entupida ou gasta</li><li>- Tubo de pressão entupido</li><li>- Bico de aspiração entupido</li><li>- Sentido de rotação errado</li><li>- Falta de água no recipiente</li><li>- Ventilação do recipiente entupida</li><li>- Ventilação da caixa da bomba entupida</li></ul>	<ul style="list-style-type: none"><li>- Limpar/Trocar</li><li>- Limpar</li><li>- Limpar/Abrir</li><li>- Limpar</li><li>- Limpar</li><li>- Correção</li><li>- Desligar/Serviço ao cliente</li><li>- Limpar</li><li>- Limpar</li></ul>
3. O motor gira e desliga	<ul style="list-style-type: none"><li>- Tensão errada ou flutuante</li><li>- Proteção térmica projetada incorretamente</li><li>- Consumo de corrente demasiado elevado</li></ul>	<ul style="list-style-type: none"><li>- Correção/Serviço ao cliente</li><li>- Verificar/Serviço ao cliente</li><li>- Serviço ao Cliente</li></ul>
4. Motor não desliga	<ul style="list-style-type: none"><li>- Erro do sistema de comando</li><li>- A função do pressostato não está correta</li></ul>	<ul style="list-style-type: none"><li>- Serviço ao cliente</li><li>- Troca/Serviço ao cliente</li></ul>

## **9. GARANTIA**

---

Como fabricante, garantimos este aparelho por 24 meses a partir da data de compra.

O seu recibo é considerado como prova. Dentro deste período de garantia, nós reparamos ou substituímos gratuitamente, por opção nossa, todos os defeitos atribuíveis a defeitos de material ou de fabrico, através de reparação ou substituição.

Estão excluídos da garantia os danos causados por uso inadequado e desgaste. Não assumiremos quaisquer danos consequenciais causados por falha do aparelho.

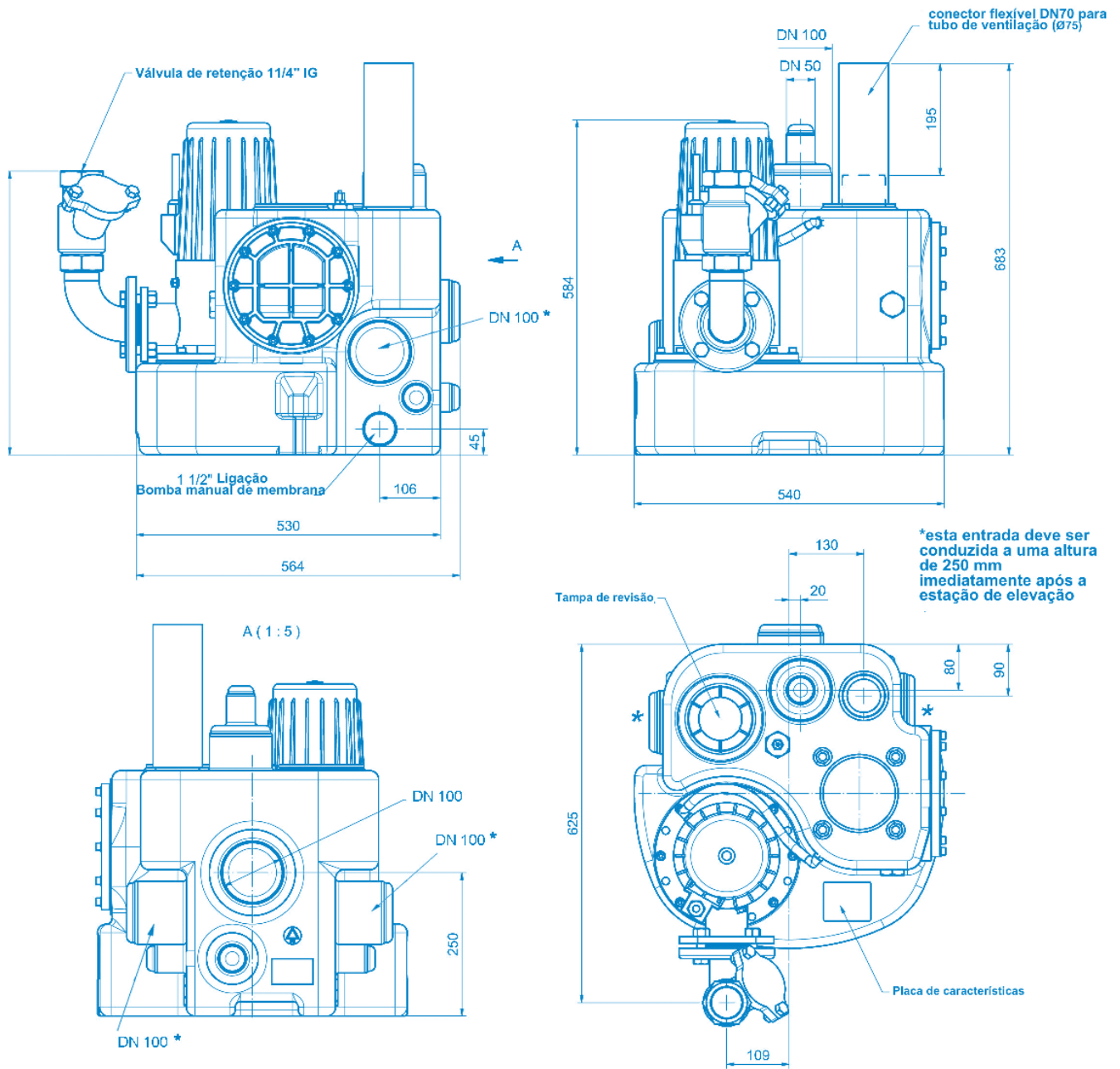
## **10. ALTERAÇÕES TÉCNICAS**

---

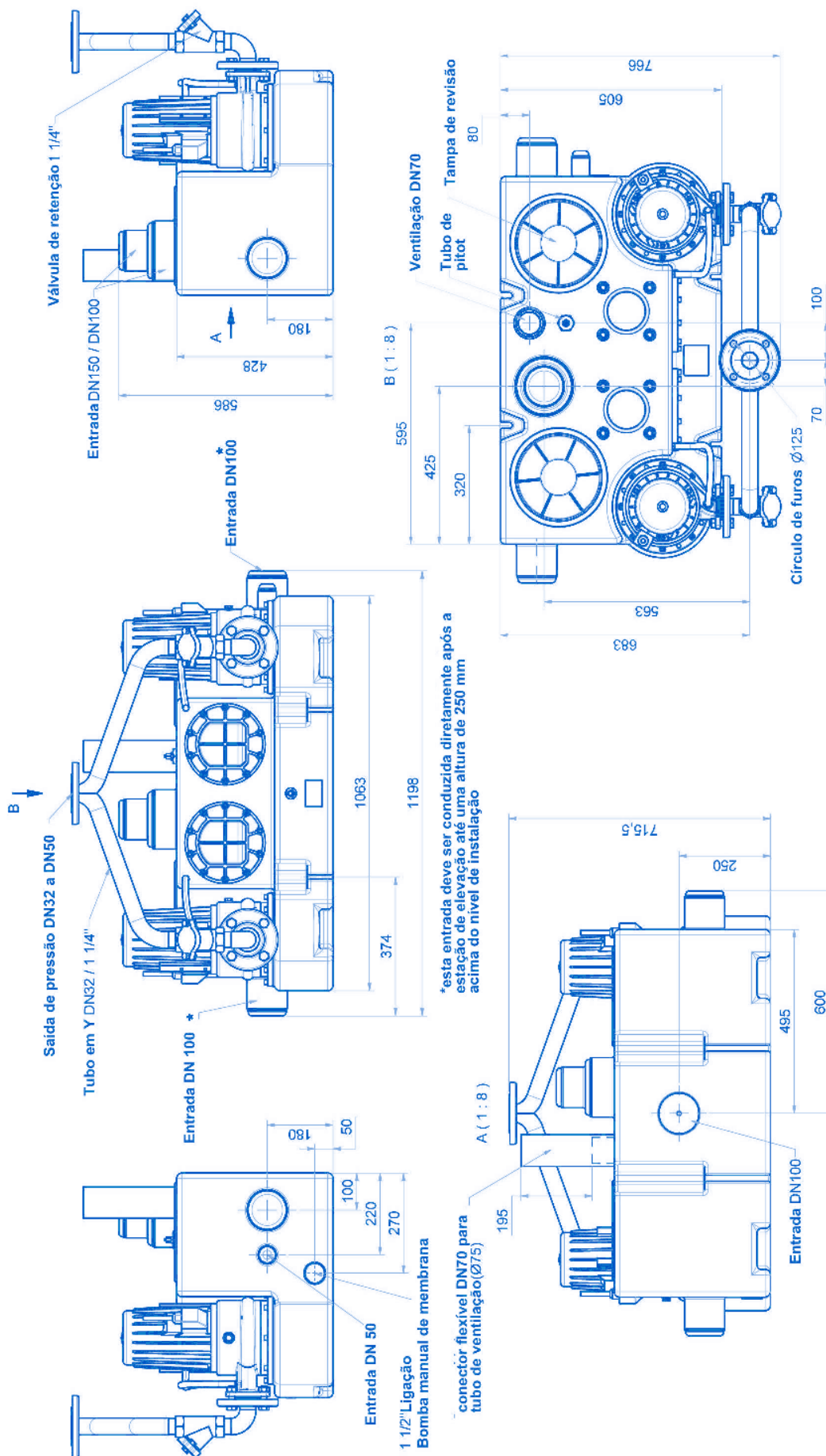
Nós nos reservamos o direito de fazer alterações técnicas para fins de desenvolvimento futuro.

# Anexo A: Dimensões principais

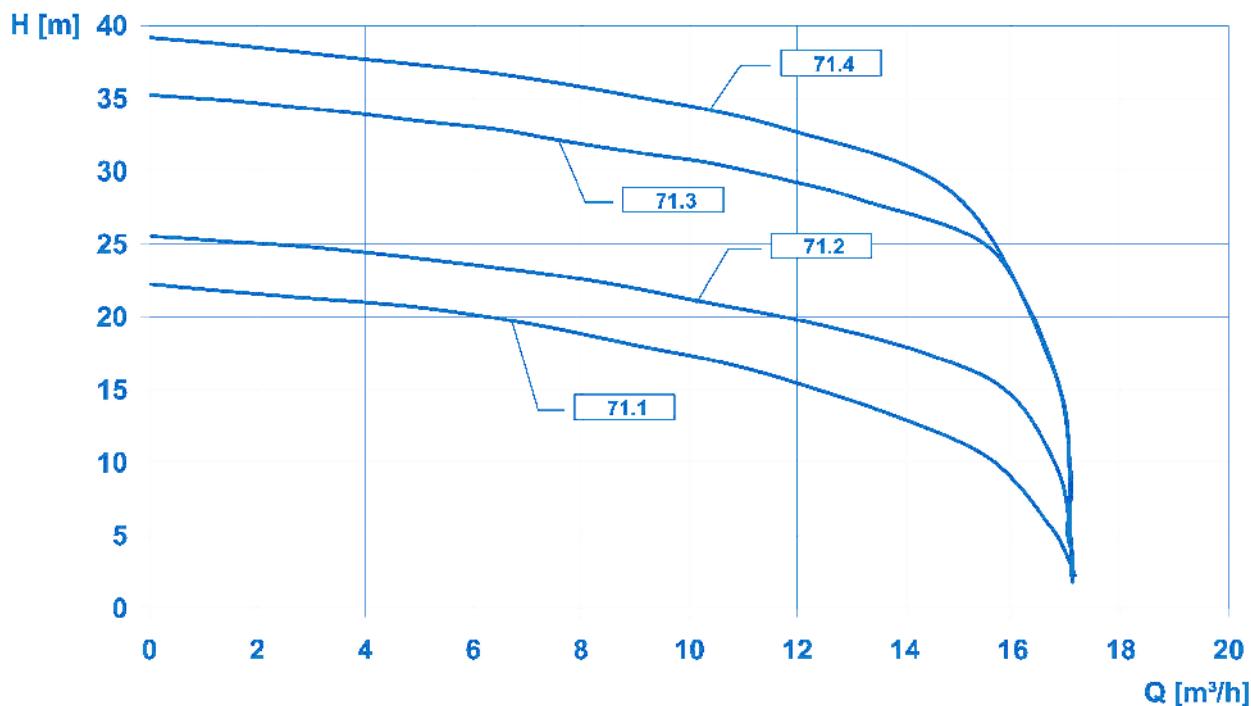
## SANICUBIC® 1 GR



# SANICUBIC® 2 GR



## Anexo B: Diagrama de desempenho

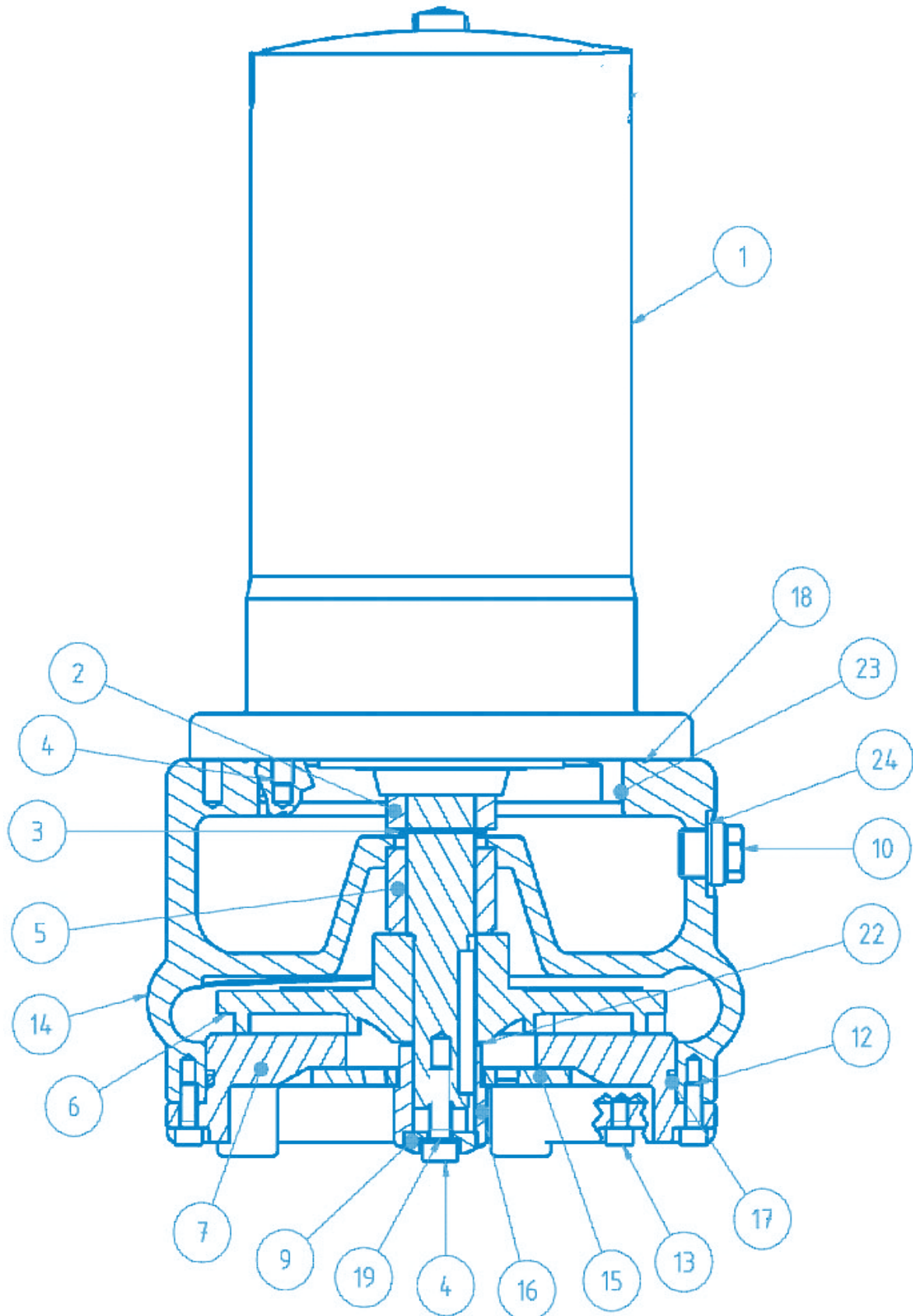


## Anexo C: Lista de peças sobressalentes

Pos.	Unid.	Denominação	Artigo-N.º
	1	Recipiente SANICUBIC® GR SE71	117337
	(1)	Recipiente SANICUBIC® 2 GR SE71	
	1 (2)	Boca de sucção SANICUBIC® GR SE71	17481
	1 (2)	Bico da mangueira reto R 3/8"	117191
	1	Tubo de pitot completo	60219
	1	Tampa de revisão com vedante	117012
	(2)	Tampa de revisão Sistema duplo	
	(2)	Vedante para tampa de revisão Sistema duplo	
	1	Aparelho de comutação SANICUBIC® GR SE71 230 V	200102
	1	Aparelho de comutação SANICUBIC® GR SE71 400 V	255302
	(1)	Aparelho de comutação SANICUBIC® 2 GR SE71 400 V	

## Anexo D: Desenho seccional e lista de peças sobressalentes da bomba

### Desenho seccional



## Lista de peças sobressalentes da bomba

Pos.	Artigo-N.º	Designação	Quantidade
	17749	Bomba para SANICUBIC® 1 GR SE71.1 S	1
	17463	Bomba para SANICUBIC® GR SE71.1 T	1 (2)
	17562	Bomba para SANICUBIC® GR SE71.2 T	1 (2)
	17563	Bomba para SANICUBIC® GR SE71.3 T	1 (2)
	17564	Bomba para SANICUBIC® GR SE71.4 T	1 (2)
1	17587	Motor do pote para SANICUBIC® 1 GR SE71.1 S	1
1	17586	Motor do pote para SANICUBIC® GR SE71.1 T e SE71.2 T	1
1	17588	Motor do pote para SANICUBIC® GR SE71.3 T e SE71.4 T	1
2	17356	GLRD LD1/25-G38 do lado do motor	1
3	11679	Anel de segurança DIN471-A25x1,2	1
4	16381	Parafuso sextavado interior M8x25-A2	5
5	17377	GLRD MG1/25-G6 do lado do meio	1
6	17373	Rotor SANIPUMP® ZFS 71.1 Ø135	1
6	17371	Rotor SANIPUMP® ZFS 71.2 Ø145	1
6	17372	Rotor SANIPUMP® ZFS 71.3 Ø160	1
6	17351	Rotor SANIPUMP® ZFS 71.4 Ø170	1
7	17391	Tampa SANIPUMP® ZFS 71 para estrutura do recipiente	1
8	17109	Parafuso de cabeça escareada M5x10-A2 DIN965	3
9	17352	União roscada da lâmina SANIPUMP® ZFS 71	1
10	11640	Parafuso de aperto, G 3/8 (Ventilação)	1
10	11639	Parafuso de aperto G3/8 DIN910 (óleo)	1
11	11663	Olhal DIN 580-M8-A2	1
12	15320	Parafuso sextavado interior M6x20-A2	4
13	10008	Parafuso sextavado interior M6x10-A2	4
14	17355	Caixa da bomba SANIPUMP® ZFS 71	1
15	17353	Placa de corte SANIPUMP® ZFS 71	1
16	17354	Lâmina de cortar SANIPUMP® ZFS 71	1
17	11822	Junta tórica 160 x 3,5-NBR70	1
18	11629	Junta tórica 147 x 3	1
19	11672	Anel de vedação 8x14x1 Cu	1
20	11659	Alça	1
21	10666	Parafuso sextavado interior M6x12-A2 DIN 912	2
22	17375	Disco de ajuste 10x30x0,1 1.4301	2
22	17376	Disco de ajuste 10x30x0,5 1.4301	2
23	11656	Junta tórica 125x2-NBR70	1
24	11646	Anel de vedação 17x22x1,5 Cu para Pos 230	2
70	11645	Disco dentado de bloqueio S8x13x0,8 A2	4
	11690	Óleo branco técnico Wisura NFW	0,4L

**FRANCE****SOCIÉTÉ FRANÇAISE  
D'ASSAINISSEMENT**

41 Bis, Avenue Bosquet - 75007 Paris  
Tél. + 33 1 44 82 39 00

**UNITED KINGDOM****SANIFLO Ltd.,**

Howard House, The Runway  
South Ruislip Middx.,  
HA4 6SE  
Tel. +44 208 842 0033  
Fax +44 208 842 1671

**IRELAND****SANIRISH Ltd**

IDA Industrial Estate  
Edenderry - County Offaly  
Tel. + 353 46 9733 102  
Fax + 353 46 97 33 093

**AUSTRALIA****Saniflo (Australasia) Pty Ltd**

Unit 9-10, 25 Gibbes Street  
Chatswood  
NSW 2067  
Tel. +61 298 826 200  
Fax +61 298 826 950

**DEUTSCHLAND****SFA SANIBROY GmbH**

Waldstr. 23 Geb. B5  
63128 Dietzenbach  
Tel. (060 74) 30928-0  
Fax (060 74) 30928-90

**ITALIA****SFA ITALIA spa**

Via del Benessere, 9  
27010 Siziano (PV)  
Tel. 03 82 61 81  
Fax 03 82 61 8200

**KOREA**

www.sfa.biz  
sales@saniflo-korea.kr

**ESPAÑA****SFA SI**

C/ del Sant Crist, 21  
P.I. Pla d'En Boet  
08302 Mataró - Barcelona  
Tel. +34 93 544 60 76  
Fax +34 93 462 18 96

**PORTUGAL****SFA, Lda.**

Sintra Business Park, ed. 01-1ºP2710-089  
SINTRA  
Tel. +35 21 911 27 85  
Fax. +35 21 957 70 00

**SUISSE SCHWEIZ SVIZZERA****SFA SANIBROY AG**

Vorstadt 4  
3380 Wangen a.A  
Tel: +41 (0)32 631 04 74  
Fax: +41 (0)32 631 04 75

**BENELUX****SFA BENELUX B.V.**

Industrieweg 1c-d  
6101 WS Echt (NL)  
Tel. +31 475 487100  
Fax +31 475 486515

**SVERIGE****SANIFLO AB**

BOX 797  
S-191 27 Sollentuna  
Tel. +08-404 15 30  
info@saniflo.se

**POLSKA****SFA POLAND Sp. z O.O.**

ul. Białołęcka 168  
03-253 Warszawa  
Tel. (+4822) 732 00 32  
Fax (+4822) 751 35 16

**РОССИЯ****SFA РОССИЯ**

101000 Москва - Колпачный переулок  
9а  
Тел. (495) 258 29 51  
факс (495) 258 29 51

**ČESKÁ REPUBLIKA**

SFA-SANIBROY, spol. s r.o  
Sokolovská 445/212, 180 00 Praha 8  
Tel : +420 266 712 855  
Fax : +420 266 712 856

**ROMANIA****SFA SANIFLO S.R.L.**

145B Foisorului Street District 3  
31177 BUCURESTI  
Tel. +40 787 634 557  
info@saniflo.ro

**TÜRKIYE****SFA SANIHYDRO LTD ŞTİ**

Mecidiye Cad No:36-B Sevencan Apt.  
34394 MECIDIYEKOY - ISTANBUL  
Tel : +90 212 275 30 88  
Fax : +90 212 275 90 58

**CHINA****SFA 中国**

上海市静安区石门二路333弄3号振安广  
场恒安大厦27C室 (200041)  
Tel. +86(0)21 6218 8969  
Fax +86(0)21 6218 8970

**BRAZIL****SFA Brasil Equipamentos Sanitários**

Rua Maria Figueiredo 595,  
CEP : 04002-003 São Paulo, SP  
Tel : (11) 3052-2292  
sanitrit@sanitrit.com.br  
www.sanitrit.com.br

**SOUTH AFRICA****Saniflo Africa (PTY) Ltd**

Unit A6 , Spearhead Business Park  
Cnr. Freedom Way & Montague Drive  
Montague Gardens, 7441  
Tél : +27 (0) 21 286 00 28  
info@saniflo.co.za  
www.saniflo.co.za

**NEW ZEALAND****Saniflo New Zealand Ltd**

PO Box 383 Royal Oak,  
Auckland 1345  
Tel : 09 390 4615  
Fax : +61 2 9882 6950

**SERVICE HELPLINES****France**

Tel. 01 44 82 25 55  
Fax. 03 44 94 46 19

**United Kingdom**

Tel. 08457 650011  
(Call from a land line)  
Fax. 020 8842 1671

**Ireland**

Tel. 1850 23 24 25  
(LOW CALL)  
Fax. + 353 46 97 33 093

**Australia**

Tel. +1300 554 779  
Fax. +61.2.9882.6950

**Deutschland**

Tel. 0800 82 27 82 0  
Fax. (060 74) 30928-90

**Italia**

Tel. 0382 6181  
Fax. +39 0382 618200

**España**

Tel. +34 93 544 60 76  
Fax. +34 93 462 18 96

**Portugal**

Tel. +35 21 911 27 85  
Fax. +35 21 957 70 00

**Suisse Schweiz Svizzera**

Tel. +41 (0)32 631 04 74  
Fax. +41 (0)32 631 04 75

**Benelux**

Tel. +31 475 487100  
Fax. +31 475 486515

**Sverige**

Tel. +08-404 15 30

**Norge**

Tel. +08-404 15 30

**Polska**

Tel. (+4822) 732 00 33  
Fax. (+4822) 751 35 16

**РОССИЯ**

Tel. (495) 258 29 51  
Fax. (495) 258 29 51

**Česká Republika**

Tel. +420 266 712 855  
Fax. +420 266 712 856

**România**

Tel. +40 724 364 543  
service@saniflo.ro

**Türkiye**

Tel. +90 212 275 30 88  
Fax. +90 212 275 90 58

**Brazil**

Tel. (11) 3052-2292

**中国**

Tel. +86(0)21 6218 8969  
Fax. +86(0)21 6218 8970

**South Africa**

Tel. +27 (0) 21 286 00 28